

**2020
Maker Flex Kid's
Table Specifications**

General Information

Maker Flex™ Kid's Height Tables are durable, functional work tables for crafting and creating in program spaces. Powder coated steel table base provides strength and casters provide mobility. Optional: Adjustable glides in lieu of casters. Choose standard laminates from manufacturers listed below. Platinum Metallic powder coated bases are standard. 5% upcharge for other colors.

Maker Flex™ Kid's Height Table Fixed Top Standards:

Fixed Worksurface is NOT reversible and is fixed at the height indicated

Worksurface is 1-1/4" thick MDF with laminate surface & 3mm PVC edging

Worksurface is 24" above finish floor (AFF) with casters

Standard Laminates include Wilsonart, Formica, Pionite and Nevamar

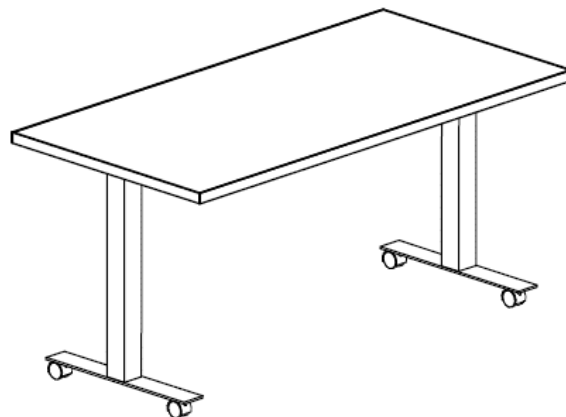


shown with platinum metallic powder coated base

ITEM#	DESCRIPTION	WIDTH	DEPTH	HEIGHT
-------	-------------	-------	-------	--------

maker flex kid's tables	HP Laminate top - kid's height 24" h			
--------------------------------	---	--	--	--

MFC-362424-FIXT-LAM-CAS		36	24	24
MFC-363024-FIXT-LAM-CAS		36	30	24
MFC-363624-FIXT-LAM-CAS		36	36	24
MFC-422424-FIXT-LAM-CAS		42	24	24
MFC-423024-FIXT-LAM-CAS		42	30	24
MFC-423624-FIXT-LAM-CAS		42	36	24
MFC-482424-FIXT-LAM-CAS		48	24	24
MFC-483024-FIXT-LAM-CAS		48	30	24
MFC-483624-FIXT-LAM-CAS		48	36	24
MFC-542424-FIXT-LAM-CAS		54	24	24
MFC-543024-FIXT-LAM-CAS		54	30	24
MFC-543624-FIXT-LAM-CAS		54	36	24
MFC-602424-FIXT-LAM-CAS		60	24	24
MFC-603024-FIXT-LAM-CAS		60	30	24
MFC-603624-FIXT-LAM-CAS		60	36	24
MFC-662424-FIXT-LAM-CAS		66	24	24
MFC-663024-FIXT-LAM-CAS		66	30	24
MFC-663624-FIXT-LAM-CAS		66	36	24
MFC-722424-FIXT-LAM-CAS		72	24	24
MFC-723024-FIXT-LAM-CAS		72	30	24
MFC-723624-FIXT-LAM-CAS		72	36	24



Fixed kid's height (24" AFF) / caster base

2020
Maker Flex Kid's
Table Specifications

General Information

Maker Flex™ Kid's Tables are durable, functional work tables for crafting and creating in program spaces. Powder coated steel table base provides strength and casters provide mobility. Optional: Adjustable glides in lieu of casters. Choose standard laminates from manufacturers listed below. Multiple powder coat finish options available for frames.

Maker Flex™ Kid's Nesting / Flip Top - Fixed Height Standards:

Nesting / Flip top Worksurface is fixed at the height indicated

Worksurface is 1-1/4" thick MDF with laminate surface & 3mm PVC edging

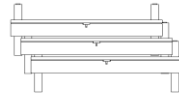
Worksurface is 24" above finish floor (AFF) with casters

Standard Laminates include Wilsonart, Formica, Pionite and Nevamar

Tables that are 36" deep with have two (2) release handles



shown with platinum metallic powder coated base



24" deep storage depth = 18" + (# tables - 1) x 7.25"

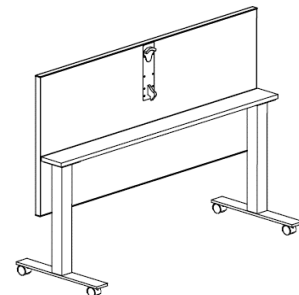
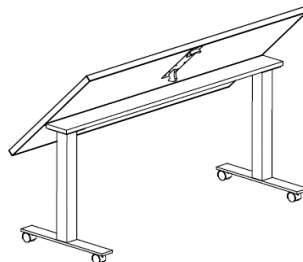
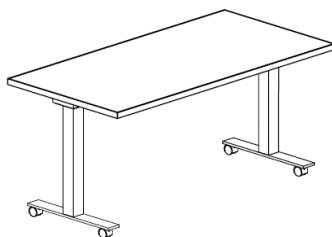
30" deep storage depth = 22" + (# tables - 1) x 7.25"

36" deep storage depth = 26" + (# tables - 1) x 7.25"

ITEM#	DESCRIPTION	WIDTH	DEPTH	HEIGHT
-------	-------------	-------	-------	--------

maker flex kid's tables HP Laminate top - nesting / kid's height 24"h

MFC-362424-NEST-FIXT-LAM-CAS		36	24	24
MFC-363024-NEST-FIXT-LAM-CAS		36	30	24
MFC-363624-NEST-FIXT-LAM-CAS		36	36	24
MFC-422424-NEST-FIXT-LAM-CAS		42	24	24
MFC-423024-NEST-FIXT-LAM-CAS		42	30	24
MFC-423624-NEST-FIXT-LAM-CAS		42	36	24
MFC-482424-NEST-FIXT-LAM-CAS		48	24	24
MFC-483024-NEST-FIXT-LAM-CAS		48	30	24
MFC-483624-NEST-FIXT-LAM-CAS		48	36	24
MFC-542424-NEST-FIXT-LAM-CAS		54	24	24
MFC-543024-NEST-FIXT-LAM-CAS		54	30	24
MFC-543624-NEST-FIXT-LAM-CAS		54	36	24
MFC-602424-NEST-FIXT-LAM-CAS		60	24	24
MFC-603024-NEST-FIXT-LAM-CAS		60	30	24
MFC-603624-NEST-FIXT-LAM-CAS		60	36	24
MFC-662424-NEST-FIXT-LAM-CAS		66	24	24
MFC-663024-NEST-FIXT-LAM-CAS		66	30	24
MFC-663624-NEST-FIXT-LAM-CAS		66	36	24
MFC-722424-NEST-FIXT-LAM-CAS		72	24	24
MFC-723024-NEST-FIXT-LAM-CAS		72	30	24
MFC-723624-NEST-FIXT-LAM-CAS		72	36	24



Nesting - Fixed kid's height (24" AFF) / caster base

**2020
Maker Flex Kid's
Table Specifications**

General Information

Maker Flex™ Kid's Tables are durable, functional work tables for crafting and creating in program spaces. Work surface height is easily changed with retractable hand crank. Powder coated steel table base provides strength and casters provide mobility. Optional: Adjustable glides in lieu of casters. Choose standard laminates from manufacturers listed below. Platinum Metallic powder coated bases are standard. 5% upcharge for other colors.

Maker Flex™ Kid's Table Height-adjustable Top Standards:

Height-adjustable Worksurface range is 24" - 34". Retractable hand crank located on patron side of table.

Worksurface is 1-1/4" thick MDF with laminate surface & 3mm PVC edging

Worksurface starts at 24" above finish floor (AFF) with casters
Standard Laminates include Wilsonart, Formica, Pionite and Nevamar

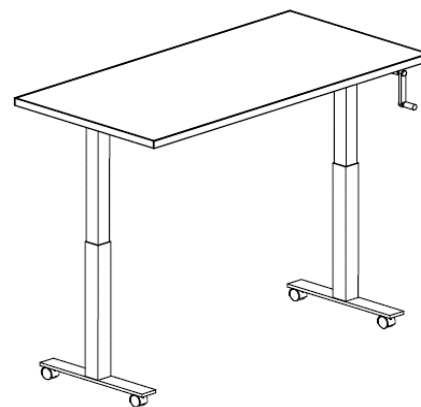
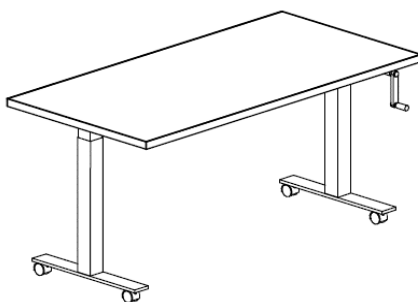


shown with platinum metallic powder coated base

ITEM#	DESCRIPTION	WIDTH	DEPTH	HEIGHT
-------	-------------	-------	-------	--------

maker flex kid's tables HP Laminate top - adjustable height 24" - 34"h

MFC-3624-ADJT-LAM-CAS		36	24	24 - 34
MFC-3630-ADJT-LAM-CAS		36	30	24 - 34
MFC-3636-ADJT-LAM-CAS		36	36	24 - 34
MFC-4224-ADJT-LAM-CAS		42	24	24 - 34
MFC-4230-ADJT-LAM-CAS		42	30	24 - 34
MFC-4236-ADJT-LAM-CAS		42	36	24 - 34
MFC-4824-ADJT-LAM-CAS		48	24	24 - 34
MFC-4830-ADJT-LAM-CAS		48	30	24 - 34
MFC-4836-ADJT-LAM-CAS		48	36	24 - 34
MFC-5424-ADJT-LAM-CAS		54	24	24 - 34
MFC-5430-ADJT-LAM-CAS		54	30	24 - 34
MFC-5436-ADJT-LAM-CAS		54	36	24 - 34
MFC-6024-ADJT-LAM-CAS		60	24	24 - 34
MFC-6030-ADJT-LAM-CAS		60	30	24 - 34
MFC-6036-ADJT-LAM-CAS		60	36	24 - 34
MFC-6624-ADJT-LAM-CAS		66	24	24 - 34
MFC-6630-ADJT-LAM-CAS		66	30	24 - 34
MFC-6636-ADJT-LAM-CAS		66	36	24 - 34
MFC-7224-ADJT-LAM-CAS		72	24	24 - 34
MFC-7230-ADJT-LAM-CAS		72	30	24 - 34
MFC-7236-ADJT-LAM-CAS		72	36	24 - 34



Hand-crank, adjustable height (24" - 34" AFF) / caster base

2020
**Maker Flex Kid's
Table Specifications**

P: 847-291-3900 F: 847-291-3901

General Information

Maker Flex™ Kid's Tables are durable, functional work tables for crafting and creating in program spaces. Nesting / Flip-top option allows for space saving nested storage. Powder coated steel table base provides strength and casters provide mobility. Optional: Adjustable glides in lieu of casters. Choose standard laminates from manufacturers listed below. Platinum Metallic powder coated bases are standard. 5% upcharge for other colors.

Maker Flex™ Kid's Table Nesting / Flip-Top Standards:

Height-adjustable Worksurface range is 24" - 34". Retractable hand crank located at the end of table.

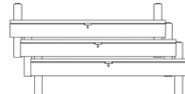
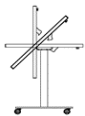
Worksurface is 1-1/4" thick MDF with laminate surface & 3mm PVC edging

Worksurface starts at 24" above finish floor (AFF) with casters

Standard Laminates include Wilsonart, Formica, Pionite and Nevamar



shown with platinum metallic powder coated base

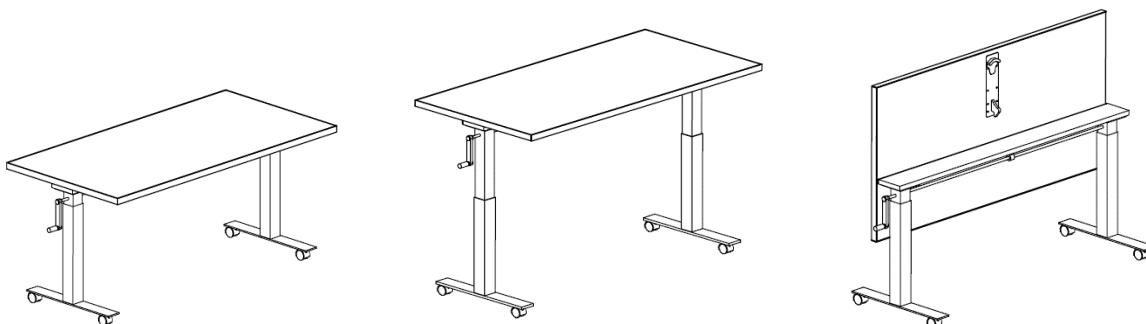


24" deep storage depth = 18" + (# tables - 1) x 7.25"
30" deep storage depth = 22" + (# tables - 1) x 7.25"
36" deep storage depth = 26" + (# tables - 1) x 7.25"

ITEM#	DESCRIPTION	WIDTH	DEPTH	HEIGHT
-------	-------------	-------	-------	--------

maker flex kid's tables HP Laminate top - nesting / adjustable height 24" - 34"h

MFC-3624-NEST-ADJT-LAM-CAS		36	24	24 - 34
MFC-3630-NEST-ADJT-LAM-CAS		36	30	24 - 34
MFC-3636-NEST-ADJT-LAM-CAS		36	36	24 - 34
MFC-4224-NEST-ADJT-LAM-CAS		42	24	24 - 34
MFC-4230-NEST-ADJT-LAM-CAS		42	30	24 - 34
MFC-4236-NEST-ADJT-LAM-CAS		42	36	24 - 34
MFC-4824-NEST-ADJT-LAM-CAS		48	24	24 - 34
MFC-4830-NEST-ADJT-LAM-CAS		48	30	24 - 34
MFC-4836-NEST-ADJT-LAM-CAS		48	36	24 - 34
MFC-5424-NEST-ADJT-LAM-CAS		54	24	24 - 34
MFC-5430-NEST-ADJT-LAM-CAS		54	30	24 - 34
MFC-5436-NEST-ADJT-LAM-CAS		54	36	24 - 34
MFC-6024-NEST-ADJT-LAM-CAS		60	24	24 - 34
MFC-6030-NEST-ADJT-LAM-CAS		60	30	24 - 34
MFC-6036-NEST-ADJT-LAM-CAS		60	36	24 - 34
MFC-6624-NEST-ADJT-LAM-CAS		66	24	24 - 34
MFC-6630-NEST-ADJT-LAM-CAS		66	30	24 - 34
MFC-6636-NEST-ADJT-LAM-CAS		66	36	24 - 34
MFC-7224-NEST-ADJT-LAM-CAS		72	24	24 - 34
MFC-7230-NEST-ADJT-LAM-CAS		72	30	24 - 34
MFC-7236-NEST-ADJT-LAM-CAS		72	36	24 - 34



Nesting Flip-top, hand-crank, adjustable height (24" - 34" AFF) / caster base

2020
**Maker Flex Kid's
Table Specifications**

P: 847-291-3900 F: 847-291-3901

General Information

Maker Flex™ Kid's Tables are durable, functional work tables for crafting and creating in program spaces. Powder coated steel table base provides strength and casters provide mobility. Optional: Adjustable glides in lieu of casters. Tops are solid maple butcher block. Platinum Metallic powder coated bases are standard. 5% upcharge for other colors.

Maker Flex™ Kid's Height Table Fixed Top Standards:

Fixed Worksurface is NOT reversible and is fixed at the height indicated

Worksurface is 1-1/2" thick maple butcher block with eased corners & edges

Worksurface is 24" above finish floor (AFF) with casters

Standard butcher block is made from solid maple

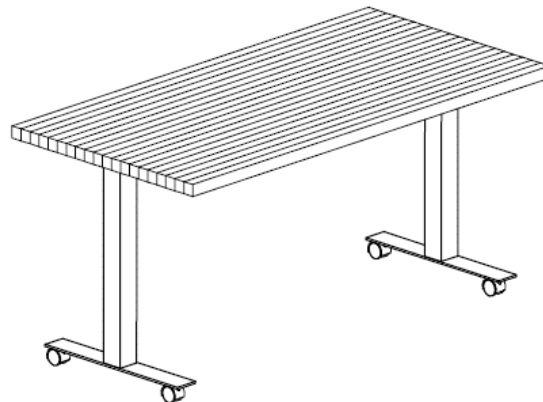


shown with platinum metallic powder coated base

ITEM#	DESCRIPTION	WIDTH	DEPTH	HEIGHT
-------	-------------	-------	-------	--------

maker flex kid's tables Maple Butcher Block top - kid's height 24"h

MFC-362424-FIXT-BBK-CAS		36	24	24
MFC-363024-FIXT-BBK-CAS		36	30	24
MFC-363624-FIXT-BBK-CAS		36	36	24
MFC-422424-FIXT-BBK-CAS		42	24	24
MFC-423024-FIXT-BBK-CAS		42	30	24
MFC-423624-FIXT-BBK-CAS		42	36	24
MFC-482424-FIXT-BBK-CAS		48	24	24
MFC-483024-FIXT-BBK-CAS		48	30	24
MFC-483624-FIXT-BBK-CAS		48	36	24
MFC-542424-FIXT-BBK-CAS		54	24	24
MFC-543024-FIXT-BBK-CAS		54	30	24
MFC-543624-FIXT-BBK-CAS		54	36	24
MFC-602424-FIXT-BBK-CAS		60	24	24
MFC-603024-FIXT-BBK-CAS		60	30	24
MFC-603624-FIXT-BBK-CAS		60	36	24
MFC-662424-FIXT-BBK-CAS		66	24	24
MFC-663024-FIXT-BBK-CAS		66	30	24
MFC-663624-FIXT-BBK-CAS		66	36	24
MFC-722424-FIXT-BBK-CAS		72	24	24
MFC-723024-FIXT-BBK-CAS		72	30	24
MFC-723624-FIXT-BBK-CAS		72	36	24



Fixed kid's height (24" AFF) / caster base

2020
Maker Flex Kid's
Table Specifications

General Information

Maker Flex™ Kid's Tables are durable, functional work tables for crafting and creating in program spaces. Powder coated steel table base provides strength and casters provide mobility. Optional: Adjustable glides in lieu of casters. Tops are solid maple butcher block. Platinum Metallic powder coated bases are standard. 5% upcharge for other colors.

Maker Flex™ Kid's Nesting / Flip-Top - Fixed Height Standards:

Nesting / Flip top Worksurface is fixed at the height indicated

Worksurface is 1-1/2" thick maple butcher block with eased corners & edges

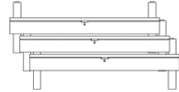
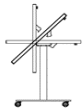
Worksurface is 24" above finish floor (AFF) with casters

Standard butcher block is made from solid maple

Tables that are 36" deep with have two (2) release handles



shown with platinum metallic powder coated base



24" deep storage depth = 18" + (# tables - 1) x 7.25"

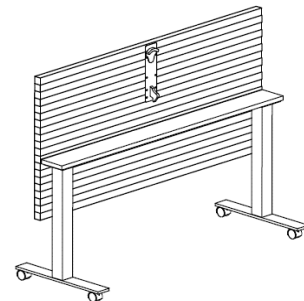
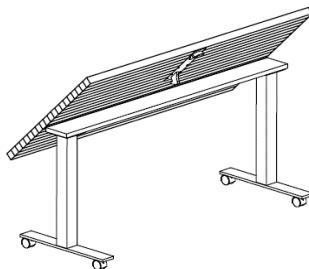
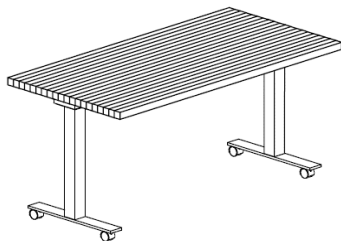
30" deep storage depth = 22" + (# tables - 1) x 7.25"

36" deep storage depth = 26" + (# tables - 1) x 7.25"

ITEM#	DESCRIPTION	WIDTH	DEPTH	HEIGHT
-------	-------------	-------	-------	--------

maker flex kid's tables Maple Butcher Block top - nesting / kid's height 24"h

MFC-362424-NEST-FIXT-BBK-CAS		36	24	24
MFC-363024-NEST-FIXT-BBK-CAS		36	30	24
MFC-363624-NEST-FIXT-BBK-CAS		36	36	24
MFC-422424-NEST-FIXT-BBK-CAS		42	24	24
MFC-423024-NEST-FIXT-BBK-CAS		42	30	24
MFC-423624-NEST-FIXT-BBK-CAS		42	36	24
MFC-482424-NEST-FIXT-BBK-CAS		48	24	24
MFC-483024-NEST-FIXT-BBK-CAS		48	30	24
MFC-483624-NEST-FIXT-BBK-CAS		48	36	24
MFC-542424-NEST-FIXT-BBK-CAS		54	24	24
MFC-543024-NEST-FIXT-BBK-CAS		54	30	24
MFC-543624-NEST-FIXT-BBK-CAS		54	36	24
MFC-602424-NEST-FIXT-BBK-CAS		60	24	24
MFC-603024-NEST-FIXT-BBK-CAS		60	30	24
MFC-603624-NEST-FIXT-BBK-CAS		60	36	24
MFC-662424-NEST-FIXT-BBK-CAS		66	24	24
MFC-663024-NEST-FIXT-BBK-CAS		66	30	24
MFC-663624-NEST-FIXT-BBK-CAS		66	36	24
MFC-722424-NEST-FIXT-BBK-CAS		72	24	24
MFC-723024-NEST-FIXT-BBK-CAS		72	30	24
MFC-723624-NEST-FIXT-BBK-CAS		72	36	24



Nesting - Fixed kid's height (24" AFF) / caster base

**2020
Maker Flex Kid's
Table Specifications**

General Information

Maker Flex™ Kid's Tables are durable, functional work tables for crafting and creating in program spaces. Work surface height is easily changed with retractable hand crank. Powder coated steel table base provides strength and casters provide mobility. Optional: Adjustable glides in lieu of casters. Tops are solid maple butcher block. Platinum Metallic powder coated bases are standard. 5% upcharge for other colors.

Maker Flex™ Kid's Table Height-adjustable Top Standards:

Height-adjustable Worksurface range is 29" - 47". Retractable hand crank located on patron side of table.

Worksurface is 1-1/2" thick maple butcher block with eased corners & edges

Worksurface starts at 24" above finish floor (AFF) with casters

Standard butcher block is made from solid maple

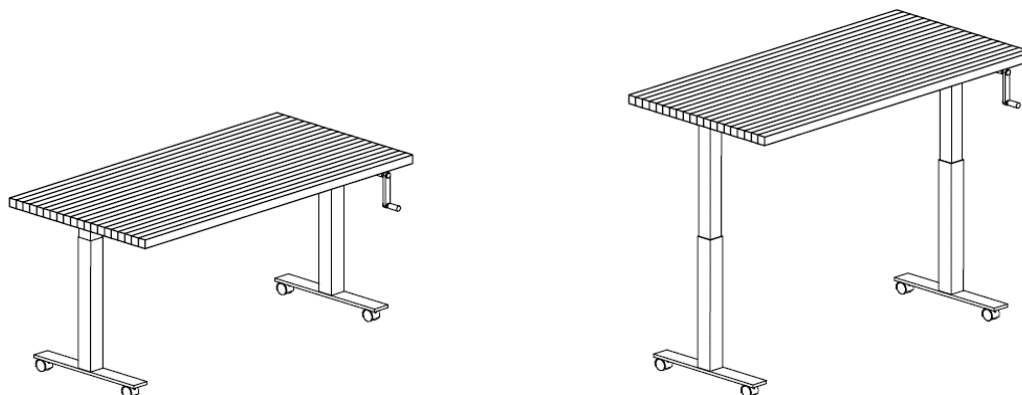


shown with platinum metallic powder coated base

ITEM#	DESCRIPTION	WIDTH	DEPTH	HEIGHT
-------	-------------	-------	-------	--------

maker flex kid's tables Maple Butcher Block top - adjustable height 24"-34"h

MFC-3624-ADJT-BBK-CAS		36	24	24 - 34
MFC-3630-ADJT-BBK-CAS		36	30	24 - 34
MFC-3636-ADJT-BBK-CAS		36	36	24 - 34
MFC-4224-ADJT-BBK-CAS		42	24	24 - 34
MFC-4230-ADJT-BBK-CAS		42	30	24 - 34
MFC-4236-ADJT-BBK-CAS		42	36	24 - 34
MFC-4824-ADJT-BBK-CAS		48	24	24 - 34
MFC-4830-ADJT-BBK-CAS		48	30	24 - 34
MFC-4836-ADJT-BBK-CAS		48	36	24 - 34
MFC-5424-ADJT-BBK-CAS		54	24	24 - 34
MFC-5430-ADJT-BBK-CAS		54	30	24 - 34
MFC-5436-ADJT-BBK-CAS		54	36	24 - 34
MFC-6024-ADJT-BBK-CAS		60	24	24 - 34
MFC-6030-ADJT-BBK-CAS		60	30	24 - 34
MFC-6036-ADJT-BBK-CAS		60	36	24 - 34
MFC-6624-ADJT-BBK-CAS		66	24	24 - 34
MFC-6630-ADJT-BBK-CAS		66	30	24 - 34
MFC-6636-ADJT-BBK-CAS		66	36	24 - 34
MFC-7224-ADJT-BBK-CAS		72	24	24 - 34
MFC-7230-ADJT-BBK-CAS		72	30	24 - 34
MFC-7236-ADJT-BBK-CAS		72	36	24 - 34



Hand-crank, adjustable height (24" - 34" AFF) / caster base

2020
**Maker Flex Kid's
Table Specifications**

P: 847-291-3900 F: 847-291-3901

General Information

Maker Flex™ Kid's Tables are durable, functional work tables for crafting and creating in program spaces. Nesting / Flip-top option allows for space saving nested storage. Powder coated steel table base provides strength and casters provide mobility. Optional: Adjustable glides in lieu of casters. Tops are solid maple butcher block. Platinum Metallic powder coated bases are standard. 5% upcharge for other colors.

Maker Flex™ Kid's Table Nesting / Flip-Top Standards:

Height-adjustable Worksurface range is 24" - 34". Retractable hand crank located at the end of table.

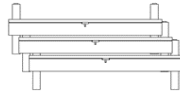
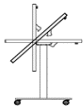
Worksurface is 1-1/2" thick maple butcher block with eased corners & edges

Worksurface starts at 24" above finish floor (AFF) with casters

Standard butcher block is made from solid maple



shown with platinum metallic powder coated base



24" deep storage depth = 18" + (# tables - 1) x 7.25"

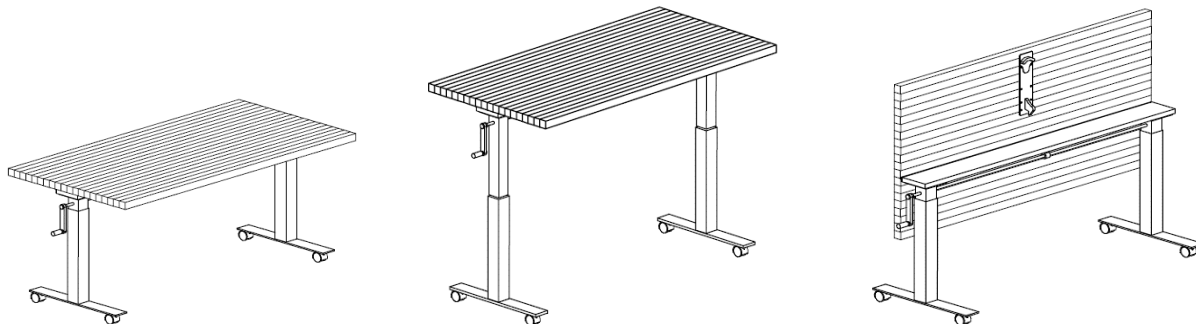
30" deep storage depth = 22" + (# tables - 1) x 7.25"

36" deep storage depth = 26" + (# tables - 1) x 7.25"

ITEM#	DESCRIPTION	WIDTH	DEPTH	HEIGHT
-------	-------------	-------	-------	--------

maker flex kid's tables Maple Butcher Block top - nesting / adjustable height 24"-34"h

MFC-3624-NEST-ADJT-BBK-CAS		36	24	24 - 34
MFC-3630-NEST-ADJT-BBK-CAS		36	30	24 - 34
MFC-3636-NEST-ADJT-BBK-CAS		36	36	24 - 34
MFC-4224-NEST-ADJT-BBK-CAS		42	24	24 - 34
MFC-4230-NEST-ADJT-BBK-CAS		42	30	24 - 34
MFC-4236-NEST-ADJT-BBK-CAS		42	36	24 - 34
MFC-4824-NEST-ADJT-BBK-CAS		48	24	24 - 34
MFC-4830-NEST-ADJT-BBK-CAS		48	30	24 - 34
MFC-4836-NEST-ADJT-BBK-CAS		48	36	24 - 34
MFC-5424-NEST-ADJT-BBK-CAS		54	24	24 - 34
MFC-5430-NEST-ADJT-BBK-CAS		54	30	24 - 34
MFC-5436-NEST-ADJT-BBK-CAS		54	36	24 - 34
MFC-6024-NEST-ADJT-BBK-CAS		60	24	24 - 34
MFC-6030-NEST-ADJT-BBK-CAS		60	30	24 - 34
MFC-6036-NEST-ADJT-BBK-CAS		60	36	24 - 34
MFC-6624-NEST-ADJT-BBK-CAS		66	24	24 - 34
MFC-6630-NEST-ADJT-BBK-CAS		66	30	24 - 34
MFC-6636-NEST-ADJT-BBK-CAS		66	36	24 - 34
MFC-7224-NEST-ADJT-BBK-CAS		72	24	24 - 34
MFC-7230-NEST-ADJT-BBK-CAS		72	30	24 - 34
MFC-7236-NEST-ADJT-BBK-CAS		72	36	24 - 34



Nesting Flip-top, hand-crank, adjustable height (24" - 34" AFF) / caster base