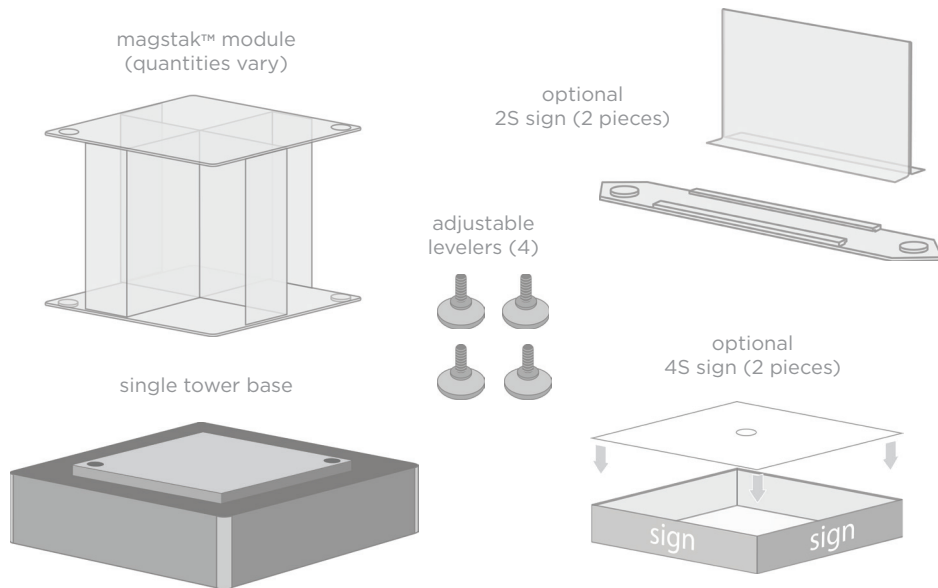


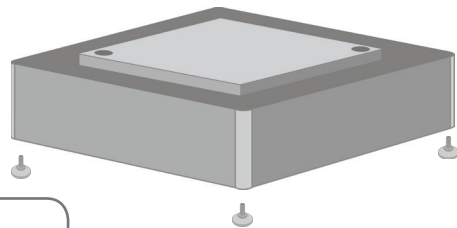
magstak™ single tower display

assembly instructions

1 Remove items from packaging and check packing slip for proper content and quantity.

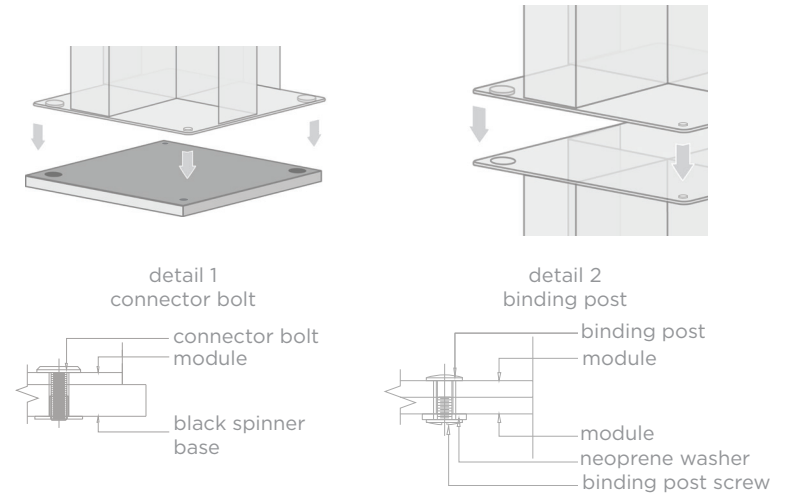


2 Tightly screw (4) adjustable levelers into bottom of single tower base before assembling.



Safety Warning: Tower bases are heavy! Use two people when installing levelers into bottom of base.

3 Stack one magstak™ module on top of the spinner base using the alignment disks that set into alignment ports as shown below.

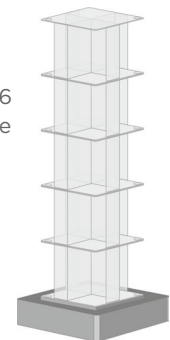


4 Optional: connect bottom module to spinner base using connector bolts (see detail 1). Stack second module in same fashion and connect the two modules using the binding post, neoprene washer and binding screw (see detail 2) to ensure a secure and stable fit. Do not over tighten!

completed tower

NOTE: Towers with standard modules are 6 modules high. Towers with tall modules are 5 modules high (pictured). Towers with magazine modules are 4 modules high. Signage is optional.

See care instructions for proper care and handling of product.

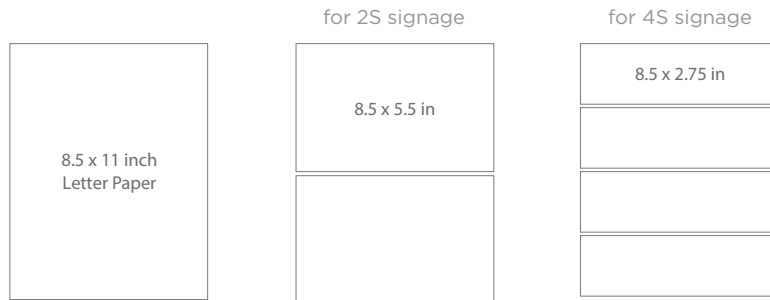


5 See optional magstak™ signage assembly instruction on reverse/page 2.

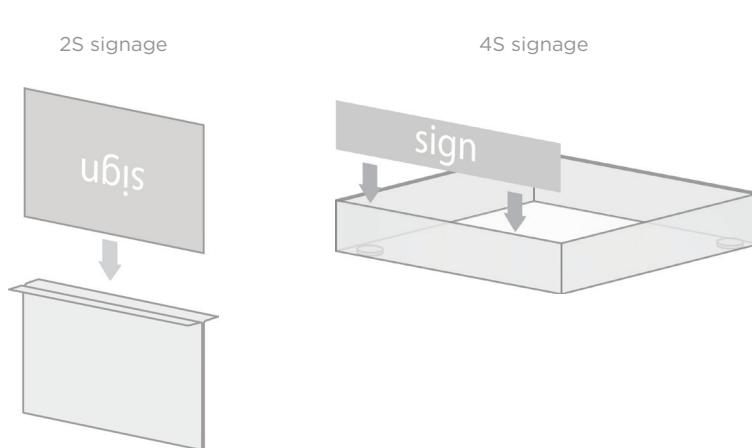
optional magstak™ signage

assembly instructions

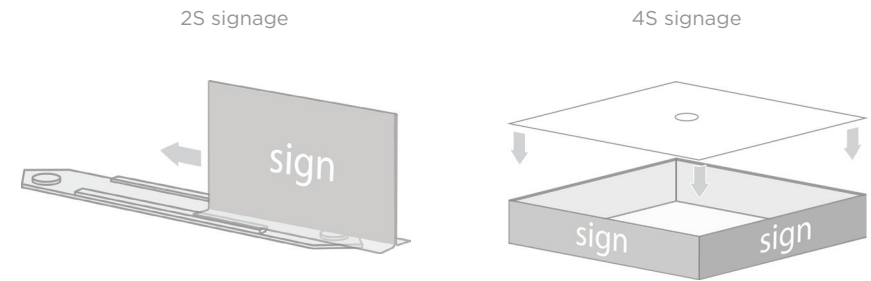
1 You can use one standard 8.5 x 11 inch piece of paper to satisfy all of your signage needs. See options below.



2 Insert your printed signage into appropriate holder as shown below.



3 Combine signage components.



4 Place signage on top-most magstak™ module, making sure to connect alignment discs with alignment ports.

