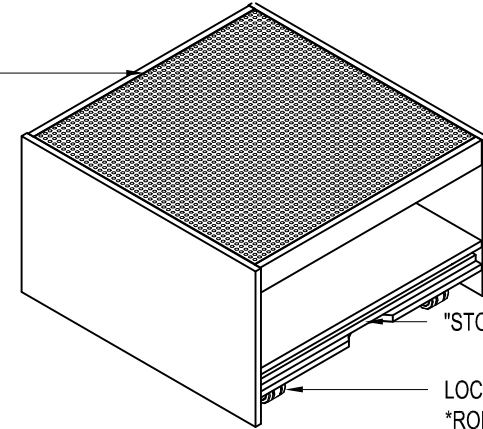


REV #	REVISION DESCRIPTION	DATE
*	*	*

# MINI TABLE ASSEMBLY INSTRUCTIONS

NOTE: THE STANDARD MINI TABLE IS CONFIGURED WITH TWO REMOVABLE & REVERSIBLE TOPS THAT CAN EASILY BE SWITCHED OUT AT ANY TIME.

"ACTIVE" TOP IN PLACE



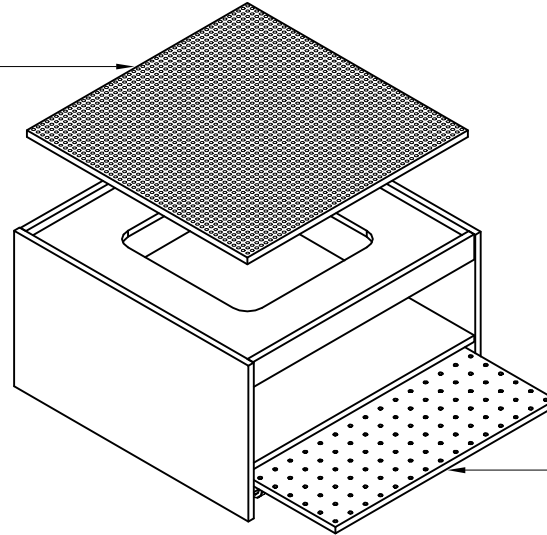
"STORED" TOP IN PLACE

LOCKING CASTERS (x4)  
\*ROLL TABLE INTO POSITION & LOCK CASTERS TO PREVENT MOVEMENT. NOTE: CASTERS ARE ACCESSIBLE FROM THE FRONT & BACK SIDES

## ASSEMBLED TABLE W/TOPS

"ACTIVE" TOP

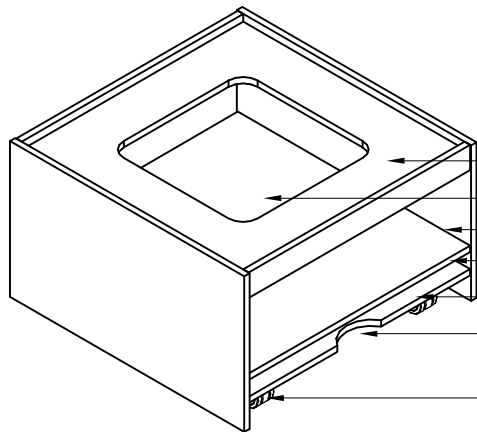
\*INSTALL TOP BY PLACING OVER OPENING IN TABLE & GENTLY LOWERING INTO THE CAVITY SO THAT IT RESTS ON THE RECESSED SUB-TOP  
\*REMOVE TOP BY REACHING INTO OPENING BELOW TOP APRON & PUSH TOP UP BY USING THE ACCESS HOLE IN THE SUB-TOP



## TOP INSTALLATION & REMOVAL

"STORED" TOP

\*STORE TOP BY GENTLY SLIDING INTO COMPARTMENT LOCATED BETWEEN SHELF & BOTTOM PANEL & PUSHING UNTIL IT HITS THE BACK STOP.  
\*REMOVE "STORED" TOP BY GRIPPING IT @ THE CENTER THRU THE NOTCH LOCATED IN THE BOTTOM PANEL & SLIDING IT FORWARD OUT OF THE COMPARTMENT



- RECESSED SUB-TOP
- CUT-OUT FOR ACCESS TO TOP
- OPENING TO STORE TOYS
- FIXED SHELF
- STORAGE COMPARTMENT FOR SECOND TOP
- NOTCH IN BOTTOM PANEL FOR HAND-HOLD TO REMOVE "STORED" TOP
- LOCKING CASTERS

TABLE W/O TOPS

PROJECT ITEM #

DISCOVERY COLLECTION

**3branch**  
product design solutions

P 847.291.3900  
F 847.291.3901  
www.3branch.com

PROJECT# \*  
PROJECT: STANDARD DRAWING

3branch ITEM # DS-4702  
DESCRIPTION: MINI TABLE W/OPEN SHELF & TOP STORAGE

DIMENSIONS: 31 7/8"W X 32 1/8"D X 19"H

DATE: 04.26.18

DRAWN BY: 3branch

SCALE: AS NOTED

DRAWING # DS-4702-ASSEMBLY

REVISION # 0

SHEET 1 OF 1