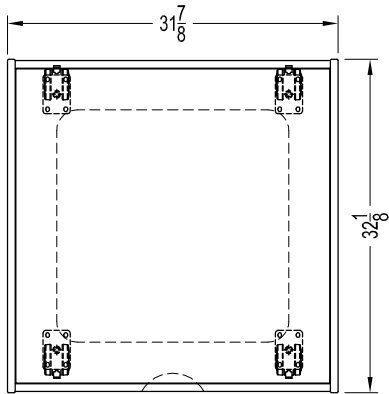
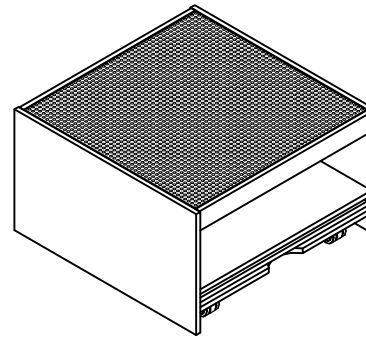


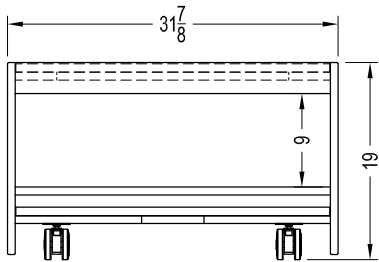
REV #	REVISION DESCRIPTION	DATE
*	*	*



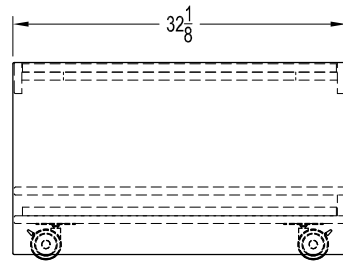
PLAN VIEW



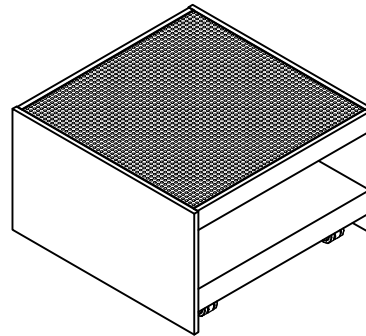
3D MODEL- FRONT



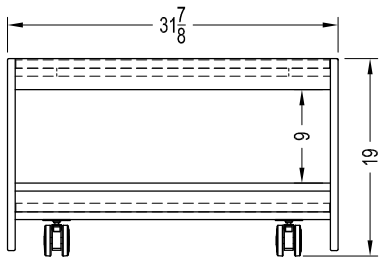
FRONT VIEW
SCALE: 3/4"= 1'-0"



RIGHT END VIEW



3D MODEL- BACK



BACK VIEW

PROJECT ITEM #
QTY=

DISCOVERY COLLECTION

3branch
product design solutions

P 847.291.3900
F 847.291.3901
www.3branch.com

PROJECT# *
PROJECT: STANDARD DRAWING

3branch ITEM # DS-4702
DESCRIPTION: MINI TABLE W/OPEN SHELF & TOP STORAGE

DIMENSIONS: 31 7/8"W X 32 1/8"D X 19"H

DATE: 04.26.18

DRAWN BY: 3branch

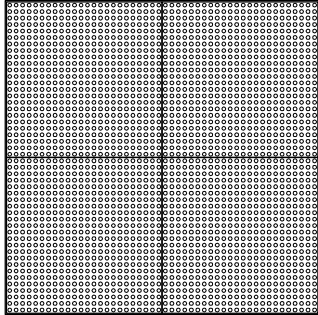
SCALE: AS NOTED

DRAWING # DS-4702-CLIENT

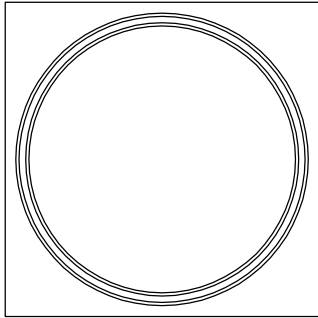
REVISION # 0

SHEET 1 OF 3

REV #	REVISION DESCRIPTION	DATE
*	*	*



PLAN VIEW- TOP FACE



PLAN VIEW- BOTTOM FACE

LEGO/TRAIN TRACK REVERSIBLE TOP

PROJECT ITEM #

DISCOVERY COLLECTION

3branch
product design solutions

P 847.291.3900
F 847.291.3901
www.3branch.com

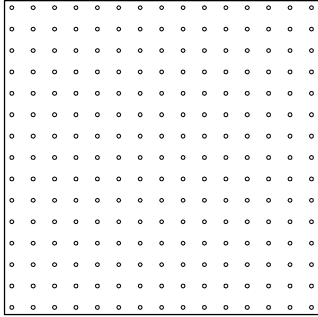
PROJECT# *
PROJECT: STANDARD DRAWING

3branch ITEM # DS-4702
DESCRIPTION: MINI TABLE W/OPEN SHELF & TOP STORAGE

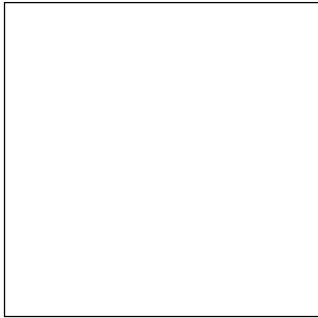
DIMENSIONS: 31 7/8"W X 32 1/8"D X 19"H

DATE: 04.26.18	DRAWN BY: 3branch	SCALE: AS NOTED	DRAWING # DS-4702-CLIENT	REVISION # 0	SHEET 2 OF 3
----------------	-------------------	-----------------	--------------------------	--------------	--------------

REV #	REVISION DESCRIPTION	DATE
*	*	*



PLAN VIEW- TOP FACE



PLAN VIEW- BOTTOM FACE

TINKER TOY/FLAT SURFACE REVERSIBLE TOP

PROJECT ITEM #

DISCOVERY COLLECTION

3branch
product design solutions

P 847.291.3900
F 847.291.3901
www.3branch.com

PROJECT# *
PROJECT: STANDARD DRAWING

3branch ITEM # DS-4702
DESCRIPTION: MINI TABLE W/OPEN SHELF & TOP STORAGE

DIMENSIONS: 31 7/8"W X 32 1/8"D X 19"H

DATE: 04.26.18	DRAWN BY: 3branch	SCALE: AS NOTED	DRAWING # DS-4702-CLIENT	REVISION # 0	SHEET 3 OF 3
----------------	-------------------	-----------------	--------------------------	--------------	--------------