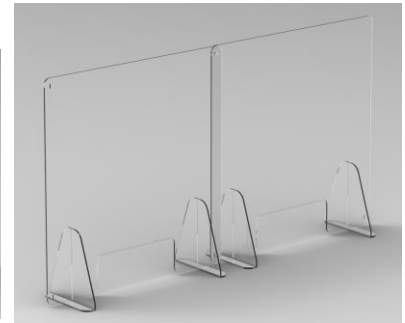


Freestanding Shield

The Freestanding Shield is a clear, movable barrier that can be set up quickly to provide protection for staff members where needed. It is 30" or 36" high, includes a transaction slot at the base and comes with non-skid rubber discs that keep it in place on the counter surface. Shields are able to be ganged together using the slots and connector bolt hardware included. Transaction slots are 16" wide by 6" high (14" wide for 24" wide version) for easy transfer of materials. Made from clear, cast acrylic.

Shield Standards:

Fixed Height available in 30" & 36" high above countertop
Material is clear, cast acrylic with smooth edges & radius corners
Includes non-skid rubber discs (use is optional)
Includes 2 sets of ganging hardware to connect 2 shields together
Sets up quickly and is easily relocated



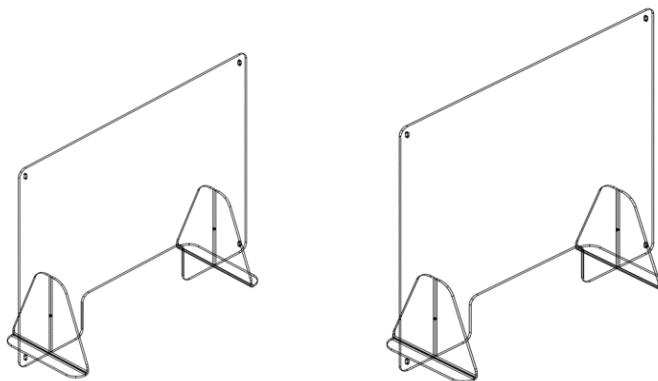
36" w x 36" h shown

ITEM#	DESCRIPTION	WIDTH	DEPTH	HEIGHT
-------	-------------	-------	-------	--------

Freestanding Shield

Mobile, clear acrylic shield for use on desks, counters or tables

SH-POS-SP-2430	30" high	24	12	30
SH-POS-SP-3030		30	12	30
SH-POS-SP-3230		32	12	30
SH-POS-SP-3630		36	12	30
SH-POS-SP-2436	36" high	24	12	36
SH-POS-SP-3036		30	12	36
SH-POS-SP-3236		32	12	36
SH-POS-SP-3636		36	12	36



36" w x 30" h & 36" w x 36" h line drawings shown

Permanent Shield

The Permanent Shield is a clear, fixed barrier that can be set up quickly to provide protection for staff members where needed. It is 30" or 36" high, includes a transaction slot at the base and comes with all the mounting hardware required. Mounting posts are made from aluminum. Transaction slots are 16" wide by 6" high (14" wide for 24" wide version) for easy transfer of materials. Made from clear, cast acrylic.

Shield Standards:

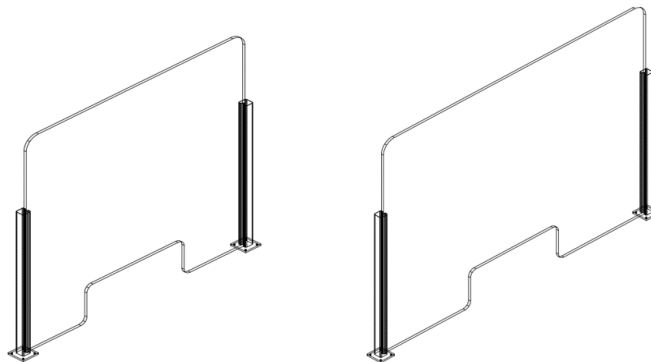
Fixed Height available in 30" & 36" high above countertop
Material is clear, cast acrylic with smooth edges & radius corners
Includes 24" or 30" high mounting posts & hardware
Installs quickly



ITEM#	DESCRIPTION	WIDTH	DEPTH	HEIGHT
-------	-------------	-------	-------	--------

Permanent Shield	Fixed, clear acrylic shield for use on desks, countertops or tables. Hardware and aluminum posts supplied.
-------------------------	---

SH-POS-RF-2430	30" high	24	2	30
SH-POS-RF-3030		30	2	30
SH-POS-RF-3230		32	2	30
SH-POS-RF-3630		36	2	30
SH-POS-RF-4230		42	2	30
SH-POS-RF-4830		48	2	30
SH-POS-RF-2436	36" high	24	2	36
SH-POS-RF-3036		30	2	36
SH-POS-RF-3236		32	2	36
SH-POS-RF-3636		36	2	36
SH-POS-RF-4236		42	2	36
SH-POS-RF-4836		48	2	36



36" w x 36" h & 48" w x 36" h line drawings shown