

**2021
Maker Flex Kid's
Table Specifications**

General Information

Maker Flex™ Kid's Height Tables are durable, functional work tables allowing for flexibility in program spaces. Powder coated steel table bases provide strength and casters provide mobility. Optional: Adjustable glides in lieu of casters. Choose standard laminates from manufacturers listed below. Platinum Metallic powder coated bases are standard. 5% upcharge for other base colors.

Maker Flex™ Kid's Height Table Fixed Height Standards:

Fixed Worksurface is 24" above finish floor (AFF) with casters
Worksurface is 1-1/4" thick MDF with laminate surface & 3mm PVC edging
Standard Laminates include Wilsonart, Formica, Pionite and Nevamar

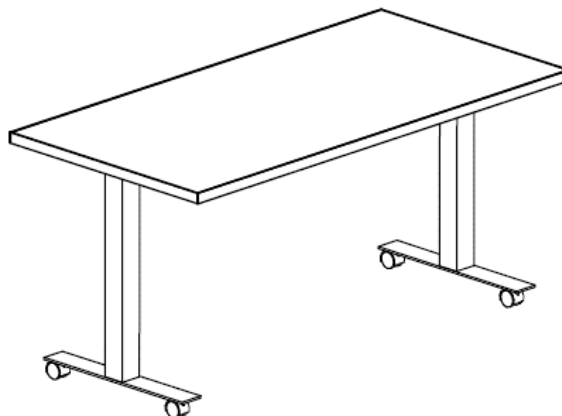


shown with platinum metallic powder coated base

ITEM#	DESCRIPTION	WIDTH	DEPTH	HEIGHT
-------	-------------	-------	-------	--------

maker flex kid's tables HP Laminate top - kid's height 24"h

MFC-362424-FIXT-LAM-CAS		36	24	24
MFC-363024-FIXT-LAM-CAS		36	30	24
MFC-363624-FIXT-LAM-CAS		36	36	24
MFC-422424-FIXT-LAM-CAS		42	24	24
MFC-423024-FIXT-LAM-CAS		42	30	24
MFC-423624-FIXT-LAM-CAS		42	36	24
MFC-482424-FIXT-LAM-CAS		48	24	24
MFC-483024-FIXT-LAM-CAS		48	30	24
MFC-483624-FIXT-LAM-CAS		48	36	24
MFC-542424-FIXT-LAM-CAS		54	24	24
MFC-543024-FIXT-LAM-CAS		54	30	24
MFC-543624-FIXT-LAM-CAS		54	36	24
MFC-602424-FIXT-LAM-CAS		60	24	24
MFC-603024-FIXT-LAM-CAS		60	30	24
MFC-603624-FIXT-LAM-CAS		60	36	24
MFC-662424-FIXT-LAM-CAS		66	24	24
MFC-663024-FIXT-LAM-CAS		66	30	24
MFC-663624-FIXT-LAM-CAS		66	36	24
MFC-722424-FIXT-LAM-CAS		72	24	24
MFC-723024-FIXT-LAM-CAS		72	30	24
MFC-723624-FIXT-LAM-CAS		72	36	24



Fixed kid's height (24" AFF) / caster base

**2021
Maker Flex Kid's
Table Specifications**

General Information

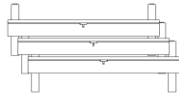
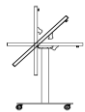
Maker Flex™ Kid's Tables are durable, functional work tables allowing for flexibility in program spaces. Powder coated steel table bases provide strength and casters provide mobility. Optional: Adjustable glides in lieu of casters. Choose standard laminates from manufacturers listed below. Platinum Metallic powder coated bases are standard. 5% upcharge for other base colors.

Maker Flex™ Kid's Nesting / Flip Top - Fixed Height Standards:

Nesting / Flip top Worksurface is 24" above finish floor (AFF) with casters
 Worksurface is 1-1/4" thick MDF with laminate surface & 3mm PVC edging
 Standard Laminates include Wilsonart, Formica, Pionite and Nevamar
 Tables that are 72" wide or 36" deep have two (2) release handles



shown with platinum metallic powder coated base

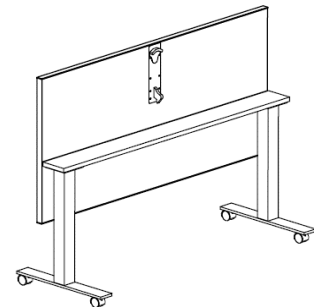
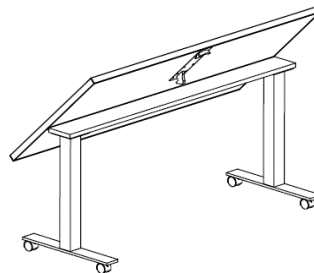
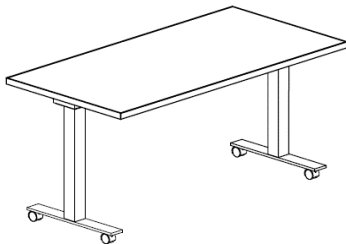


24" deep storage depth = 18" + (# tables - 1) x 7.25"
 30" deep storage depth = 22" + (# tables - 1) x 7.25"
 36" deep storage depth = 26" + (# tables - 1) x 7.25"

ITEM#	DESCRIPTION	WIDTH	DEPTH	HEIGHT
-------	-------------	-------	-------	--------

maker flex kid's tables HP Laminate top - nesting / kid's height 24"h

MFC-362424-NEST-FIXT-LAM-CAS		36	24	24
MFC-363024-NEST-FIXT-LAM-CAS		36	30	24
MFC-363624-NEST-FIXT-LAM-CAS		36	36	24
MFC-422424-NEST-FIXT-LAM-CAS		42	24	24
MFC-423024-NEST-FIXT-LAM-CAS		42	30	24
MFC-423624-NEST-FIXT-LAM-CAS		42	36	24
MFC-482424-NEST-FIXT-LAM-CAS		48	24	24
MFC-483024-NEST-FIXT-LAM-CAS		48	30	24
MFC-483624-NEST-FIXT-LAM-CAS		48	36	24
MFC-542424-NEST-FIXT-LAM-CAS		54	24	24
MFC-543024-NEST-FIXT-LAM-CAS		54	30	24
MFC-543624-NEST-FIXT-LAM-CAS		54	36	24
MFC-602424-NEST-FIXT-LAM-CAS		60	24	24
MFC-603024-NEST-FIXT-LAM-CAS		60	30	24
MFC-603624-NEST-FIXT-LAM-CAS		60	36	24
MFC-662424-NEST-FIXT-LAM-CAS		66	24	24
MFC-663024-NEST-FIXT-LAM-CAS		66	30	24
MFC-663624-NEST-FIXT-LAM-CAS		66	36	24
MFC-722424-NEST-FIXT-LAM-CAS		72	24	24
MFC-723024-NEST-FIXT-LAM-CAS		72	30	24
MFC-723624-NEST-FIXT-LAM-CAS		72	36	24



Nesting - Fixed kid's height (24" AFF) / caster base

**2021
Maker Flex Kid's
Table Specifications**

General Information

Maker Flex™ Kid's Tables are durable, functional work tables allowing for flexibility in program spaces. Work surface height is easily changed with retractable hand crank. Powder coated steel table bases provide strength and casters provide mobility. Optional: Adjustable glides in lieu of casters. Choose standard laminates from manufacturers listed below. Platinum Metallic powder coated bases are standard. 5% upcharge for other base colors.

Maker Flex™ Kid's Table Height-adjustable Standards:

Height-adjustable Worksurface range is 24" - 34" above finish floor (AFF) with casters
Retractable hand crank located on patron side of table
Worksurface is 1-1/4" thick MDF with laminate surface & 3mm PVC edging
Standard Laminates include Wilsonart, Formica, Pionite and Nevamar

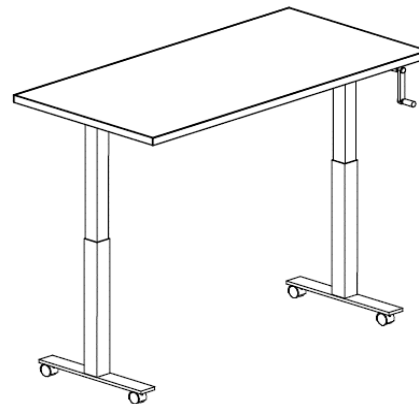
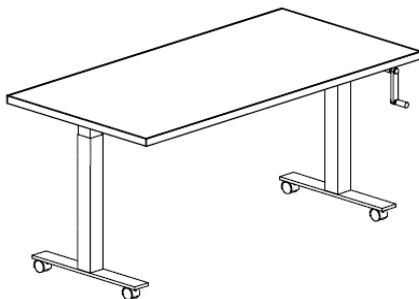


shown with platinum metallic powder coated base

ITEM#	DESCRIPTION	WIDTH	DEPTH	HEIGHT
-------	-------------	-------	-------	--------

maker flex kid's tables HP Laminate top - adjustable height 24" - 34"h

MFC-3624-ADJT-LAM-CAS		36	24	24 - 34
MFC-3630-ADJT-LAM-CAS		36	30	24 - 34
MFC-3636-ADJT-LAM-CAS		36	36	24 - 34
MFC-4224-ADJT-LAM-CAS		42	24	24 - 34
MFC-4230-ADJT-LAM-CAS		42	30	24 - 34
MFC-4236-ADJT-LAM-CAS		42	36	24 - 34
MFC-4824-ADJT-LAM-CAS		48	24	24 - 34
MFC-4830-ADJT-LAM-CAS		48	30	24 - 34
MFC-4836-ADJT-LAM-CAS		48	36	24 - 34
MFC-5424-ADJT-LAM-CAS		54	24	24 - 34
MFC-5430-ADJT-LAM-CAS		54	30	24 - 34
MFC-5436-ADJT-LAM-CAS		54	36	24 - 34
MFC-6024-ADJT-LAM-CAS		60	24	24 - 34
MFC-6030-ADJT-LAM-CAS		60	30	24 - 34
MFC-6036-ADJT-LAM-CAS		60	36	24 - 34
MFC-6624-ADJT-LAM-CAS		66	24	24 - 34
MFC-6630-ADJT-LAM-CAS		66	30	24 - 34
MFC-6636-ADJT-LAM-CAS		66	36	24 - 34
MFC-7224-ADJT-LAM-CAS		72	24	24 - 34
MFC-7230-ADJT-LAM-CAS		72	30	24 - 34
MFC-7236-ADJT-LAM-CAS		72	36	24 - 34



Hand-crank, adjustable height (24" - 34" AFF) / caster base

**2021
Maker Flex Kid's
Table Specifications**

General Information

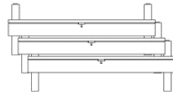
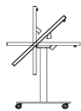
Maker Flex™ Kid's Tables are durable, functional work tables allowing for flexibility in program spaces. Nesting / Flip-top option allows for space saving nested storage. Powder coated steel table bases provide strength and casters provide mobility. Optional: Adjustable glides in lieu of casters. Choose standard laminates from manufacturers listed below. Platinum Metallic powder coated bases are standard. 5% upcharge for other base colors.

Maker Flex™ Kid's Table Nesting / Flip-Top Standards:

Height-adjustable Worksurface range is 24" - 34" above finish floor (AFF) with casters
Retractable hand crank located at the end of table
Worksurface is 1-1/4" thick MDF with laminate surface & 3mm PVC edging
Standard Laminates include Wilsonart, Formica, Pionite and Nevamar
Tables that are 72" wide or 36" deep have two (2) release handles



shown with platinum metallic powder coated base

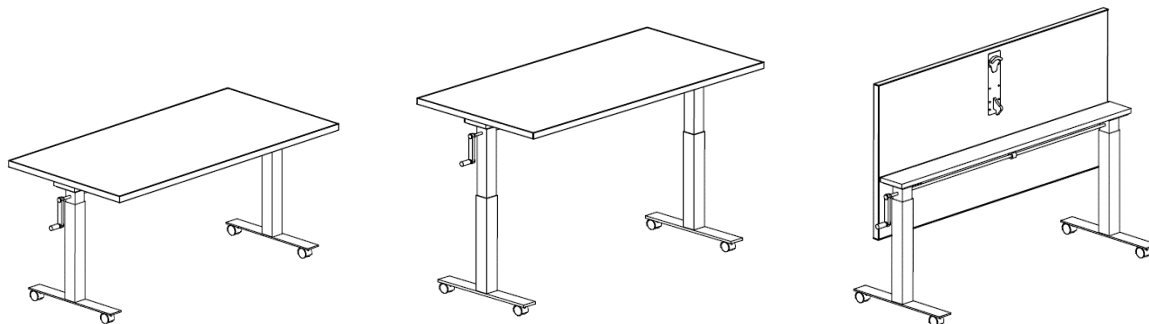


24" deep storage depth = 18" + (# tables - 1) x 7.25"
30" deep storage depth = 22" + (# tables - 1) x 7.25"
36" deep storage depth = 26" + (# tables - 1) x 7.25"

ITEM#	DESCRIPTION	WIDTH	DEPTH	HEIGHT
-------	-------------	-------	-------	--------

maker flex kid's tables HP Laminate top - nesting / adjustable height 24" - 34"h

MFC-3624-NEST-ADJT-LAM-CAS		36	24	24 - 34
MFC-3630-NEST-ADJT-LAM-CAS		36	30	24 - 34
MFC-3636-NEST-ADJT-LAM-CAS		36	36	24 - 34
MFC-4224-NEST-ADJT-LAM-CAS		42	24	24 - 34
MFC-4230-NEST-ADJT-LAM-CAS		42	30	24 - 34
MFC-4236-NEST-ADJT-LAM-CAS		42	36	24 - 34
MFC-4824-NEST-ADJT-LAM-CAS		48	24	24 - 34
MFC-4830-NEST-ADJT-LAM-CAS		48	30	24 - 34
MFC-4836-NEST-ADJT-LAM-CAS		48	36	24 - 34
MFC-5424-NEST-ADJT-LAM-CAS		54	24	24 - 34
MFC-5430-NEST-ADJT-LAM-CAS		54	30	24 - 34
MFC-5436-NEST-ADJT-LAM-CAS		54	36	24 - 34
MFC-6024-NEST-ADJT-LAM-CAS		60	24	24 - 34
MFC-6030-NEST-ADJT-LAM-CAS		60	30	24 - 34
MFC-6036-NEST-ADJT-LAM-CAS		60	36	24 - 34
MFC-6624-NEST-ADJT-LAM-CAS		66	24	24 - 34
MFC-6630-NEST-ADJT-LAM-CAS		66	30	24 - 34
MFC-6636-NEST-ADJT-LAM-CAS		66	36	24 - 34
MFC-7224-NEST-ADJT-LAM-CAS		72	24	24 - 34
MFC-7230-NEST-ADJT-LAM-CAS		72	30	24 - 34
MFC-7236-NEST-ADJT-LAM-CAS		72	36	24 - 34



Nesting Flip-top, hand-crank, adjustable height (24" - 34" AFF) / caster base

**2021
Maker Flex Kid's
Table Specifications**

General Information

Maker Flex™ Kid's Tables are durable, functional work tables allowing for flexibility in program spaces. Powder coated steel table bases provide strength and casters provide mobility. Optional: Adjustable glides in lieu of casters. Tops are solid maple butcher block. Platinum Metallic powder coated bases are standard. 5% upcharge for other base colors.

Maker Flex™ Kid's Height Table Fixed Height Standards:

Fixed Worksurface is 24" above finish floor (AFF) with casters
Worksurface is 1-1/2" thick, solid maple butcher block with eased corners & edges

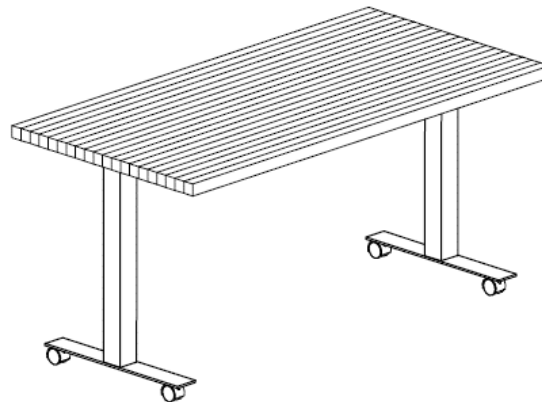


shown with platinum metallic powder coated base

ITEM#	DESCRIPTION	WIDTH	DEPTH	HEIGHT
-------	-------------	-------	-------	--------

maker flex kid's tables Maple Butcher Block top - kid's height 24"h

MFC-362424-FIXT-BBK-CAS	36	24	24
MFC-363024-FIXT-BBK-CAS	36	30	24
MFC-363624-FIXT-BBK-CAS	36	36	24
MFC-422424-FIXT-BBK-CAS	42	24	24
MFC-423024-FIXT-BBK-CAS	42	30	24
MFC-423624-FIXT-BBK-CAS	42	36	24
MFC-482424-FIXT-BBK-CAS	48	24	24
MFC-483024-FIXT-BBK-CAS	48	30	24
MFC-483624-FIXT-BBK-CAS	48	36	24
MFC-542424-FIXT-BBK-CAS	54	24	24
MFC-543024-FIXT-BBK-CAS	54	30	24
MFC-543624-FIXT-BBK-CAS	54	36	24
MFC-602424-FIXT-BBK-CAS	60	24	24
MFC-603024-FIXT-BBK-CAS	60	30	24
MFC-603624-FIXT-BBK-CAS	60	36	24
MFC-662424-FIXT-BBK-CAS	66	24	24
MFC-663024-FIXT-BBK-CAS	66	30	24
MFC-663624-FIXT-BBK-CAS	66	36	24
MFC-722424-FIXT-BBK-CAS	72	24	24
MFC-723024-FIXT-BBK-CAS	72	30	24
MFC-723624-FIXT-BBK-CAS	72	36	24



Fixed kid's height (24" AFF) / caster base

**2021
Maker Flex Kid's
Table Specifications**

General Information

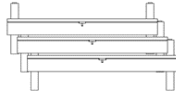
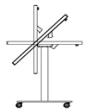
Maker Flex™ Kid's Tables are durable, functional work tables allowing for flexibility in program spaces. Powder coated steel table bases provide strength and casters provide mobility. Optional: Adjustable glides in lieu of casters. Tops are solid maple butcher block. Platinum Metallic powder coated bases are standard. 5% upcharge for other base colors.

Maker Flex™ Kid's Nesting / Flip-Top - Fixed Height Standards:

Nesting / Flip top Worksurface is 24" above finish floor (AFF) with casters
Worksurface is 1-1/2" thick, solid maple butcher block with eased corners & edges
Tables that are 72" wide or 36" deep have two (2) release handles



shown with platinum metallic powder coated base

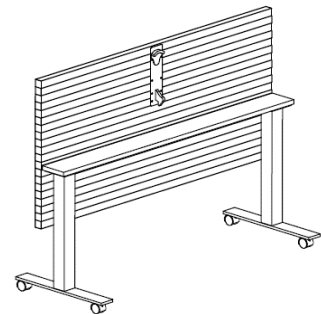
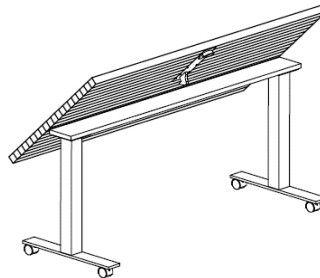
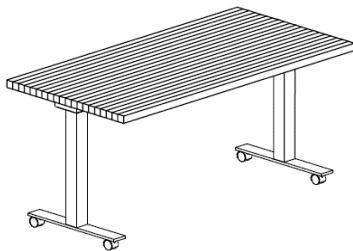


24" deep storage depth = 18" + (# tables - 1) x 7.25"
30" deep storage depth = 22" + (# tables - 1) x 7.25"
36" deep storage depth = 26" + (# tables - 1) x 7.25"

ITEM#	DESCRIPTION	WIDTH	DEPTH	HEIGHT
-------	-------------	-------	-------	--------

maker flex kid's tables Maple Butcher Block top - nesting / kid's height 24"h

MFC-362424-NEST-FIXT-BBK-CAS		36	24	24
MFC-363024-NEST-FIXT-BBK-CAS		36	30	24
MFC-363624-NEST-FIXT-BBK-CAS		36	36	24
MFC-422424-NEST-FIXT-BBK-CAS		42	24	24
MFC-423024-NEST-FIXT-BBK-CAS		42	30	24
MFC-423624-NEST-FIXT-BBK-CAS		42	36	24
MFC-482424-NEST-FIXT-BBK-CAS		48	24	24
MFC-483024-NEST-FIXT-BBK-CAS		48	30	24
MFC-483624-NEST-FIXT-BBK-CAS		48	36	24
MFC-542424-NEST-FIXT-BBK-CAS		54	24	24
MFC-543024-NEST-FIXT-BBK-CAS		54	30	24
MFC-543624-NEST-FIXT-BBK-CAS		54	36	24
MFC-602424-NEST-FIXT-BBK-CAS		60	24	24
MFC-603024-NEST-FIXT-BBK-CAS		60	30	24
MFC-603624-NEST-FIXT-BBK-CAS		60	36	24
MFC-662424-NEST-FIXT-BBK-CAS		66	24	24
MFC-663024-NEST-FIXT-BBK-CAS		66	30	24
MFC-663624-NEST-FIXT-BBK-CAS		66	36	24
MFC-722424-NEST-FIXT-BBK-CAS		72	24	24
MFC-723024-NEST-FIXT-BBK-CAS		72	30	24
MFC-723624-NEST-FIXT-BBK-CAS		72	36	24



Nesting - Fixed kid's height (24" AFF) / caster base

**2021
Maker Flex Kid's
Table Specifications**

General Information

Maker Flex™ Kid's Tables are durable, functional work tables allowing for flexibility in program spaces. Work surface height is easily changed with retractable hand crank. Powder coated steel table bases provide strength and casters provide mobility. Optional: Adjustable glides in lieu of casters. Tops are solid maple butcher block. Platinum Metallic powder coated bases are standard. 5% upcharge for other base colors.

Maker Flex™ Kid's Table Height-adjustable Standards:

Height-adjustable Worksurface range is 24" - 34" above finish floor (AFF) with casters
Retractable hand crank located on patron side of table
Worksurface is 1-1/2" thick, solid maple butcher block with eased corners & edges

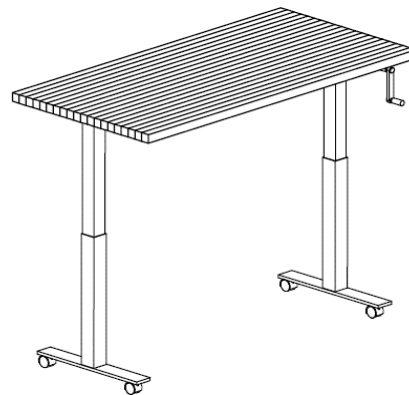
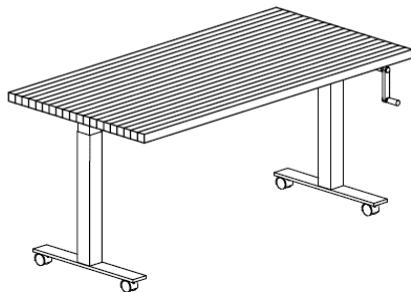


shown with platinum metallic powder coated base

ITEM#	DESCRIPTION	WIDTH	DEPTH	HEIGHT
-------	-------------	-------	-------	--------

maker flex kid's tables Maple Butcher Block top - adjustable height 24"-34"h

MFC-3624-ADJT-BBK-CAS		36	24	24 - 34
MFC-3630-ADJT-BBK-CAS		36	30	24 - 34
MFC-3636-ADJT-BBK-CAS		36	36	24 - 34
MFC-4224-ADJT-BBK-CAS		42	24	24 - 34
MFC-4230-ADJT-BBK-CAS		42	30	24 - 34
MFC-4236-ADJT-BBK-CAS		42	36	24 - 34
MFC-4824-ADJT-BBK-CAS		48	24	24 - 34
MFC-4830-ADJT-BBK-CAS		48	30	24 - 34
MFC-4836-ADJT-BBK-CAS		48	36	24 - 34
MFC-5424-ADJT-BBK-CAS		54	24	24 - 34
MFC-5430-ADJT-BBK-CAS		54	30	24 - 34
MFC-5436-ADJT-BBK-CAS		54	36	24 - 34
MFC-6024-ADJT-BBK-CAS		60	24	24 - 34
MFC-6030-ADJT-BBK-CAS		60	30	24 - 34
MFC-6036-ADJT-BBK-CAS		60	36	24 - 34
MFC-6624-ADJT-BBK-CAS		66	24	24 - 34
MFC-6630-ADJT-BBK-CAS		66	30	24 - 34
MFC-6636-ADJT-BBK-CAS		66	36	24 - 34
MFC-7224-ADJT-BBK-CAS		72	24	24 - 34
MFC-7230-ADJT-BBK-CAS		72	30	24 - 34
MFC-7236-ADJT-BBK-CAS		72	36	24 - 34



Hand-crank, adjustable height (24" - 34" AFF) / caster base

**2021
Maker Flex Kid's
Table Specifications**

General Information

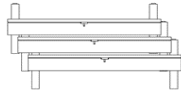
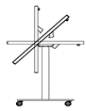
Maker Flex™ Kid's Tables are durable, functional work tables allowing for flexibility in program spaces. Nesting / Flip-top option allows for space saving nested storage. Powder coated steel table bases provide strength and casters provide mobility. Optional: Adjustable glides in lieu of casters. Tops are solid maple butcher block. Platinum Metallic powder coated bases are standard. 5% upcharge for other base colors.

Maker Flex™ Kid's Table Nesting / Flip-Top Standards:

Height-adjustable Worksurface range is 24" - 34" above finish floor (AFF) with casters
Retractable hand crank located at the end of table
Worksurface is 1-1/2" thick, solid maple butcher block with eased corners & edges
Tables that are 72" long or 36" deep have two (2) release handles



shown with platinum metallic powder coated base

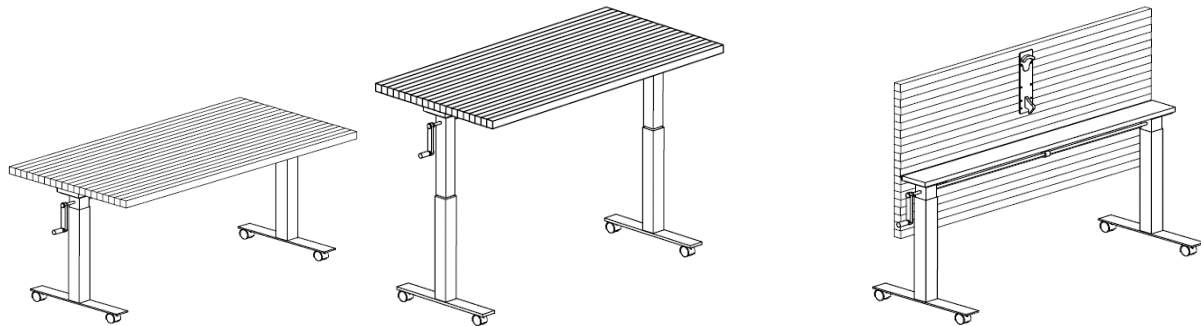


24" deep storage depth = 18" + (# tables - 1) x 7.25"
30" deep storage depth = 22" + (# tables - 1) x 7.25"
36" deep storage depth = 26" + (# tables - 1) x 7.25"

ITEM#	DESCRIPTION	WIDTH	DEPTH	HEIGHT
-------	-------------	-------	-------	--------

maker flex kid's tables Maple Butcher Block top - nesting / adjustable height 24"-34"h

MFC-3624-NEST-ADJT-BBK-CAS		36	24	24 - 34
MFC-3630-NEST-ADJT-BBK-CAS		36	30	24 - 34
MFC-3636-NEST-ADJT-BBK-CAS		36	36	24 - 34
MFC-4224-NEST-ADJT-BBK-CAS		42	24	24 - 34
MFC-4230-NEST-ADJT-BBK-CAS		42	30	24 - 34
MFC-4236-NEST-ADJT-BBK-CAS		42	36	24 - 34
MFC-4824-NEST-ADJT-BBK-CAS		48	24	24 - 34
MFC-4830-NEST-ADJT-BBK-CAS		48	30	24 - 34
MFC-4836-NEST-ADJT-BBK-CAS		48	36	24 - 34
MFC-5424-NEST-ADJT-BBK-CAS		54	24	24 - 34
MFC-5430-NEST-ADJT-BBK-CAS		54	30	24 - 34
MFC-5436-NEST-ADJT-BBK-CAS		54	36	24 - 34
MFC-6024-NEST-ADJT-BBK-CAS		60	24	24 - 34
MFC-6030-NEST-ADJT-BBK-CAS		60	30	24 - 34
MFC-6036-NEST-ADJT-BBK-CAS		60	36	24 - 34
MFC-6624-NEST-ADJT-BBK-CAS		66	24	24 - 34
MFC-6630-NEST-ADJT-BBK-CAS		66	30	24 - 34
MFC-6636-NEST-ADJT-BBK-CAS		66	36	24 - 34
MFC-7224-NEST-ADJT-BBK-CAS		72	24	24 - 34
MFC-7230-NEST-ADJT-BBK-CAS		72	30	24 - 34
MFC-7236-NEST-ADJT-BBK-CAS		72	36	24 - 34



Nesting Flip-top, hand-crank, adjustable height (24" - 34" AFF) / caster base