

**2021  
Maker Flex Table  
Specifications**

**General Information**

Maker Flex™ Tables are durable, functional work tables allowing for flexibility in program spaces. Powder coated steel table bases provide strength and casters provide mobility. Optional: Adjustable glides in lieu of casters. Choose standard laminates from manufacturers listed below. Platinum Metallic powder coated bases are standard. 5% upcharge for other base colors.

**Maker Flex™ Table Fixed Height Standards:**

Fixed Worksurface 29" or 36" above finish floor (AFF) with casters  
Worksurface is 1-1/4" thick MDF with laminate surface & 3mm PVC edging  
Standard Laminates include Wilsonart, Formica, Pionite and Nevamar

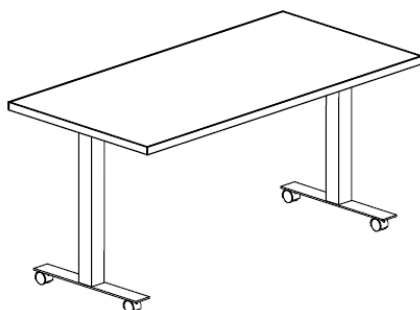


shown with platinum metallic powder coated base

ITEM#	DESCRIPTION	WIDTH	DEPTH	HEIGHT
-------	-------------	-------	-------	--------

**maker flex tables HP Laminate top - seated height 29"h**

- MF-482429-FIXT-LAM-CAS
- MF-483029-FIXT-LAM-CAS
- MF-483629-FIXT-LAM-CAS
- MF-542429-FIXT-LAM-CAS
- MF-543029-FIXT-LAM-CAS
- MF-543629-FIXT-LAM-CAS
- MF-602429-FIXT-LAM-CAS
- MF-603029-FIXT-LAM-CAS
- MF-603629-FIXT-LAM-CAS
- MF-662429-FIXT-LAM-CAS
- MF-663029-FIXT-LAM-CAS
- MF-663629-FIXT-LAM-CAS
- MF-722429-FIXT-LAM-CAS
- MF-723029-FIXT-LAM-CAS
- MF-723629-FIXT-LAM-CAS

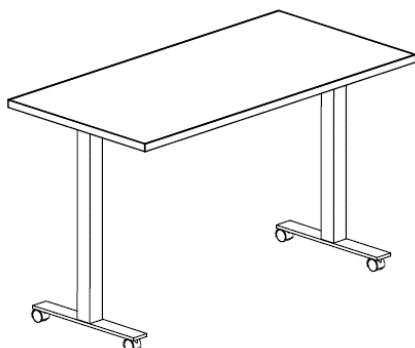


48	24	29
48	30	29
48	36	29
54	24	29
54	30	29
54	36	29
60	24	29
60	30	29
60	36	29
66	24	29
66	30	29
66	36	29
72	24	29
72	30	29
72	36	29

Fixed seated height (29" AFF) / caster base

**maker flex tables HP Laminate top - counter height 36"h**

- MF-482436-FIXT-LAM-CAS
- MF-483036-FIXT-LAM-CAS
- MF-483636-FIXT-LAM-CAS
- MF-542436-FIXT-LAM-CAS
- MF-543036-FIXT-LAM-CAS
- MF-543636-FIXT-LAM-CAS
- MF-602436-FIXT-LAM-CAS
- MF-603036-FIXT-LAM-CAS
- MF-603636-FIXT-LAM-CAS
- MF-662436-FIXT-LAM-CAS
- MF-663036-FIXT-LAM-CAS
- MF-663636-FIXT-LAM-CAS
- MF-722436-FIXT-LAM-CAS
- MF-723036-FIXT-LAM-CAS
- MF-723636-FIXT-LAM-CAS



48	24	36
48	30	36
48	36	36
54	24	36
54	30	36
54	36	36
60	24	36
60	30	36
60	36	36
66	24	36
66	30	36
66	36	36
72	24	36
72	30	36
72	36	36

Fixed counter height (36" AFF) / caster base

**2021  
Maker Flex Table  
Specifications**

**General Information**

Maker Flex™ Tables are durable, functional work tables allowing for flexibility in program spaces. Powder coated steel table bases provide strength and casters provide mobility. Optional: Adjustable glides in lieu of casters. Choose standard laminates from manufacturers listed below. Platinum Metallic powder coated bases are standard. 5% upcharge for other base colors.

**Maker Flex™ Nesting / Flip Top - Fixed Height Standards:**

Nesting / Flip top Worksurface is 29" or 36" above finish floor (AFF) with casters  
 Worksurface is 1-1/4" thick MDF with laminate surface & 3mm PVC edging  
 Standard Laminates include Wilsonart, Formica, Pionite and Nevamar  
 Tables that are 72" wide or 36" deep have two (2) release handles



shown with platinum metallic powder coated base

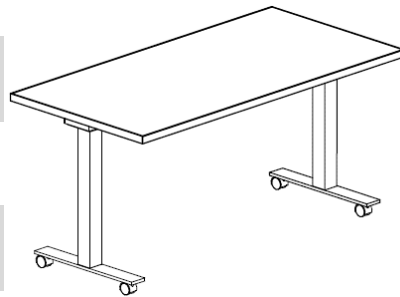


24" deep storage depth = 18" + (# tables - 1) x 7.25"  
 30" deep storage depth = 22" + (# tables - 1) x 7.25"  
 36" deep storage depth = 26" + (# tables - 1) x 7.25"

ITEM#	DESCRIPTION	WIDTH	DEPTH	HEIGHT
-------	-------------	-------	-------	--------

**maker flex tables HP Laminate top - nesting / seated height 29"h**

- MF-482429-NEST-FIXT-LAM-CAS
- MF-483029-NEST-FIXT-LAM-CAS
- MF-483629-NEST-FIXT-LAM-CAS
- MF-542429-NEST-FIXT-LAM-CAS
- MF-543029-NEST-FIXT-LAM-CAS
- MF-543629-NEST-FIXT-LAM-CAS
- MF-602429-NEST-FIXT-LAM-CAS
- MF-603029-NEST-FIXT-LAM-CAS
- MF-603629-NEST-FIXT-LAM-CAS
- MF-662429-NEST-FIXT-LAM-CAS
- MF-663029-NEST-FIXT-LAM-CAS
- MF-663629-NEST-FIXT-LAM-CAS
- MF-722429-NEST-FIXT-LAM-CAS
- MF-723029-NEST-FIXT-LAM-CAS
- MF-723629-NEST-FIXT-LAM-CAS

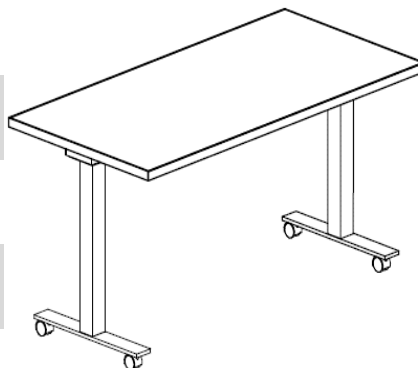


48	24	29
48	30	29
48	36	29
54	24	29
54	30	29
54	36	29
60	24	29
60	30	29
60	36	29
66	24	29
66	30	29
66	36	29
72	24	29
72	30	29
72	36	29

Nesting - Fixed seated height (29" AFF) / caster base

**maker flex tables HP Laminate top - nesting / counter height 36"h**

- MF-482436-NEST-FIXT-LAM-CAS
- MF-483036-NEST-FIXT-LAM-CAS
- MF-483636-NEST-FIXT-LAM-CAS
- MF-542436-NEST-FIXT-LAM-CAS
- MF-543036-NEST-FIXT-LAM-CAS
- MF-543636-NEST-FIXT-LAM-CAS
- MF-602436-NEST-FIXT-LAM-CAS
- MF-603036-NEST-FIXT-LAM-CAS
- MF-603636-NEST-FIXT-LAM-CAS
- MF-662436-NEST-FIXT-LAM-CAS
- MF-663036-NEST-FIXT-LAM-CAS
- MF-663636-NEST-FIXT-LAM-CAS
- MF-722436-NEST-FIXT-LAM-CAS
- MF-723036-NEST-FIXT-LAM-CAS
- MF-723636-NEST-FIXT-LAM-CAS



48	24	36
48	30	36
48	36	36
54	24	36
54	30	36
54	36	36
60	24	36
60	30	36
60	36	36
66	24	36
66	30	36
66	36	36
72	24	36
72	30	36
72	36	36

Nesting - Fixed counter height (36" AFF) / caster base

**2021  
Maker Flex Table  
Specifications**

**General Information**

Maker Flex™ Tables are durable, functional work tables allowing for flexibility in program spaces. Work surface height is easily changed with retractable hand crank. Powder coated steel table bases provide strength and casters provide mobility. Optional: Adjustable glides in lieu of casters. Choose standard laminates from manufacturers listed below. Platinum Metallic powder coated bases are standard. 5% upcharge for other base colors.

**Maker Flex™ Table Height-adjustable Standards:**

Height-adjustable Worksurface range is 29" - 47" above finish floor (AFF) with casters  
Retractable hand crank located on patron side of table

Worksurface is 1-1/4" thick MDF with laminate surface & 3mm PVC edging  
Standard Laminates include Wilsonart, Formica, Pionite and Nevamar

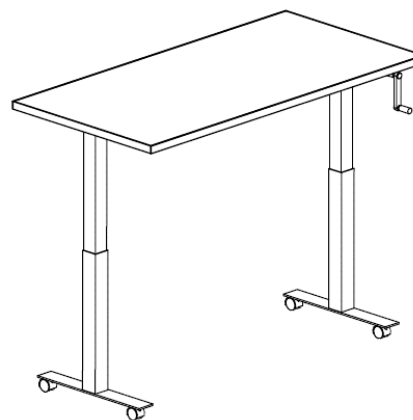
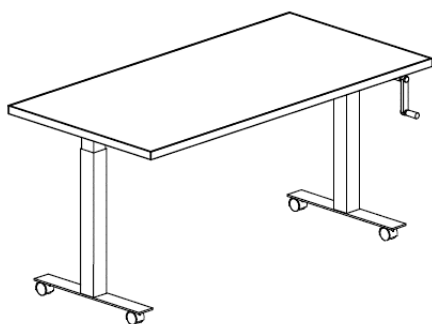


*shown with platinum metallic powder coated base*

ITEM#	DESCRIPTION	WIDTH	DEPTH	HEIGHT
-------	-------------	-------	-------	--------

**maker flex tables HP Laminate top - adjustable height 29"-47"h**

MF-4824-ADJT-LAM-CAS		48	24	29 - 47
MF-4830-ADJT-LAM-CAS		48	30	29 - 47
MF-4836-ADJT-LAM-CAS		48	36	29 - 47
MF-5424-ADJT-LAM-CAS		54	24	29 - 47
MF-5430-ADJT-LAM-CAS		54	30	29 - 47
MF-5436-ADJT-LAM-CAS		54	36	29 - 47
MF-6024-ADJT-LAM-CAS		60	24	29 - 47
MF-6030-ADJT-LAM-CAS		60	30	29 - 47
MF-6036-ADJT-LAM-CAS		60	36	29 - 47
MF-6624-ADJT-LAM-CAS		66	24	29 - 47
MF-6630-ADJT-LAM-CAS		66	30	29 - 47
MF-6636-ADJT-LAM-CAS		66	36	29 - 47
MF-7224-ADJT-LAM-CAS		72	24	29 - 47
MF-7230-ADJT-LAM-CAS		72	30	29 - 47
MF-7236-ADJT-LAM-CAS		72	36	29 - 47



**Hand-crank, adjustable height (29" - 47" AFF) / caster base**

**2021  
Maker Flex Table  
Specifications**

**General Information**

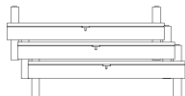
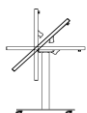
Maker Flex™ Tables are durable, functional work tables allowing for flexibility in program spaces. Nesting / Flip-top option allows for space saving nested storage. Powder coated steel table bases provide strength and casters provide mobility. Optional: Adjustable glides in lieu of casters. Choose standard laminates from manufacturers listed below. Platinum Metallic powder coated bases are standard. 5% upcharge for other base colors.

**Maker Flex™ Table Nesting / Flip-Top Standards:**

Height-adjustable Worksurface range is 27" - 41" above finish floor (AFF) with casters  
Retractable hand crank located on end of table  
Worksurface is 1-1/4" thick MDF with laminate surface & 3mm PVC edging  
Standard Laminates include Wilsonart, Formica, Pionite and Nevamar  
Tables that are 72" long or 36" deep have two (2) release handles



shown with platinum metallic powder coated base

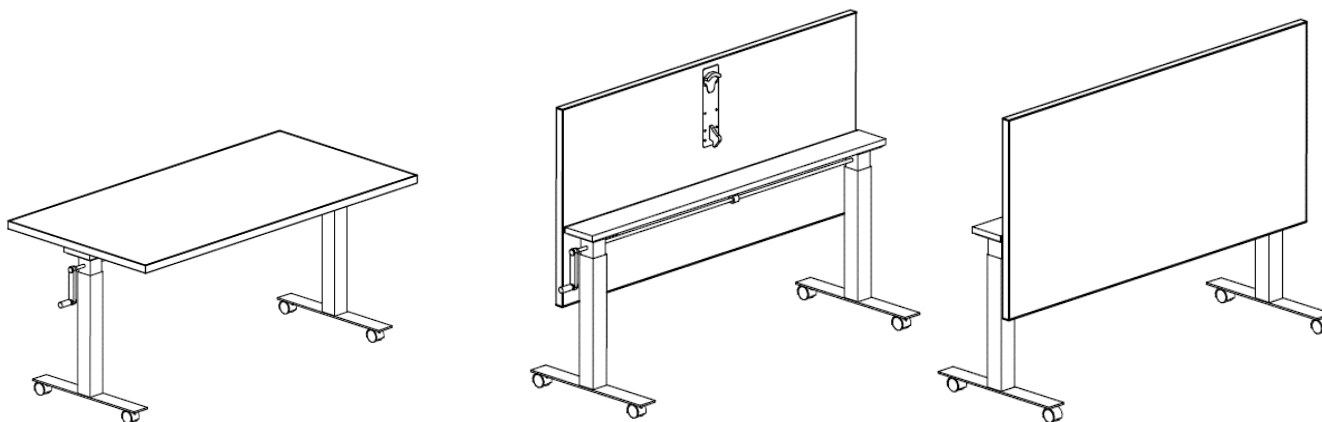


24" deep storage depth = 18" + (# tables - 1) x 7.25"  
30" deep storage depth = 22" + (# tables - 1) x 7.25"  
36" deep storage depth = 26" + (# tables - 1) x 7.25"

ITEM#	DESCRIPTION	WIDTH	DEPTH	HEIGHT
-------	-------------	-------	-------	--------

**maker flex tables HP Laminate top - nesting / adjustable height 27"-41" h**

MF-4824-NEST-ADJT-LAM-CAS		48	24	27 - 41
MF-4830-NEST-ADJT-LAM-CAS		48	30	27 - 41
MF-4836-NEST-ADJT-LAM-CAS		48	36	27 - 41
MF-5424-NEST-ADJT-LAM-CAS		54	24	27 - 41
MF-5430-NEST-ADJT-LAM-CAS		54	30	27 - 41
MF-5436-NEST-ADJT-LAM-CAS		54	36	27 - 41
MF-6024-NEST-ADJT-LAM-CAS		60	24	27 - 41
MF-6030-NEST-ADJT-LAM-CAS		60	30	27 - 41
MF-6036-NEST-ADJT-LAM-CAS		60	36	27 - 41
MF-6624-NEST-ADJT-LAM-CAS		66	24	27 - 41
MF-6630-NEST-ADJT-LAM-CAS		66	30	27 - 41
MF-6636-NEST-ADJT-LAM-CAS		66	36	27 - 41
MF-7224-NEST-ADJT-LAM-CAS		72	24	27 - 41
MF-7230-NEST-ADJT-LAM-CAS		72	30	27 - 41
MF-7236-NEST-ADJT-LAM-CAS		72	36	27 - 41



Flip-top, hand-crank, adjustable height (29" - 41" AFF) / caster base

**2021  
Maker Flex Table  
Specifications**

**General Information**

Maker Flex™ Tables are durable, functional work tables allowing for flexibility in program spaces. Powder coated steel table bases provide strength and casters provide mobility. Optional: Adjustable glides in lieu of casters. Tops are solid maple butcher block. Platinum Metallic powder coated bases are standard. 5% upcharge for other base colors.

**Maker Flex™ Table Fixed Height Standards:**

Fixed Worksurface 29" or 36" above finish floor (AFF) with casters  
Worksurface is 1-1/2" thick, solid maple butcher block with eased corners & edges

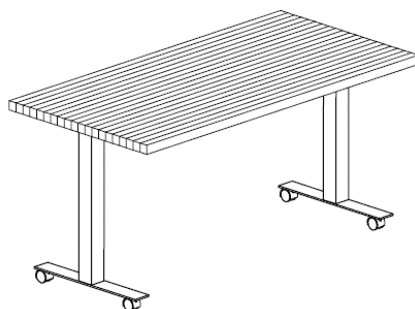


*shown with platinum metallic powder coated base*

ITEM#	DESCRIPTION	WIDTH	DEPTH	HEIGHT
-------	-------------	-------	-------	--------

**maker flex tables Maple Butcher Block top - seated height 29"h**

- MF-482429-FIXT-BBK-CAS
- MF-483029-FIXT-BBK-CAS
- MF-483629-FIXT-BBK-CAS
- MF-542429-FIXT-BBK-CAS
- MF-543029-FIXT-BBK-CAS
- MF-543629-FIXT-BBK-CAS
- MF-602429-FIXT-BBK-CAS
- MF-603029-FIXT-BBK-CAS
- MF-603629-FIXT-BBK-CAS
- MF-662429-FIXT-BBK-CAS
- MF-663029-FIXT-BBK-CAS
- MF-663629-FIXT-BBK-CAS
- MF-722429-FIXT-BBK-CAS
- MF-723029-FIXT-BBK-CAS
- MF-723629-FIXT-BBK-CAS

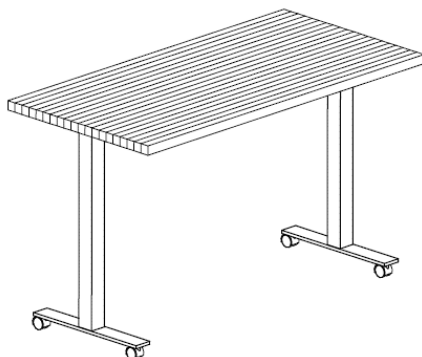


48	24	29
48	30	29
48	36	29
54	24	29
54	30	29
54	36	29
60	24	29
60	30	29
60	36	29
66	24	29
66	30	29
66	36	29
72	24	29
72	30	29
72	36	29

**Fixed seated height (29" AFF) / caster base**

**maker flex tables Maple Butcher Block top - counter height 36"h**

- MF-482436-FIXT-BBK-CAS
- MF-483036-FIXT-BBK-CAS
- MF-483636-FIXT-BBK-CAS
- MF-542436-FIXT-BBK-CAS
- MF-543036-FIXT-BBK-CAS
- MF-543636-FIXT-BBK-CAS
- MF-602436-FIXT-BBK-CAS
- MF-603036-FIXT-BBK-CAS
- MF-603636-FIXT-BBK-CAS
- MF-662436-FIXT-BBK-CAS
- MF-663036-FIXT-BBK-CAS
- MF-663636-FIXT-BBK-CAS
- MF-722436-FIXT-BBK-CAS
- MF-723036-FIXT-BBK-CAS
- MF-723636-FIXT-BBK-CAS



48	24	36
48	30	36
48	36	36
54	24	36
54	30	36
54	36	36
60	24	36
60	30	36
60	36	36
66	24	36
66	30	36
66	36	36
72	24	36
72	30	36
72	36	36

**Fixed counter height (36" AFF) / caster base**

**2021  
Maker Flex Table  
Specifications**

**General Information**

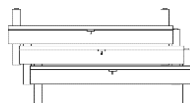
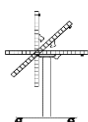
Maker Flex™ Tables are durable, functional work tables allowing for flexibility in program spaces. Powder coated steel table bases provide strength and casters provide mobility. Optional: Adjustable glides in lieu of casters. Tops are solid maple butcher block. Platinum Metallic powder coated bases are standard. 5% upcharge for other base colors.

**Maker Flex™ Nesting / Flip-Top - Fixed Height Standards:**

Nesting / Flip top Worksurface is 29" or 36" above finish floor (AFF) with casters  
Worksurface is 1-1/2" thick, solid maple butcher block with eased corners & edges  
Tables that are 72" long or 36" deep have two (2) release handles



shown with platinum metallic powder coated base

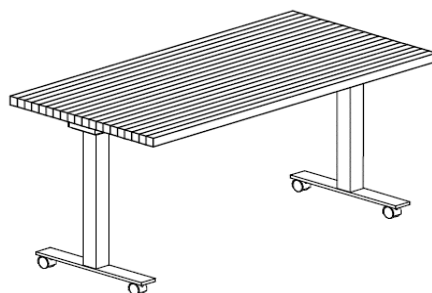


24" deep storage depth = 18" + (# tables - 1) x 7.25"  
30" deep storage depth = 22" + (# tables - 1) x 7.25"  
36" deep storage depth = 26" + (# tables - 1) x 7.25"

ITEM#	DESCRIPTION	WIDTH	DEPTH	HEIGHT
-------	-------------	-------	-------	--------

**maker flex tables Maple Butcher Block top - nesting / seated height 29"h**

- MF-482429-NEST-FIXT-BBK-CAS
- MF-483029-NEST-FIXT-BBK-CAS
- MF-483629-NEST-FIXT-BBK-CAS
- MF-542429-NEST-FIXT-BBK-CAS
- MF-543029-NEST-FIXT-BBK-CAS
- MF-543629-NEST-FIXT-BBK-CAS
- MF-602429-NEST-FIXT-BBK-CAS
- MF-603029-NEST-FIXT-BBK-CAS
- MF-603629-NEST-FIXT-BBK-CAS
- MF-662429-NEST-FIXT-BBK-CAS
- MF-663029-NEST-FIXT-BBK-CAS
- MF-663629-NEST-FIXT-BBK-CAS
- MF-722429-NEST-FIXT-BBK-CAS
- MF-723029-NEST-FIXT-BBK-CAS
- MF-723629-NEST-FIXT-BBK-CAS

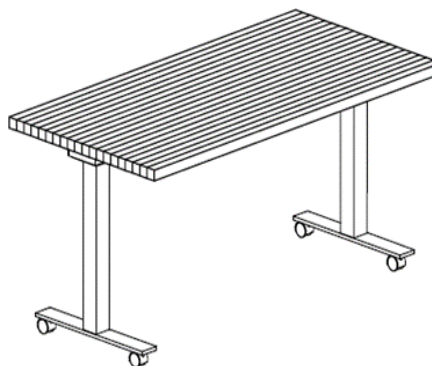


48	24	29
48	30	29
48	36	29
54	24	29
54	30	29
54	36	29
60	24	29
60	30	29
60	36	29
66	24	29
66	30	29
66	36	29
72	24	29
72	30	29
72	36	29

Fixed seated height (29" AFF) / caster base

**maker flex tables Maple Butcher Block top - nesting / counter height 36"h**

- MF-482436-NEST-FIXT-BBK-CAS
- MF-483036-NEST-FIXT-BBK-CAS
- MF-483636-NEST-FIXT-BBK-CAS
- MF-542436-NEST-FIXT-BBK-CAS
- MF-543036-NEST-FIXT-BBK-CAS
- MF-543636-NEST-FIXT-BBK-CAS
- MF-602436-NEST-FIXT-BBK-CAS
- MF-603036-NEST-FIXT-BBK-CAS
- MF-603636-NEST-FIXT-BBK-CAS
- MF-662436-NEST-FIXT-BBK-CAS
- MF-663036-NEST-FIXT-BBK-CAS
- MF-663636-NEST-FIXT-BBK-CAS
- MF-722436-NEST-FIXT-BBK-CAS
- MF-723036-NEST-FIXT-BBK-CAS
- MF-723636-NEST-FIXT-BBK-CAS



48	24	36
48	30	36
48	36	36
54	24	36
54	30	36
54	36	36
60	24	36
60	30	36
60	36	36
66	24	36
66	30	36
66	36	36
72	24	36
72	30	36
72	36	36

Fixed counter height (36" AFF) / caster base

**2021  
Maker Flex Table  
Specifications**

**General Information**

Maker Flex™ Tables are durable, functional work tables allowing for flexibility in program spaces. Nesting / Flip-top option allows for space saving nested storage. Powder coated steel table bases provide strength and casters provide mobility. Optional: Adjustable glides in lieu of casters. Tops are solid maple butcher block. Platinum Metallic powder coated bases are standard. 5% upcharge for other base colors.

**Maker Flex™ Table Height-adjustable Standards:**

Height-adjustable Worksurface range is 29" - 47" above finish floor (AFF) with casters  
Retractable hand crank located on patron side of table  
Worksurface is 1-1/2" thick, solid maple butcher block with eased corners & edges

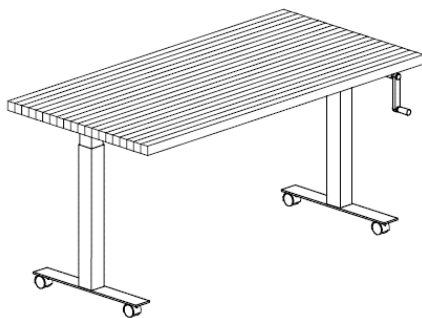


*shown with platinum metallic powder coated base*

ITEM#	DESCRIPTION	WIDTH	DEPTH	HEIGHT
-------	-------------	-------	-------	--------

**maker flex tables Maple Butcher Block top - adjustable height 29"-47"h**

MF-4824-ADJT-BBK-CAS		48	24	29 - 47
MF-4830-ADJT-BBK-CAS		48	30	29 - 47
MF-4836-ADJT-BBK-CAS		48	36	29 - 47
MF-5424-ADJT-BBK-CAS		54	24	29 - 47
MF-5430-ADJT-BBK-CAS		54	30	29 - 47
MF-5436-ADJT-BBK-CAS		54	36	29 - 47
MF-6024-ADJT-BBK-CAS		60	24	29 - 47
MF-6030-ADJT-BBK-CAS		60	30	29 - 47
MF-6036-ADJT-BBK-CAS		60	36	29 - 47
MF-6624-ADJT-BBK-CAS		66	24	29 - 47
MF-6630-ADJT-BBK-CAS		66	30	29 - 47
MF-6636-ADJT-BBK-CAS		66	36	29 - 47
MF-7224-ADJT-BBK-CAS		72	24	29 - 47
MF-7230-ADJT-BBK-CAS		72	30	29 - 47
MF-7236-ADJT-BBK-CAS		72	36	29 - 47



**Hand-crank, adjustable height (29" - 47" AFF) / caster base**

**2021  
Maker Flex Table  
Specifications**

**General Information**

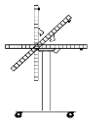
Maker Flex™ Tables are durable, functional work tables for crafting and creating in program spaces. Nesting / Flip-top option allows for space saving nested storage. Powder coated steel table bases provide strength and casters provide mobility. Optional: Adjustable glides in lieu of casters. Tops are solid maple butcher block. Platinum Metallic powder coated bases are standard. 5% upcharge for other colors.

**Maker Flex™ Table Nesting / Flip-Top Standards:**

Height-adjustable Worksurface range is 27" - 41" above finish floor (AFF) with casters  
Retractable hand crank located on end of table  
Worksurface is 1-1/2" thick, solid maple butcher block with eased corners & edges  
Tables that are 72" long or 36" deep have two (2) release handles



shown with platinum metallic powder coated base



24" deep storage depth = 18" + (# tables - 1) x 7.25"

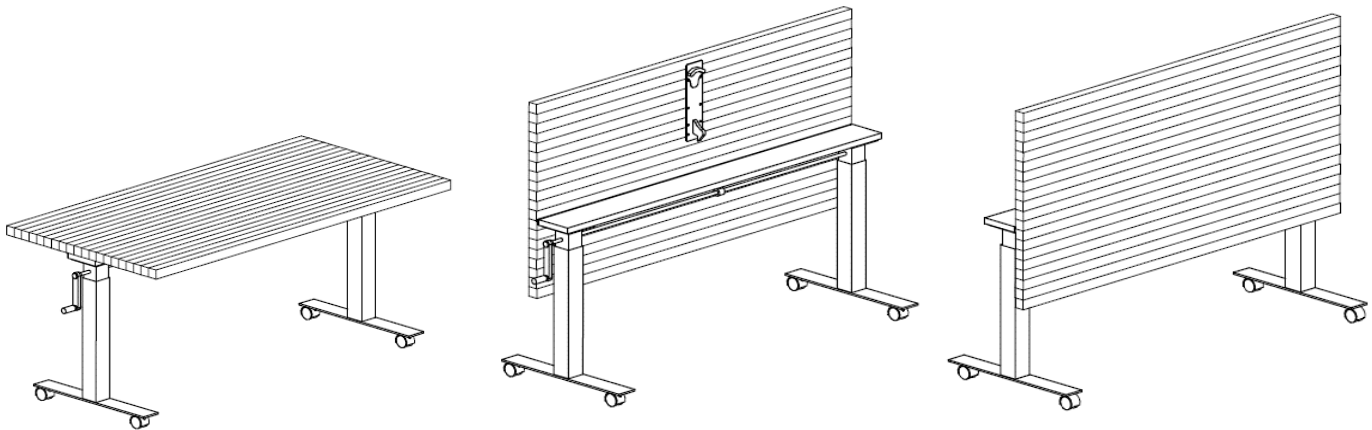
30" deep storage depth = 22" + (# tables - 1) x 7.25"

36" deep storage depth = 26" + (# tables - 1) x 7.25"

ITEM#	DESCRIPTION	WIDTH	DEPTH	HEIGHT
-------	-------------	-------	-------	--------

**maker flex tables Maple Butcher Block top - nesting / adjustable height 27"-41" h**

MF-4824-NEST-ADJT-BBK-CAS		48	24	27 - 41
MF-4830-NEST-ADJT-BBK-CAS		48	30	27 - 41
MF-4836-NEST-ADJT-BBK-CAS		48	36	27 - 41
MF-5424-NEST-ADJT-BBK-CAS		54	24	27 - 41
MF-5430-NEST-ADJT-BBK-CAS		54	30	27 - 41
MF-5436-NEST-ADJT-BBK-CAS		54	36	27 - 41
MF-6024-NEST-ADJT-BBK-CAS		60	24	27 - 41
MF-6030-NEST-ADJT-BBK-CAS		60	30	27 - 41
MF-6036-NEST-ADJT-BBK-CAS		60	36	27 - 41
MF-6624-NEST-ADJT-BBK-CAS		66	24	27 - 41
MF-6630-NEST-ADJT-BBK-CAS		66	30	27 - 41
MF-6636-NEST-ADJT-BBK-CAS		66	36	27 - 41
MF-7224-NEST-ADJT-BBK-CAS		72	24	27 - 41
MF-7230-NEST-ADJT-BBK-CAS		72	30	27 - 41
MF-7236-NEST-ADJT-BBK-CAS		72	36	27 - 41



Flip-top, hand-crank, adjustable height (29" - 41" AFF) / caster base