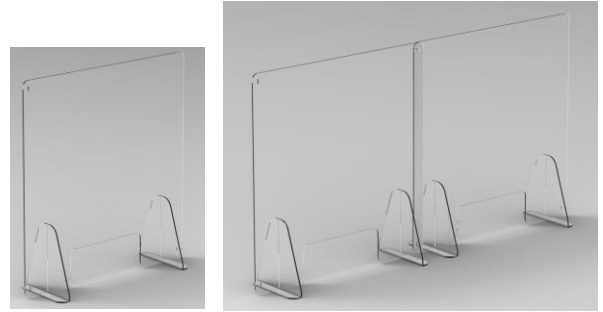


Freestanding Shield

The Freestanding Shield is a clear, movable barrier that can set up quickly to provide protection for staff members where needed. Freestanding shields are available in two heights and four widths and include a transaction slot and non-skid rubber discs that keep the shields in place. Shields can be connected together using connector bolt hardware included with every Shield. Shields are fabricated in the USA from clear, cast acrylic with smooth edges and radius corners.

Shield Standards:

- 30" & 36" heights
- 24", 30", 32" & 36" widths
- Transaction slots are 16"wide x 6"high (14"wide on 24"wide Shields)
- Includes non-skid rubber discs (use is optional)
- Includes (2) sets of ganging hardware to connect 2 shields together
- Sets up quickly and is easily relocated



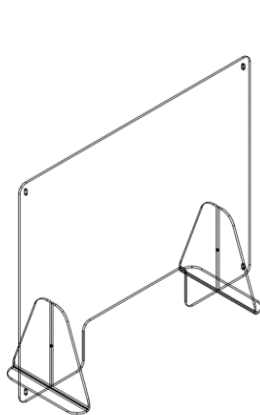
36"w x 36"h shown

(2) units ganged together

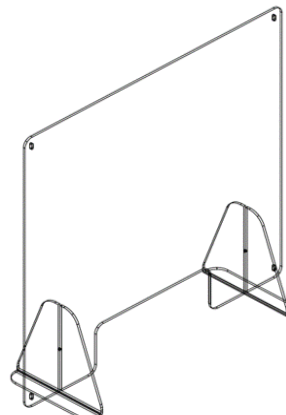
ITEM#	DESCRIPTION	WIDTH	DEPTH	HEIGHT
-------	-------------	-------	-------	--------

Freestanding Shield transaction slots

SH-POS-SP-2430	30" high	24	12	30
SH-POS-SP-3030		30	12	30
SH-POS-SP-3230		32	12	30
SH-POS-SP-3630		36	12	30
SH-POS-SP-2436	36" high	24	12	36
SH-POS-SP-3036		30	12	36
SH-POS-SP-3236		32	12	36
SH-POS-SP-3636		36	12	36



36"w x 30" h line drawing shown



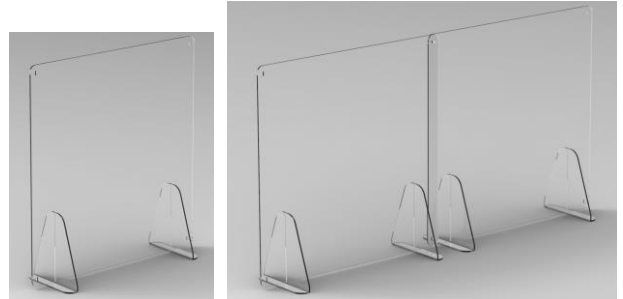
36"w x 36" h line drawing shown

Freestanding Shield - without transaction slot

The Freestanding Shield is a clear, movable barrier that can set up quickly to provide protection for staff members where needed. Freestanding shields are available in two heights and four widths and include non-skid rubber discs that keep the shields in place. Shields can be connected together using connector bolt hardware included with every Shield. Shields are fabricated in the USA from clear, cast acrylic with smooth edges and radius corners.

Shield Standards:

- 30" & 36" heights
- 24", 30", 32" & 36" widths
- Includes non-skid rubber discs (use is optional)
- Includes (2) sets of ganging hardware to connect 2 shields together
- Sets up quickly and is easily relocated



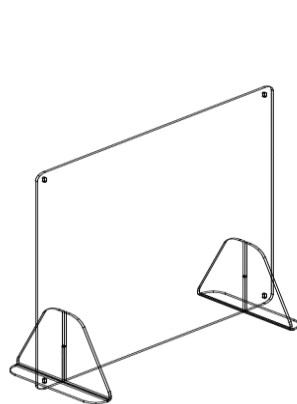
36"w x 36"h shown

(2) units ganged together

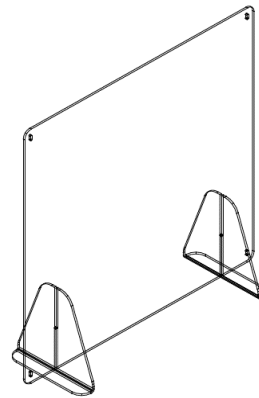
ITEM#	DESCRIPTION	WIDTH	DEPTH	HEIGHT
-------	-------------	-------	-------	--------

Freestanding Shield without transaction slots

SH-BAR-SP-2430	30" high	24	12	30
SH-BAR-SP-3030		30	12	30
SH-BAR-SP-3230		32	12	30
SH-BAR-SP-3630		36	12	30
SH-BAR-SP-2436	36" high	24	12	36
SH-BAR-SP-3036		30	12	36
SH-BAR-SP-3236		32	12	36
SH-BAR-SP-3636		36	12	36



36"w x 30"h line drawing shown



36"w x 36"h line drawing shown

Permanent Shield

The Permanent Shield is a clear, fixed barrier that can set up quickly to provide protection for staff members where needed. Permanent shields are available in two heights and six widths and include a transaction slot at the base. Each Shield comes with all the mounting hardware required. Mounting posts are made from anodized aluminum. Permanent Shields are fabricated in the USA from clear, cast acrylic with smooth edges and radius corners. Custom sized and ganging Permanent Shields are available upon request.

Shield Standards:

- 30" & 36" heights
- 24", 30", 32", 36", 42" & 48" widths
- Transaction slots are 16"wide x 6"high (14"wide on 24"wide Shields)
- Mounting posts are 24" or 30" and come with hardware to install
- Each post installs quickly with (4) screws

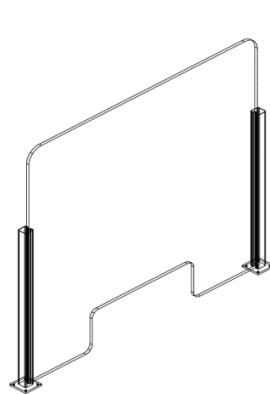


36"w x 36"h shown

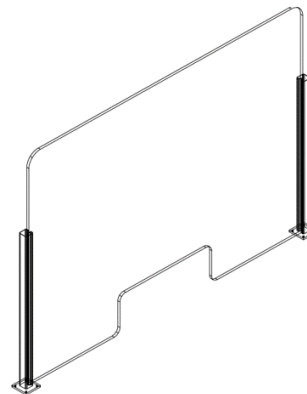
ITEM#	DESCRIPTION	WIDTH	DEPTH	HEIGHT
Permanent Shield				
transaction slots				

SH-POS-RF-2430	30" high	24	2	30
SH-POS-RF-3030		30	2	30
SH-POS-RF-3230		32	2	30
SH-POS-RF-3630		36	2	30
SH-POS-RF-4230		42	2	30
SH-POS-RF-4830		48	2	30

SH-POS-RF-2436	36" high	24	2	36
SH-POS-RF-3036		30	2	36
SH-POS-RF-3236		32	2	36
SH-POS-RF-3636		36	2	36
SH-POS-RF-4236		42	2	36
SH-POS-RF-4836		48	2	36



36"w x 36"h line drawing shown



48"w x 36"h line drawing shown

Permanent Shield - without transaction slot

The Permanent Shield is a clear, fixed barrier that can set up quickly to provide protection for staff members where needed. Permanent shields are available in two heights and six widths and come with all the mounting hardware required. Mounting posts are made from anodized aluminum. Permanent Shields are fabricated in the USA from clear, cast acrylic with smooth edges and radius corners. Custom sized and ganging Permanent Shields are available upon request.

Shield Standards:

- 30" & 36" heights
- 24", 30", 32", 36", 42" & 48" widths
- Mounting posts are 24" or 30" and come with hardware to install
- Each post installs quickly with (4) screws

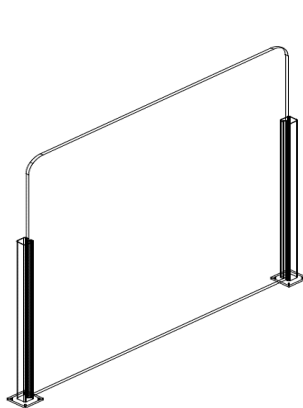


36"w x 36"h shown

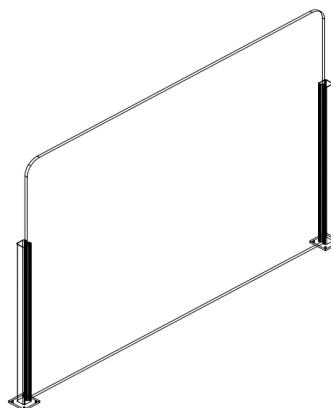
ITEM#	DESCRIPTION	WIDTH	DEPTH	HEIGHT
Permanent Shield without transaction slots				

SH-BAR-RF-2430	30" high	24	2	30
SH-BAR-RF-3030		30	2	30
SH-BAR-RF-3230		32	2	30
SH-BAR-RF-3630		36	2	30
SH-BAR-RF-4230		42	2	30
SH-BAR-RF-4830		48	2	30

SH-BAR-RF-2436	36" high	24	2	36
SH-BAR-RF-3036		30	2	36
SH-BAR-RF-3236		32	2	36
SH-BAR-RF-3636		36	2	36
SH-BAR-RF-4236		42	2	36
SH-BAR-RF-4836		48	2	36



36"w x 36"h line drawing shown



48"w x 36"h line drawing shown