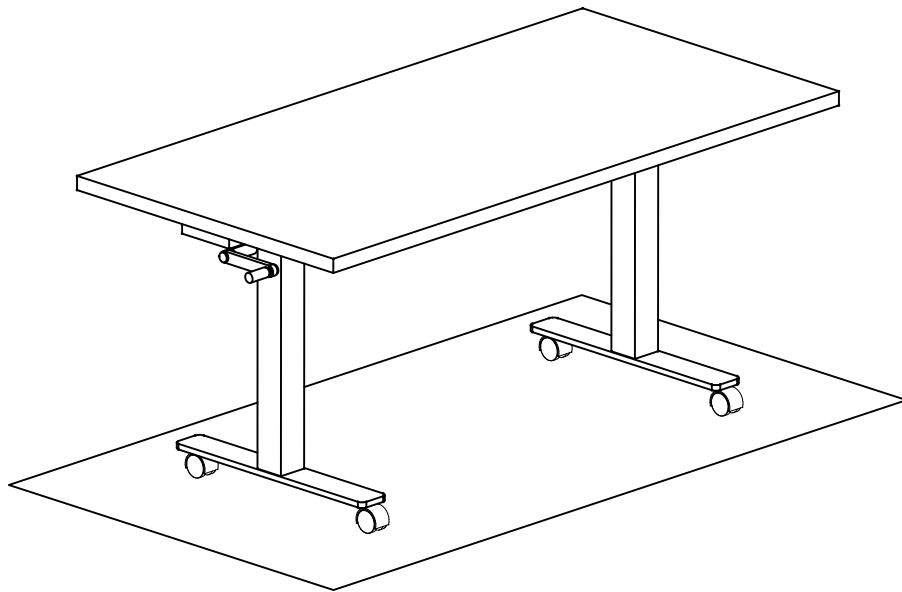
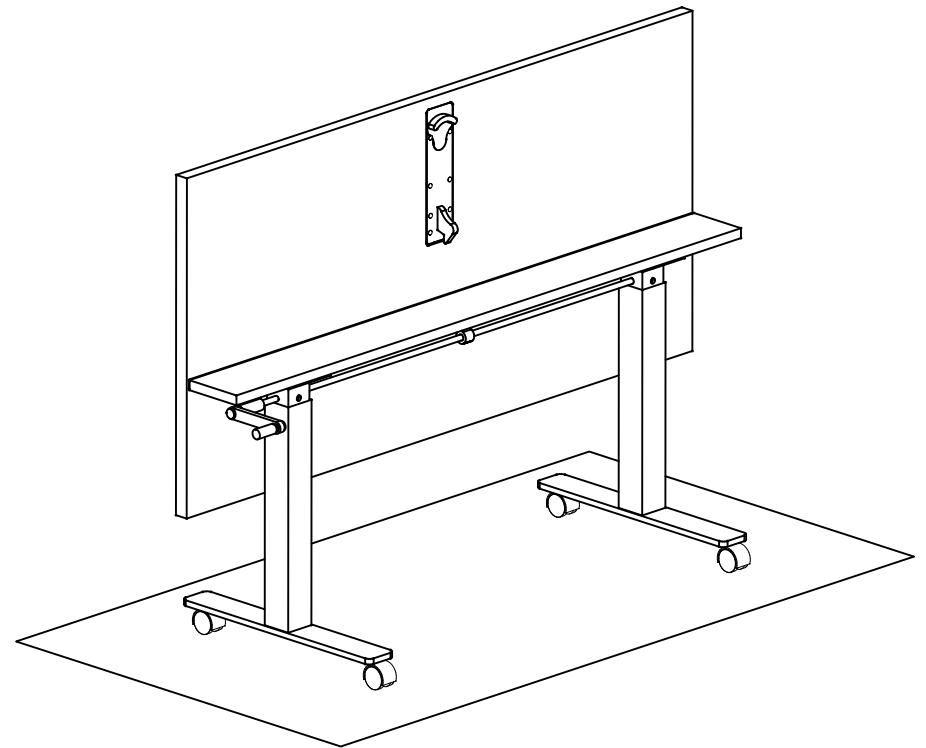


| REV # | REVISION DESCRIPTION | DATE |
|-------|----------------------|----------|
| * | * | ** ** ** |
| | | |
| | | |



ASSEMBLED TABLE



ASSEMBLED TABLE WITH TOP FLIPPED UP FOR STORAGE

PARTS LIST:

| | |
|-----------------------------------|--------|
| TABLE TOP | QTY= 1 |
| BASE COLUMN ASSEMBLIES ADT HT CW | QTY= 1 |
| BASE COLUMN ASSEMBLIES ADT HT CCW | QTY= 1 |
| BASE MAIN BARS 22"L | QTY= 2 |
| BASE MOUNTING PLATES | QTY= 2 |
| NESTER EXTRUSION ASSEMBLY | QTY= 1 |
| NESTER HANDLE ASSEMBLY | QTY= 1 |
| NESTER LID STAY ASSEMBLY | QTY= 1 |
| DRILL TEMPLATE FOR LID STAY | QTY= 1 |
| HAND CRANK DRIVE ROD | QTY= 1 |
| HAND CRANK DRIVE ROD GUIDE | QTY= 1 |
| HAND CRANK HANDLE ASSEMBLY | QTY= 1 |

HARDWARE:

| | |
|--|---------|
| PREMIUM CASTERS, 5/16"-18 X 1/2"L STEM | QTY= 4 |
| SCREW M8 X 35MM FHCS HEX DRIVE | QTY= 8 |
| SCREW M8 X 25MM FHCS HEX DRIVE | QTY= 8 |
| SCREW #12-24 X 3/4" PPH TYPE F | QTY= 18 |
| SCREW #12 X 1"L PPH | QTY= 19 |
| SCREW #8 X 1/2" PPH | QTY= 4 |
| SCREW #12 X 3/4" PPH | QTY= 2 |

WIRE MANAGEMENT:

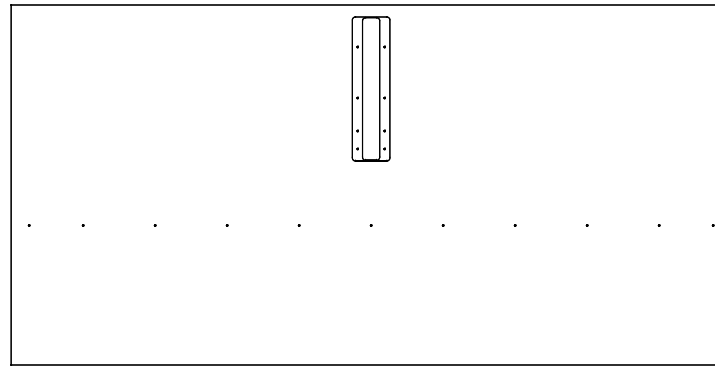
| | |
|-----|--------|
| N/A | QTY= 0 |
|-----|--------|

TOOLS REQ'D:

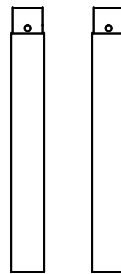
- 5MM HEX HEAD DRIVER/BIT ("T" BASE ASSEMBLY)
- PHILLIPS SCREWDRIVERS/BITS
- PENCIL
- SCRATCH AWL

NOTE:

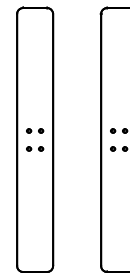
WORKURFACE HEIGHT ADJUSTABLE FROM 26" TO 40"



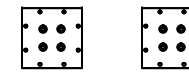
TOP PANEL (BOTTOM VIEW)



BASE COLUMNS



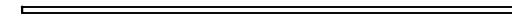
BASE MAIN BARS



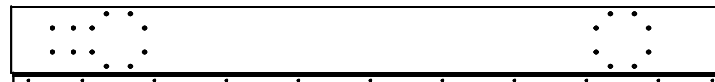
BASE MOUNTING PLATES



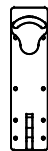
CASTERS



HAND CRANK DRIVE ROD



NESTER EXTRUSION ASSEMBLY



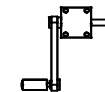
NESTER HANDLE ASSEMBLY



NESTER LID STAY ASSEMBLY



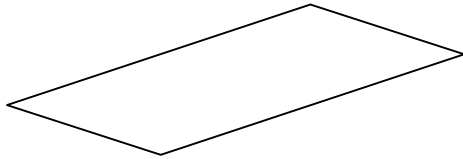
DRILL TEMPLATE FOR LID STAY



HAND CRANK HANDLE ASSEMBLY

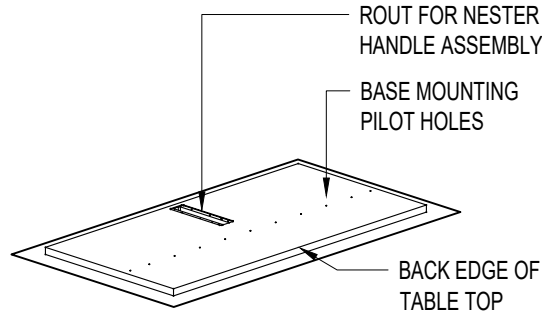


HAND CRANK DRIVE ROD GUIDE

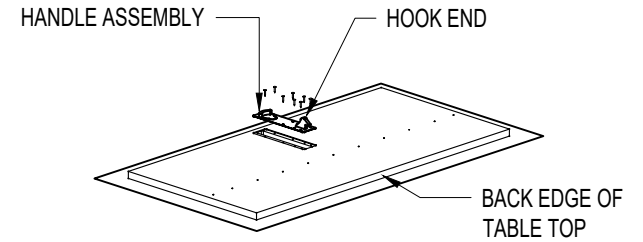


STEP 1
LAY CLEAN COVER ON FLOOR TO PROTECT FLOOR & PARTS.

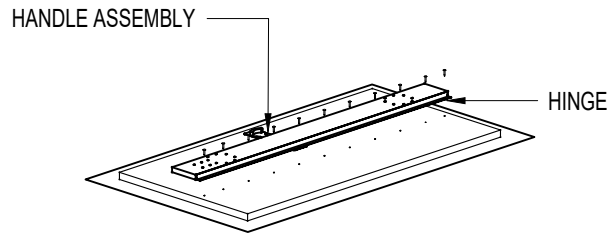
STEP 2
REMOVE ALL PACKING MATERIAL FROM TABLE BASE PARTS & TOP.
*CAUTION: TWO PEOPLE REQ'D FOR TABLE ASSEMBLY TO AVOID DAMAGE TO TABLE PARTS & PERSONAL INJURY!



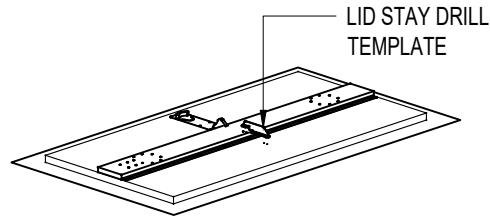
STEP 3
LAY TOP PANEL ON COVER WITH GOOD FACE TURNED DOWN.
*ROUTED RECESS FOR NESTER HANDLE ASSEMBLY & PILOT HOLES FOR MOUNTING BASE WILL BE VISIBLE.



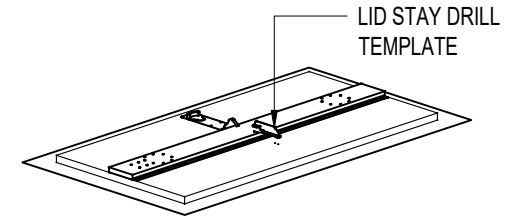
STEP 4
ALIGN HANDLE ASSEMBLY OVER ROUTED RECESS IN TOP PANEL.
*NOTE: HOOK END TO FACE TOWARD CENTER OF TABLE.
PLACE HANDLE ASSEMBLY INTO ROUTED RECESS & SECURE TO TOP PANEL WITH EIGHT #12 X 1" PPH SCREWS.



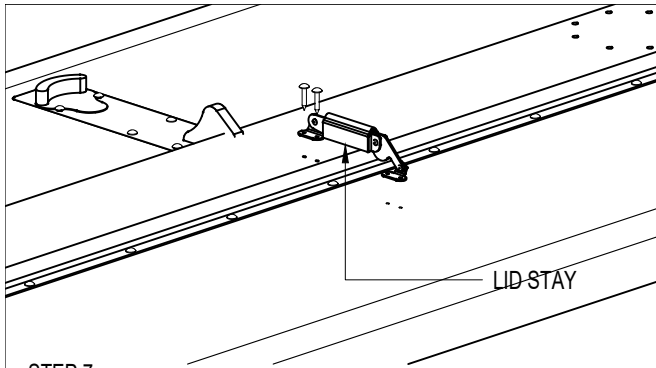
STEP 5
PLACE NESTER EXTRUSION ASSEMBLY ON TOP PANEL & ALIGN THE ROW OF MOUNTING HOLES IN THE HINGE WITH THE ROW OF PRE-DRILLED PILOT HOLES IN THE TOP PANEL.
*NOTE: ORIENTATE THE NESTER EXTRUSION ASSEMBLY SO THAT THE HINGE SIDE IS AWAY FROM THE HANDLE ASSEMBLY.
SECURE HINGE TO TOP WITH ELEVEN #12 X 1" PPH SCREWS.



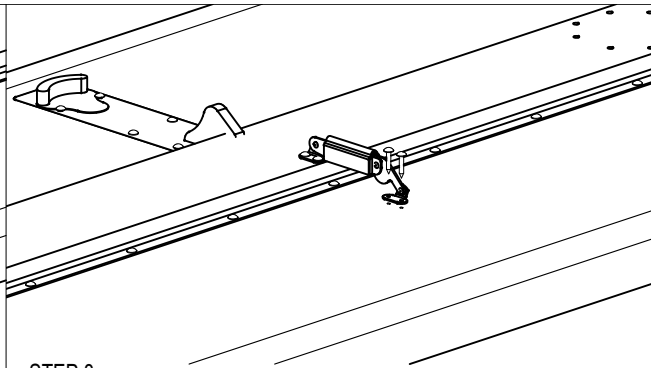
STEP 6A
POSITION LID STAY DRILL TEMPLATE AS SHOWN.
ALIGN THE TWO FRONT HOLES IN THE DRILL TEMPLATE WITH THE TWO HOLES IN THE NESTER EXTRUSION.
MARK THE TWO HOLE LOCATIONS ON THE FACE OF THE TOP WITH A PENCIL.
PUNCH THE TWO HOLE CENTERS WITH A SCRATCH AWL TO PREVENT DRILL BIT MOVEMENT WHILE DRILLING.
DRILL TWO 1/8" DIA X 3/8" DEEP PILOT HOLES.



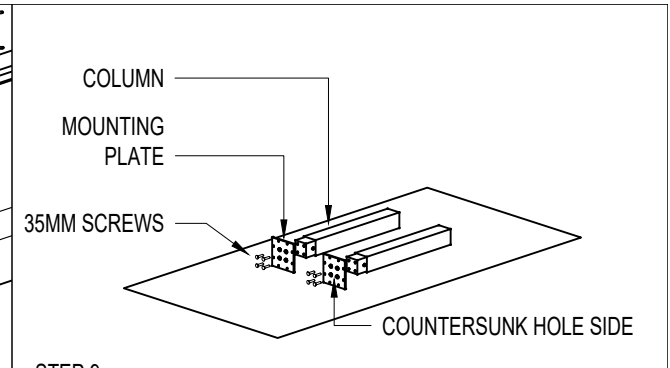
STEP 6B
IF THERE ARE NO PRE-DRILLED HOLES IN THE NESTER EXTRUSION, ALIGN THE NOTCHES IN THE DRILL TEMPLATE WITH THE CENTER OF THE TOP, SLIDE THE TEMPLATE UP TIGHT TO THE HINGE. MARK ALL FOUR HOLE LOCATIONS & DRILL FOUR 1/8" DIA X 3/8" DEEP PILOT HOLES.



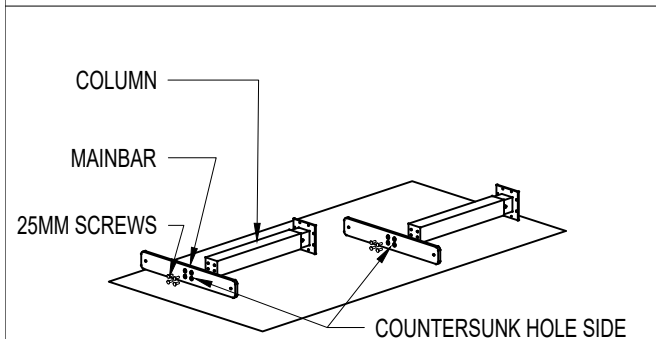
STEP 7
 SET ASIDE LID STAY DRILL TEMPLATE.
 POSITION LID STAY OVER NESTER EXTRUSION & ALIGN THE TWO HOLES IN THE LID STAY WITH THE TWO HOLES IN THE NESTER EXTRUSION.
 SECURE THE LID STAY TO THE NESTER EXTRUSION WITH TWO #12 X 1/2" SCREWS.



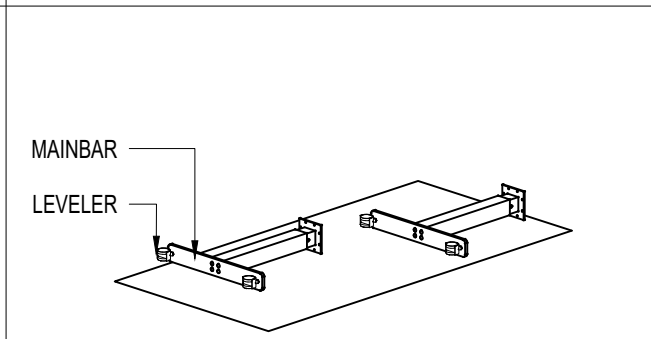
STEP 8
 SECURE LID STAY TO TABLE TOP WITH TWO #8 X 1/2" SCREWS.
 *NOTE: LID STAY SPRING MAY NEED TO COMPRESS AS SCREWS ARE INSTALLED IN ORDER FOR HOLES TO ALIGN. THIS IS NORMAL AND REQUIRED FOR PROPER OPERATION. THE LID STAY MAY HAVE A PLASTIC SPACER PRE-INSTALLED FOR EASE OF INSTALLATION. THE SPACER SHOULD FALL OUT AND CAN BE DISCARDED.



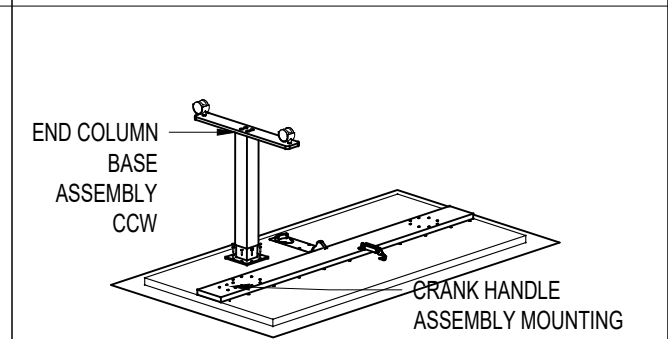
STEP 9
 LAY COLUMN BASE PARTS OUT ON CLEAN COVER ON FLOOR. ALIGN THE FOUR HOLES IN THE MOUNTING PLATE WITH THE FOUR TAPPED HOLES LOCATED IN THE TOP OF THE COLUMN.
 *NOTE: COUNTERSUNK SIDE OF HOLES IN PLATE TO FACE OUT. INSERT THE M8 X 35MM SCREWS THRU THE HOLES IN THE MOUNTING PLATE AND THREAD INTO THE TAPPED HOLES IN THE COLUMN (4/END BASE).
 USE A 5MM HEX DRIVE WRENCH TO TIGHTEN THE SCREWS TO 15 FT/LBS OF FORCE.



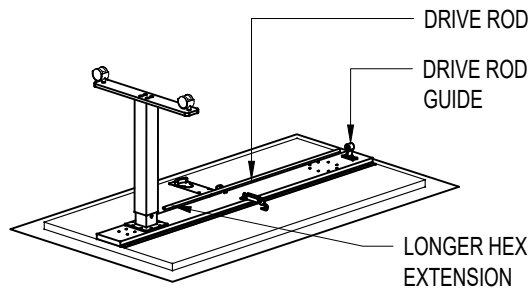
STEP 10
 ALIGN THE FOUR HOLES IN THE MAINBAR WITH THE FOUR TAPPED HOLES LOCATED IN THE BOTTOM OF THE COLUMN.
 *NOTE: COUNTERSUNK SIDE OF HOLES IN MAINBAR TO FACE OUT. INSERT THE M8 X 25MM SCREWS THRU THE HOLES IN THE MAINBAR AND THREAD INTO THE TAPPED HOLES IN THE COLUMN (4/END BASE).
 USE A 5MM HEX DRIVE WRENCH TO TIGHTEN THE SCREWS TO 15 FT/LBS OF FORCE.



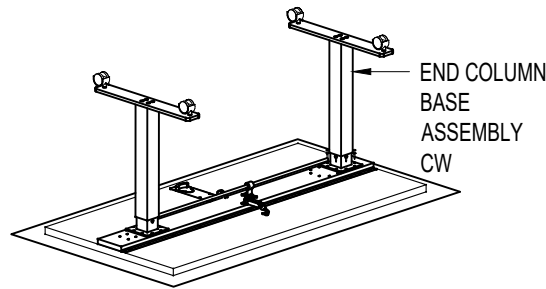
STEP 11
 MOUNT THE LEVELERS OR CASTERS TO THE MAINBAR BY TIGHTENING THE THREADED STEMS INTO THE THREADED INSERTS WELDED TO THE BOTTOM OF THE MAINBAR.



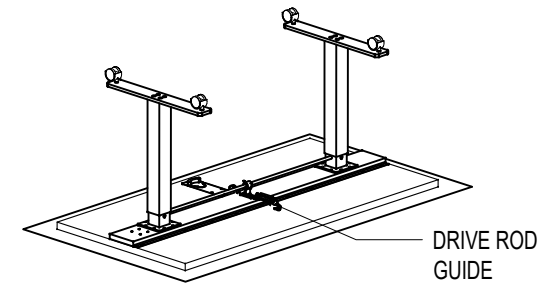
STEP 12:
 LOCATE END COLUMN BASE ASSEMBLY CCW ON THE END OF THE NESTER EXTRUSION ASSEMBLY WHERE THE CRANK HANDLE WILL BE MOUNTED.
 ALIGN THE MOUNTING HOLES IN THE MOUNTING PLATE WITH THE HOLES IN THE NESTER EXTRUSION ASSEMBLY.
 SECURE THE COLUMN ASSEMBLY TO THE NESTER EXTRUSION WITH EIGHT #12-24 X 3/4" MACHINE SCREWS.
 TORQUE SCREWS TO 3-5 FT/LBS. DO NOT OVERTIGHTEN.



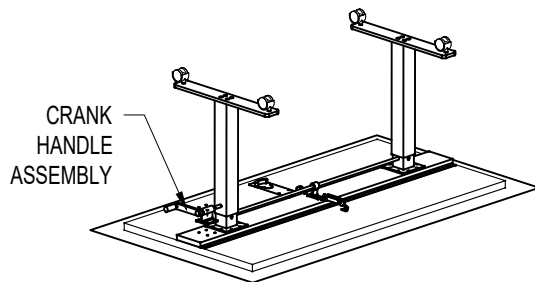
STEP 13:
 SLIDE END OF DRIVE ROD WITH LONGER HEX EXTENSION INTO HOLE LOCATED AT THE TOP OF CCW END COLUMN BASE ASSEMBLY.
 SLIDE DRIVE ROD GUIDE ONTO DRIVE ROD.



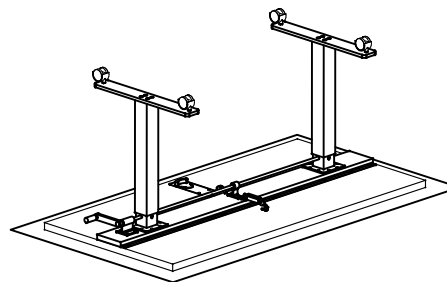
STEP 14:
 SLIDE CW END COLUMN BASE ASSEMBLY ONTO THE OPPOSITE END OF THE DRIVE ROD.
 ALIGN THE MOUNTING HOLES IN THE MOUNTING PLATE WITH THE HOLES IN THE NESTER EXTRUSION ASSEMBLY.
 SECURE THE COLUMN ASSEMBLY TO THE NESTER EXTRUSION WITH EIGHT #12-24 X 3/4" MACHINE SCREWS.



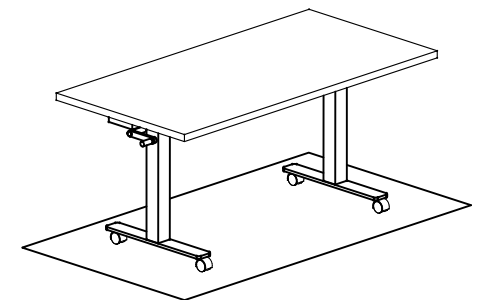
STEP 15:
 ALIGN HOLES IN DRIVE ROD GUIDE WITH HOLES LOCATED AT THE CENTER OF THE NESTER EXTRUSION ASSEMBLY.
 ATTACH THE DRIVE ROD GUIDE TO THE NESTER EXTRUSION ASSEMBLY WITH TWO #12-24 X 3/4" SCREWS.



STEP 16:
 SLIDE HAND CRANK HANDLE ASSEMBLY INTO CCW END BASE. ALIGN HOLES IN HAND CRANK HANDLE ASSEMBLY WITH HOLES LOCATED AT THE END OF THE NESTER EXTRUSION ASSEMBLY. ATTACH THE HAND CRANK ASSEMBLY TO THE NESTER EXTRUSION ASSEMBLY WITH FOUR #12-24 X 3/4" SCREWS.



STEP 17:
 CHECK ALL SCREWS FOR TIGHTNESS.
 TURN ASSEMBLED TABLE UPRIGHT.
 *CAUTION: TWO PEOPLE REQ'D TO TURN TABLE OVER TO AVOID DAMAGE TO TABLE PARTS & PERSONAL INJURY!
 *CAUTION: DO NOT PIVOT ON BASE TO AVOID DAMAGE TO TABLE BASE!



STEP 18:
 PULL HAND CRANK HANDLE OUT TO RAISE & LOWER TOP TO DESIRED HEIGHT.
 PUSH HAND CRANK HANDLE IN TO STORE BELOW TOP.
 TURN HAND CRANK HANDLE CLOCKWISE TO RAISE TABLE.
 TURN HAND CRANK HANDLE COUNTER CLOCKWISE TO LOWER TABLE.
 PULL ON NESTER HANDLE ASSEMBLY HANDLE TO RELEASE TOP AND PIVOT TOP DOWN FOR STORAGE.