

**2023
Maker Table
Specifications**

General Information

Maker Tables are durable, functional work tables for a lifetime of maker activities. Welded stainless steel table frame provides strength and heavy-duty TotalLock casters provide mobility. Optional: Adjustable glides in lieu of heavy-duty casters and powder coat finish on table frame in lieu of brushed, stainless steel finish.

Maker Table Standards with butcher block top:

Maple butcher block top is 1-1/2" thick solid hardwood with eased corners & edges
 Worksurface overhangs table frame 1-1/2" on each side
 Fully welded stainless steel frame in brushed stainless steel
 TotalLock casters

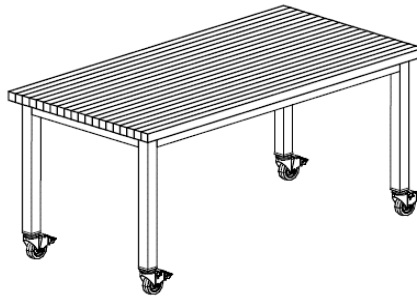


shown with brushed stainless steel base

ITEM#	DESCRIPTION	WIDTH	DEPTH	HEIGHT
-------	-------------	-------	-------	--------

maker tables with butcher block top at seated height 29"h

- MK-482429-BBK
- MK-483029-BBK
- MK-483629-BBK
- MK-602429-BBK
- MK-603029-BBK
- MK-603629-BBK
- MK-662429-BBK
- MK-663029-BBK
- MK-663629-BBK
- MK-722429-BBK
- MK-723029-BBK
- MK-723629-BBK
- MK-842429-BBK
- MK-843029-BBK
- MK-843629-BBK



48	24	29
48	30	29
48	36	29
60	24	29
60	30	29
60	36	29
66	24	29
66	30	29
66	36	29
72	24	29
72	30	29
72	36	29
84	24	29
84	30	29
84	36	29

**2023
Maker Table
Specifications**

Maker Table Standards with butcher block top:

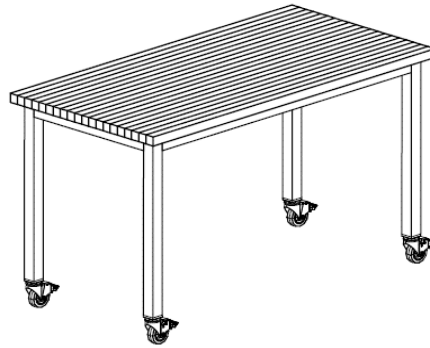
Maple butcher block top is 1-1/2" thick solid hardwood with eased corners & edges
 Worksurface overhangs table frame 1-1/2" on each side
 Fully welded stainless steel frame in brushed stainless steel
 TotalLock casters



shown with brushed stainless steel base

maker tables with butcher block top at counter height 36" h

- MK-482436-BBK
- MK-483036-BBK
- MK-483636-BBK
- MK-602436-BBK
- MK-603036-BBK
- MK-603636-BBK
- MK-662436-BBK
- MK-663036-BBK
- MK-663636-BBK
- MK-722436-BBK
- MK-723036-BBK
- MK-723636-BBK
- MK-842436-BBK
- MK-843036-BBK
- MK-843636-BBK



48	24	36
48	30	36
48	36	36
60	24	36
60	30	36
60	36	36
66	24	36
66	30	36
66	36	36
72	24	36
72	30	36
72	36	36
84	24	36
84	30	36
84	36	36

maker tables with butcher block top & adjustable height

- MK-4824ADJ-BBK
- MK-4830ADJ-BBK
- MK-4836ADJ-BBK
- MK-6024ADJ-BBK
- MK-6030ADJ-BBK
- MK-6036ADJ-BBK
- MK-6624ADJ-BBK
- MK-6630ADJ-BBK
- MK-6636ADJ-BBK
- MK-7224ADJ-BBK
- MK-7230ADJ-BBK
- MK-7236ADJ-BBK
- MK-8424ADJ-BBK
- MK-8430ADJ-BBK
- MK-8436ADJ-BBK



48	24	29-41
48	30	29-41
48	36	29-41
60	24	29-41
60	30	29-41
60	36	29-41
66	24	29-41
66	30	29-41
66	36	29-41
72	24	29-41
72	30	29-41
72	36	29-41
84	24	29-41
84	30	29-41
84	36	29-41

**2023
Maker Table
Specifications**

General Information

Maker Tables are durable, functional work tables for a lifetime of maker activities. Welded stainless steel table frame provides strength and heavy-duty TotalLock casters provide mobility. Optional: Adjustable glides in lieu of heavy-duty casters and powder coat finish on table frame in lieu of brushed, stainless steel finish.

Maker Table Standards with laminate top:

Laminate worksurface is 1-1/4" thick with 3mm PVC edge band
Standard laminates include WilsonArt, Formica, Pionite & Nevamar
Worksurface overhangs table frame 1-1/2" on each side
Fully welded stainless steel frame in brushed stainless steel
TotalLock casters

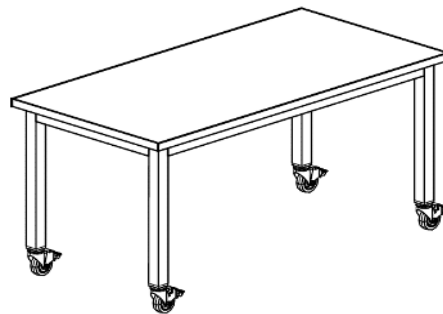


shown with brushed stainless steel base

ITEM#	DESCRIPTION	WIDTH	DEPTH	HEIGHT
-------	-------------	-------	-------	--------

maker tables with laminate top at seated height 29"h

- MK-482429-LAM
- MK-483029-LAM
- MK-483629-LAM
- MK-602429-LAM
- MK-603029-LAM
- MK-603629-LAM
- MK-662429-LAM
- MK-663029-LAM
- MK-663629-LAM
- MK-722429-LAM
- MK-723029-LAM
- MK-723629-LAM
- MK-842429-LAM
- MK-843029-LAM
- MK-843629-LAM



48	24	29
48	30	29
48	36	29
60	24	29
60	30	29
60	36	29
66	24	29
66	30	29
66	36	29
72	24	29
72	30	29
72	36	29
84	24	29
84	30	29
84	36	29

**2023
Maker Table
Specifications**

Maker Table Standards with laminate top:

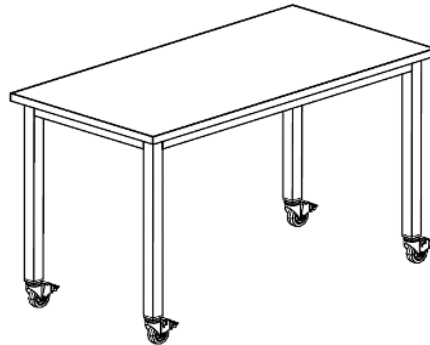
Laminate worksurface is 1-1/4" thick with 3mm PVC edge band
Standard laminates include WilsonArt, Formica, Pionite & Nevamar
Worksurface overhangs table frame 1-1/2" on each side
Fully welded stainless steel frame in brushed stainless steel
TotalLock casters



shown with brushed stainless steel base

maker tables with laminate top at counter height 36"h

- MK-482436-LAM
- MK-483036-LAM
- MK-483636-LAM
- MK-602436-LAM
- MK-603036-LAM
- MK-603636-LAM
- MK-662436-LAM
- MK-663036-LAM
- MK-663636-LAM
- MK-722436-LAM
- MK-723036-LAM
- MK-723636-LAM
- MK-842436-LAM
- MK-843036-LAM
- MK-843636-LAM



48	24	36
48	30	36
48	36	36
60	24	36
60	30	36
60	36	36
66	24	36
66	30	36
66	36	36
72	24	36
72	30	36
72	36	36
84	24	36
84	30	36
84	36	36

maker tables with laminate top & adjustable height

- MK-4824ADJ-LAM
- MK-4830ADJ-LAM
- MK-4836ADJ-LAM
- MK-6024ADJ-LAM
- MK-6030ADJ-LAM
- MK-6036ADJ-LAM
- MK-6624ADJ-LAM
- MK-6630ADJ-LAM
- MK-6636ADJ-LAM
- MK-7224ADJ-LAM
- MK-7230ADJ-LAM
- MK-7236ADJ-LAM
- MK-8424ADJ-LAM
- MK-8430ADJ-LAM
- MK-8436ADJ-LAM



48	24	29-41
48	30	29-41
48	36	29-41
60	24	29-41
60	30	29-41
60	36	29-41
66	24	29-41
66	30	29-41
66	36	29-41
72	24	29-41
72	30	29-41
72	36	29-41
84	24	29-41
84	30	29-41
84	36	29-41

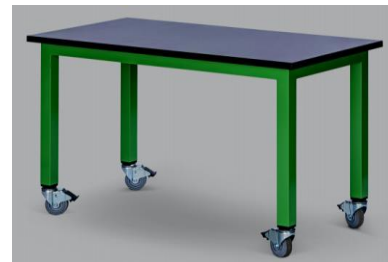
**2023
Maker Table
Specifications**

General Information

Maker Tables are durable, functional work tables for a lifetime of maker activities. Welded stainless steel table frame provides strength and heavy-duty TotalLock casters provide mobility. Optional: Adjustable glides in lieu of heavy-duty casters and powder coat finish on table frame in lieu of brushed, stainless steel finish.

Maker Table Standards with phenolic resin top:

Phenolic Resin top is 1" thick epoxy resin with eased corners & edges
 Worksurface overhangs table frame 1-1/2" on each side
 Fully welded stainless steel frame in brushed stainless steel
 TotalLock casters

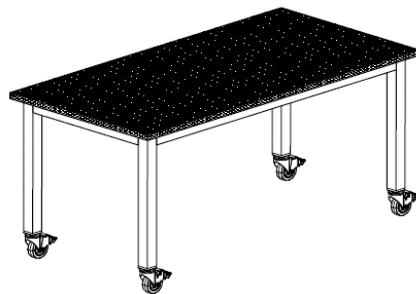


shown with powdercoated base

ITEM#	DESCRIPTION	WIDTH	DEPTH	HEIGHT
-------	-------------	-------	-------	--------

maker tables with phenolic resin top at seated height 29"h

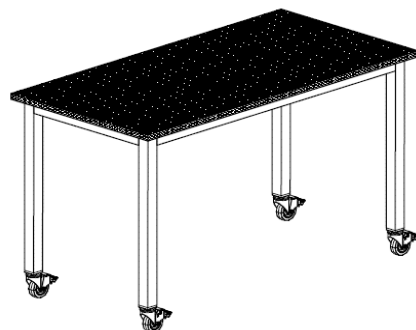
- MK-482429-RSN
- MK-483029-RSN
- MK-602429-RSN
- MK-603029-RSN
- MK-662429-RSN
- MK-663029-RSN
- MK-722429-RSN
- MK-723029-RSN



48	24	29
48	30	29
60	24	29
60	30	29
66	24	29
66	30	29
72	24	29
72	30	29

maker tables with phenolic resin top at counter height 36"h

- MK-482436-RSN
- MK-483036-RSN
- MK-602436-RSN
- MK-603036-RSN
- MK-662436-RSN
- MK-663036-RSN
- MK-722436-RSN
- MK-723036-RSN

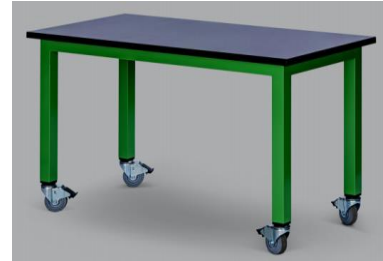


48	24	36
48	30	36
60	24	36
60	30	36
66	24	36
66	30	36
72	24	36
72	30	36

**2023
Maker Table
Specifications**

Maker Table Standards with phenolic resin top:

Phenolic Resin top is 1" thick epoxy resin with eased corners & edges
 Worksurface overhangs table frame 1-1/2" on each side
 Fully welded stainless steel frame in brushed stainless steel
 TotalLock casters



shown with powdercoated base

maker tables with phenolic resin top & adjustable height

- MK-4824ADJ-RSN
- MK-4830ADJ-RSN
- MK-6024ADJ-RSN
- MK-6030ADJ-RSN
- MK-6624ADJ-RSN
- MK-6630ADJ-RSN
- MK-7224ADJ-RSN
- MK-7230ADJ-RSN



	48	24	29-41
	48	30	29-41
	60	24	29-41
	60	30	29-41
	66	24	29-41
	66	30	29-41
	72	24	29-41
	72	30	29-41