

**2024
Maker Flex Kids
Table Specifications**

General Information

Maker Flex Kids Tables adjust from 24" to 34" high to accommodate a range of ages and activities. These tables are durable, functional work tables allowing for flexibility in program spaces. Powder coated steel table bases provide strength and casters provide mobility. Choose either a high-pressure laminate or maple butcher block top, available at a fixed height or as height-adjustable. Nesting/flip top also available. Optional: adjustable glides in lieu of casters. Tables are unassembled and ship flat.

Maker Flex™ Kids Height Table Fixed Height Standards:

Fixed Worksurface is 24" above finish floor (AFF) with casters
 Worksurface is 1-1/4" thick MDF with standard laminate surface & edge banding
 Standard Laminates are available from Wilsonart, Formica, Pionite and Nevamar
 Powder coated base available in Platinum Metallic, Black, White and Silver
 Other colors available for 5% upcharge
 Locking casters

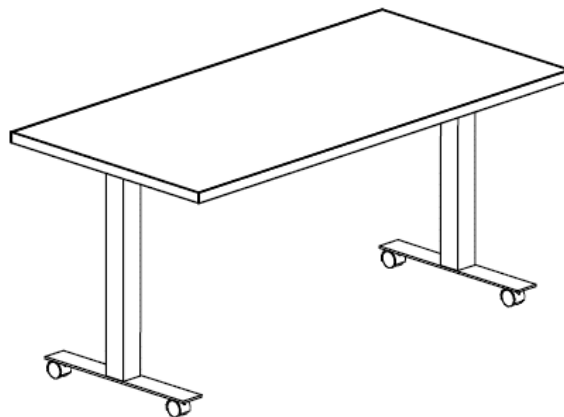


shown with platinum metallic powder coated base

ITEM#	DESCRIPTION	WIDTH	DEPTH	HEIGHT
-------	-------------	-------	-------	--------

maker flex kids tables HP Laminate top - kids height 24" h

MFC-362424-FIXT-LAM-CAS		36	24	24
MFC-363024-FIXT-LAM-CAS		36	30	24
MFC-363624-FIXT-LAM-CAS		36	36	24
MFC-422424-FIXT-LAM-CAS		42	24	24
MFC-423024-FIXT-LAM-CAS		42	30	24
MFC-423624-FIXT-LAM-CAS		42	36	24
MFC-482424-FIXT-LAM-CAS		48	24	24
MFC-483024-FIXT-LAM-CAS		48	30	24
MFC-483624-FIXT-LAM-CAS		48	36	24
MFC-542424-FIXT-LAM-CAS		54	24	24
MFC-543024-FIXT-LAM-CAS		54	30	24
MFC-543624-FIXT-LAM-CAS		54	36	24
MFC-602424-FIXT-LAM-CAS		60	24	24
MFC-603024-FIXT-LAM-CAS		60	30	24
MFC-603624-FIXT-LAM-CAS		60	36	24
MFC-662424-FIXT-LAM-CAS		66	24	24
MFC-663024-FIXT-LAM-CAS		66	30	24
MFC-663624-FIXT-LAM-CAS		66	36	24
MFC-722424-FIXT-LAM-CAS		72	24	24
MFC-723024-FIXT-LAM-CAS		72	30	24
MFC-723624-FIXT-LAM-CAS		72	36	24



Fixed kids height (24" AFF) / caster base

**2024
Maker Flex Kids
Table Specifications**

General Information

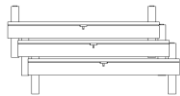
Maker Flex Kids Tables adjust from 24" to 34" high to accommodate a range of ages and activities. These tables are durable, functional work tables allowing for flexibility in program spaces. Powder coated steel table bases provide strength and casters provide mobility. Choose either a high-pressure laminate or maple butcher block top, available at a fixed height or as height-adjustable. Nesting/flip top also available. Optional: adjustable glides in lieu of casters. Tables are unassembled and ship flat.

Maker Flex™ Kids Nesting / Flip Top - Fixed Height Standards:

Nesting / Flip top Worksurface is 24" above finish floor (AFF) with casters
 Worksurface is 1-1/4" thick MDF with standard laminate surface & edge banding
 Standard Laminates are available from Wilsonart, Formica, Pionite and Nevamar
 Powder coated base available in Platinum Metallic, Black, White and Silver
 Other colors available for 5% upcharge
 Locking casters
 Tables that are 72" wide or 36" deep have two (2) release handles



shown with platinum metallic powder coated base

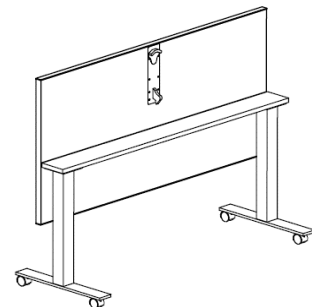
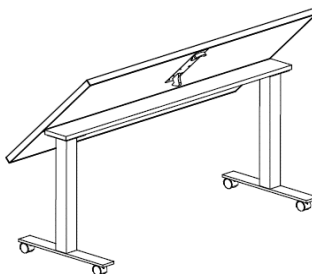
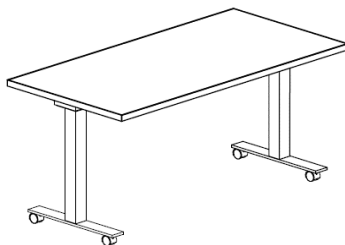


24" deep storage depth = 18" + (# tables - 1) x 7.25"
 30" deep storage depth = 22" + (# tables - 1) x 7.25"
 36" deep storage depth = 26" + (# tables - 1) x 7.25"

ITEM#	DESCRIPTION	WIDTH	DEPTH	HEIGHT
-------	-------------	-------	-------	--------

maker flex kids tables HP Laminate top - nesting / kids height 24"h

MFC-362424-NEST-FIXT-LAM-CAS		36	24	24
MFC-363024-NEST-FIXT-LAM-CAS		36	30	24
MFC-363624-NEST-FIXT-LAM-CAS		36	36	24
MFC-422424-NEST-FIXT-LAM-CAS		42	24	24
MFC-423024-NEST-FIXT-LAM-CAS		42	30	24
MFC-423624-NEST-FIXT-LAM-CAS		42	36	24
MFC-482424-NEST-FIXT-LAM-CAS		48	24	24
MFC-483024-NEST-FIXT-LAM-CAS		48	30	24
MFC-483624-NEST-FIXT-LAM-CAS		48	36	24
MFC-542424-NEST-FIXT-LAM-CAS		54	24	24
MFC-543024-NEST-FIXT-LAM-CAS		54	30	24
MFC-543624-NEST-FIXT-LAM-CAS		54	36	24
MFC-602424-NEST-FIXT-LAM-CAS		60	24	24
MFC-603024-NEST-FIXT-LAM-CAS		60	30	24
MFC-603624-NEST-FIXT-LAM-CAS		60	36	24
MFC-662424-NEST-FIXT-LAM-CAS		66	24	24
MFC-663024-NEST-FIXT-LAM-CAS		66	30	24
MFC-663624-NEST-FIXT-LAM-CAS		66	36	24
MFC-722424-NEST-FIXT-LAM-CAS		72	24	24
MFC-723024-NEST-FIXT-LAM-CAS		72	30	24
MFC-723624-NEST-FIXT-LAM-CAS		72	36	24



Nesting - Fixed kids height (24" AFF) / caster base

**2024
Maker Flex Kids
Table Specifications**

General Information

Maker Flex Kids Tables adjust from 24" to 34" high to accommodate a range of ages and activities. These tables are durable, functional work tables allowing for flexibility in program spaces. Powder coated steel table bases provide strength and casters provide mobility. Choose either a high-pressure laminate or maple butcher block top, available at a fixed height or as height-adjustable. Nesting/flip top also available. Optional: adjustable glides in lieu of casters. Tables are unassembled and ship flat.

Maker Flex™ Kids Table Height-adjustable Standards:

Height-adjustable Worksurface range is 24" - 34" above finish floor (AFF) with casters
Retractable hand crank located on patron side of table
Worksurface is 1-1/4" thick MDF with standard laminate surface & edge banding
Standard Laminates are available from Wilsonart, Formica, Pionite and Nevamar
Powder coated base available in Platinum Metallic, Black, White and Silver
Other colors available for 5% upcharge
Locking casters

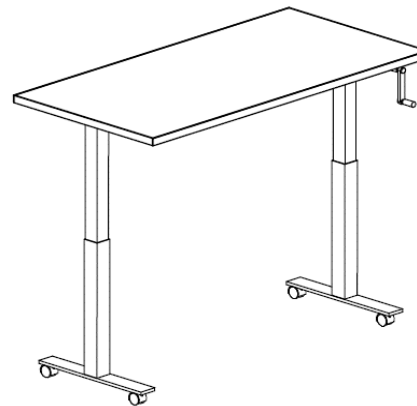
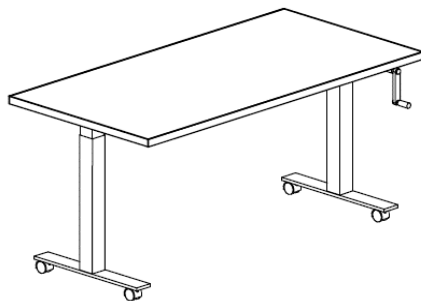


shown with platinum metallic powder coated base

ITEM#	DESCRIPTION	WIDTH	DEPTH	HEIGHT
-------	-------------	-------	-------	--------

maker flex kids tables HP Laminate top - adjustable height 24" - 34"h

MFC-3624-ADJT-LAM-CAS		36	24	24 - 34
MFC-3630-ADJT-LAM-CAS		36	30	24 - 34
MFC-3636-ADJT-LAM-CAS		36	36	24 - 34
MFC-4224-ADJT-LAM-CAS		42	24	24 - 34
MFC-4230-ADJT-LAM-CAS		42	30	24 - 34
MFC-4236-ADJT-LAM-CAS		42	36	24 - 34
MFC-4824-ADJT-LAM-CAS		48	24	24 - 34
MFC-4830-ADJT-LAM-CAS		48	30	24 - 34
MFC-4836-ADJT-LAM-CAS		48	36	24 - 34
MFC-5424-ADJT-LAM-CAS		54	24	24 - 34
MFC-5430-ADJT-LAM-CAS		54	30	24 - 34
MFC-5436-ADJT-LAM-CAS		54	36	24 - 34
MFC-6024-ADJT-LAM-CAS		60	24	24 - 34
MFC-6030-ADJT-LAM-CAS		60	30	24 - 34
MFC-6036-ADJT-LAM-CAS		60	36	24 - 34
MFC-6624-ADJT-LAM-CAS		66	24	24 - 34
MFC-6630-ADJT-LAM-CAS		66	30	24 - 34
MFC-6636-ADJT-LAM-CAS		66	36	24 - 34
MFC-7224-ADJT-LAM-CAS		72	24	24 - 34
MFC-7230-ADJT-LAM-CAS		72	30	24 - 34
MFC-7236-ADJT-LAM-CAS		72	36	24 - 34



Hand-crank, adjustable height (24" - 34" AFF) / caster base

**2024
Maker Flex Kids
Table Specifications**

General Information

Maker Flex Kids Tables adjust from 24" to 34" high to accommodate a range of ages and activities. These tables are durable, functional work tables allowing for flexibility in program spaces. Powder coated steel table bases provide strength and casters provide mobility. Choose either a high-pressure laminate or maple butcher block top, available at a fixed height or as height-adjustable. Nesting/flip top also available. Optional: adjustable glides in lieu of casters. Tables are unassembled and ship flat.

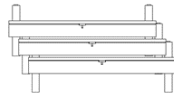
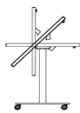
Maker Flex™ Kids Table Nesting / Flip-Top Standards:

Height-adjustable worksurface range is 24" - 34" above finish floor (AFF) with casters
Retractable hand crank located at the end of table

Worksurface is 1-1/4" thick MDF with standard laminate surface & edge banding
Standard Laminates are available from Wilsonart, Formica, Pionite and Nevamar
Powder coated base available in Platinum Metallic, Black, White and Silver
Other colors available for 5% upcharge

Locking casters

Tables that are 72" wide or 36" deep have two (2) release handles



24" deep storage depth = 18" + (# tables - 1) x 7.25"

30" deep storage depth = 22" + (# tables - 1) x 7.25"

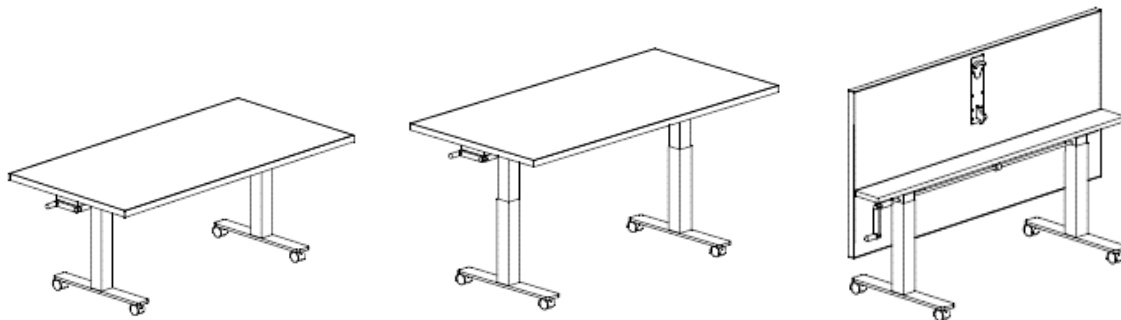
36" deep storage depth = 26" + (# tables - 1) x 7.25"

shown with platinum metallic powder coated base

ITEM#	DESCRIPTION	WIDTH	DEPTH	HEIGHT
-------	-------------	-------	-------	--------

maker flex kids tables HP Laminate top - nesting / adjustable height 24" - 34"h

MFC-3624-NEST-ADJT-LAM-CAS-RHC		36	24	24 - 34
MFC-3630-NEST-ADJT-LAM-CAS-RHC		36	30	24 - 34
MFC-3636-NEST-ADJT-LAM-CAS-RHC		36	36	24 - 34
MFC-4224-NEST-ADJT-LAM-CAS-RHC		42	24	24 - 34
MFC-4230-NEST-ADJT-LAM-CAS-RHC		42	30	24 - 34
MFC-4236-NEST-ADJT-LAM-CAS-RHC		42	36	24 - 34
MFC-4824-NEST-ADJT-LAM-CAS		48	24	24 - 34
MFC-4830-NEST-ADJT-LAM-CAS		48	30	24 - 34
MFC-4836-NEST-ADJT-LAM-CAS		48	36	24 - 34
MFC-5424-NEST-ADJT-LAM-CAS		54	24	24 - 34
MFC-5430-NEST-ADJT-LAM-CAS		54	30	24 - 34
MFC-5436-NEST-ADJT-LAM-CAS		54	36	24 - 34
MFC-6024-NEST-ADJT-LAM-CAS		60	24	24 - 34
MFC-6030-NEST-ADJT-LAM-CAS		60	30	24 - 34
MFC-6036-NEST-ADJT-LAM-CAS		60	36	24 - 34
MFC-6624-NEST-ADJT-LAM-CAS		66	24	24 - 34
MFC-6630-NEST-ADJT-LAM-CAS		66	30	24 - 34
MFC-6636-NEST-ADJT-LAM-CAS		66	36	24 - 34
MFC-7224-NEST-ADJT-LAM-CAS		72	24	24 - 34
MFC-7230-NEST-ADJT-LAM-CAS		72	30	24 - 34
MFC-7236-NEST-ADJT-LAM-CAS		72	36	24 - 34



**Nesting Flip-top, hand-crank, adjustable height (24" - 34" AFF) / caster base
RHC = Removable Hand Crank**

**2024
Maker Flex Kids
Table Specifications**

General Information

Maker Flex Kids Tables adjust from 24" to 34" high to accommodate a range of ages and activities. These tables are durable, functional work tables allowing for flexibility in program spaces. Powder coated steel table bases provide strength and casters provide mobility. Choose either a high-pressure laminate or maple butcher block top, available at a fixed height or as height-adjustable. Nesting/flip top also available. Optional: adjustable glides in lieu of casters. Tables are unassembled and ship flat.

Maker Flex™ Kids Height Table Fixed Height Standards:

Fixed Worksurface is 24" above finish floor (AFF) with casters
 Worksurface is 1-1/2" thick, solid maple butcher block with eased corners & edges
 Powder coated base available in Platinum Metallic, Black, White and Silver
 Other colors available for 5% upcharge
 Locking casters

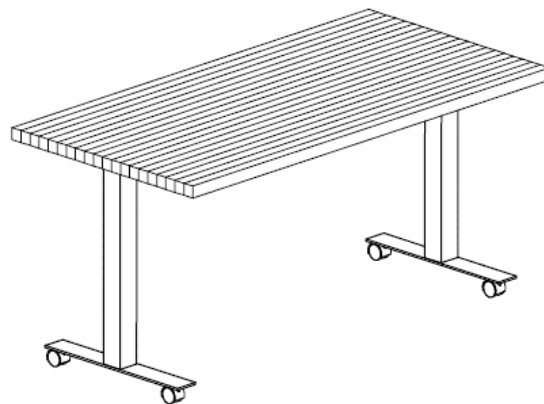


shown with platinum metallic powder coated base

ITEM#	DESCRIPTION	WIDTH	DEPTH	HEIGHT
-------	-------------	-------	-------	--------

maker flex kids tables Maple Butcher Block top - kids height 24"h

MFC-362424-FIXT-BBK-CAS		36	24	24
MFC-363024-FIXT-BBK-CAS		36	30	24
MFC-363624-FIXT-BBK-CAS		36	36	24
MFC-422424-FIXT-BBK-CAS		42	24	24
MFC-423024-FIXT-BBK-CAS		42	30	24
MFC-423624-FIXT-BBK-CAS		42	36	24
MFC-482424-FIXT-BBK-CAS		48	24	24
MFC-483024-FIXT-BBK-CAS		48	30	24
MFC-483624-FIXT-BBK-CAS		48	36	24
MFC-542424-FIXT-BBK-CAS		54	24	24
MFC-543024-FIXT-BBK-CAS		54	30	24
MFC-543624-FIXT-BBK-CAS		54	36	24
MFC-602424-FIXT-BBK-CAS		60	24	24
MFC-603024-FIXT-BBK-CAS		60	30	24
MFC-603624-FIXT-BBK-CAS		60	36	24
MFC-662424-FIXT-BBK-CAS		66	24	24
MFC-663024-FIXT-BBK-CAS		66	30	24
MFC-663624-FIXT-BBK-CAS		66	36	24
MFC-722424-FIXT-BBK-CAS		72	24	24
MFC-723024-FIXT-BBK-CAS		72	30	24
MFC-723624-FIXT-BBK-CAS		72	36	24



Fixed kids height (24" AFF) / caster base

**2024
Maker Flex Kids
Table Specifications**

General Information

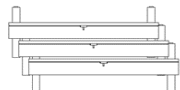
Maker Flex Kids Tables adjust from 24" to 34" high to accommodate a range of ages and activities. These tables are durable, functional work tables allowing for flexibility in program spaces. Powder coated steel table bases provide strength and casters provide mobility. Choose either a high-pressure laminate or maple butcher block top, available at a fixed height or as height-adjustable. Nesting/flip top also available. Optional: adjustable glides in lieu of casters. Tables are unassembled and ship flat.

Maker Flex™ Kids Nesting / Flip-Top - Fixed Height Standards:

Nesting / Flip top Worksurface is 24" above finish floor (AFF) with casters
 Worksurface is 1-1/2" thick, solid maple butcher block with eased corners & edges
 Standard Laminates are available from Wilsonart, Formica, Pionite and Nevamar
 Powder coated base available in Platinum Metallic, Black, White and Silver
 Other colors available for 5% upcharge
 Locking casters
 Tables that are 72" wide or 36" deep have two (2) release handles



shown with platinum metallic powder coated base

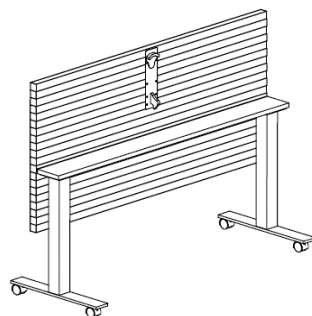
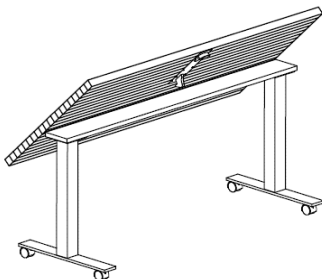
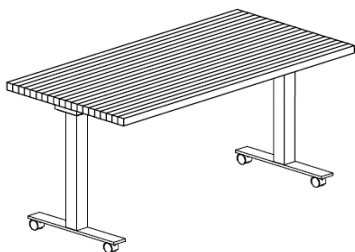


24" deep storage depth = 18" + (# tables - 1) x 7.25"
 30" deep storage depth = 22" + (# tables - 1) x 7.25"
 36" deep storage depth = 26" + (# tables - 1) x 7.25"

ITEM#	DESCRIPTION	WIDTH	DEPTH	HEIGHT
-------	-------------	-------	-------	--------

maker flex kids tables Maple Butcher Block top - nesting / kids height 24"h

MFC-362424-NEST-FIXT-BBK-CAS		36	24	24
MFC-363024-NEST-FIXT-BBK-CAS		36	30	24
MFC-363624-NEST-FIXT-BBK-CAS		36	36	24
MFC-422424-NEST-FIXT-BBK-CAS		42	24	24
MFC-423024-NEST-FIXT-BBK-CAS		42	30	24
MFC-423624-NEST-FIXT-BBK-CAS		42	36	24
MFC-482424-NEST-FIXT-BBK-CAS		48	24	24
MFC-483024-NEST-FIXT-BBK-CAS		48	30	24
MFC-483624-NEST-FIXT-BBK-CAS		48	36	24
MFC-542424-NEST-FIXT-BBK-CAS		54	24	24
MFC-543024-NEST-FIXT-BBK-CAS		54	30	24
MFC-543624-NEST-FIXT-BBK-CAS		54	36	24
MFC-602424-NEST-FIXT-BBK-CAS		60	24	24
MFC-603024-NEST-FIXT-BBK-CAS		60	30	24
MFC-603624-NEST-FIXT-BBK-CAS		60	36	24
MFC-662424-NEST-FIXT-BBK-CAS		66	24	24
MFC-663024-NEST-FIXT-BBK-CAS		66	30	24
MFC-663624-NEST-FIXT-BBK-CAS		66	36	24
MFC-722424-NEST-FIXT-BBK-CAS		72	24	24
MFC-723024-NEST-FIXT-BBK-CAS		72	30	24
MFC-723624-NEST-FIXT-BBK-CAS		72	36	24



Nesting - Fixed kids height (24" AFF) / caster base

**2024
Maker Flex Kids
Table Specifications**

General Information

Maker Flex Kids Tables adjust from 24" to 34" high to accommodate a range of ages and activities. These tables are durable, functional work tables allowing for flexibility in program spaces. Powder coated steel table bases provide strength and casters provide mobility. Choose either a high-pressure laminate or maple butcher block top, available at a fixed height or as height-adjustable. Nesting/flip top also available. Optional: adjustable glides in lieu of casters. Tables are unassembled and ship flat.

Maker Flex™ Kids Table Height-adjustable Standards:

- Height-adjustable Worksurface range is 24" - 34" above finish floor (AFF) with casters
- Retractable hand crank located on patron side of table
- Worksurface is 1-1/2" thick, solid maple butcher block with eased corners & edges
- Powder coated base available in Platinum Metallic, Black, White and Silver
- Other colors available for 5% upcharge
- Locking casters

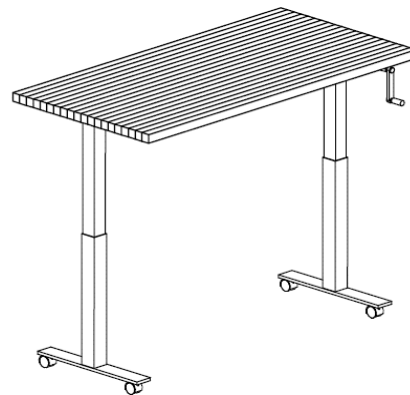
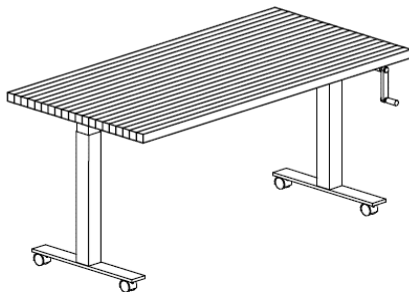


shown with platinum metallic powder coated base

ITEM#	DESCRIPTION	WIDTH	DEPTH	HEIGHT
-------	-------------	-------	-------	--------

maker flex kids tables Maple Butcher Block top - adjustable height 24"-34"h

MFC-3624-ADJT-BBK-CAS		36	24	24 - 34
MFC-3630-ADJT-BBK-CAS		36	30	24 - 34
MFC-3636-ADJT-BBK-CAS		36	36	24 - 34
MFC-4224-ADJT-BBK-CAS		42	24	24 - 34
MFC-4230-ADJT-BBK-CAS		42	30	24 - 34
MFC-4236-ADJT-BBK-CAS		42	36	24 - 34
MFC-4824-ADJT-BBK-CAS		48	24	24 - 34
MFC-4830-ADJT-BBK-CAS		48	30	24 - 34
MFC-4836-ADJT-BBK-CAS		48	36	24 - 34
MFC-5424-ADJT-BBK-CAS		54	24	24 - 34
MFC-5430-ADJT-BBK-CAS		54	30	24 - 34
MFC-5436-ADJT-BBK-CAS		54	36	24 - 34
MFC-6024-ADJT-BBK-CAS		60	24	24 - 34
MFC-6030-ADJT-BBK-CAS		60	30	24 - 34
MFC-6036-ADJT-BBK-CAS		60	36	24 - 34
MFC-6624-ADJT-BBK-CAS		66	24	24 - 34
MFC-6630-ADJT-BBK-CAS		66	30	24 - 34
MFC-6636-ADJT-BBK-CAS		66	36	24 - 34
MFC-7224-ADJT-BBK-CAS		72	24	24 - 34
MFC-7230-ADJT-BBK-CAS		72	30	24 - 34
MFC-7236-ADJT-BBK-CAS		72	36	24 - 34



Hand-crank, adjustable height (24" - 34" AFF) / caster base

**2024
Maker Flex Kids
Table Specifications**

General Information

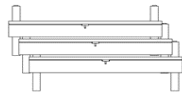
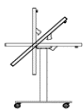
Maker Flex Kids Tables adjust from 24" to 34" high to accommodate a range of ages and activities. These tables are durable, functional work tables allowing for flexibility in program spaces. Powder coated steel table bases provide strength and casters provide mobility. Choose either a high-pressure laminate or maple butcher block top, available at a fixed height or as height-adjustable. Nesting/flip top also available. Optional: adjustable glides in lieu of casters. Tables are unassembled and ship flat.

Maker Flex™ Kids Table Nesting / Flip-Top Standards:

- Height-adjustable Worksurface range is 24" - 34" above finish floor (AFF) with casters
- Retractable hand crank located at the end of table
- Worksurface is 1-1/2" thick, solid maple butcher block with eased corners & edges
- Powder coated base available in Platinum Metallic, Black, White and Silver
- Other colors available for 5% upcharge
- Locking casters
- Tables that are 72" long or 36" deep have two (2) release handles



shown with platinum metallic powder coated base

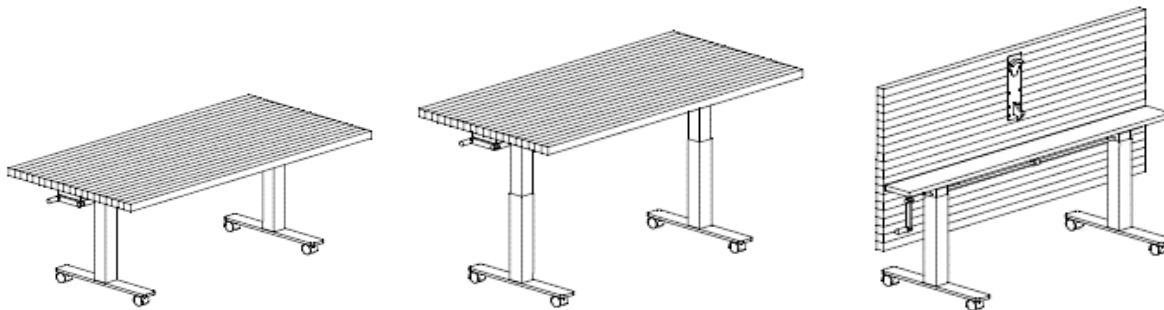


24" deep storage depth = 18" + (# tables - 1) x 7.25"
 30" deep storage depth = 22" + (# tables - 1) x 7.25"
 36" deep storage depth = 26" + (# tables - 1) x 7.25"

ITEM#	DESCRIPTION	WIDTH	DEPTH	HEIGHT
-------	-------------	-------	-------	--------

maker flex kids tables Maple Butcher Block top - nesting / adjustable height 24"-34"h

MFC-3624-NEST-ADJT-BBK-CAS-RHC	36	24	24 - 34
MFC-3630-NEST-ADJT-BBK-CAS-RHC	36	30	24 - 34
MFC-3636-NEST-ADJT-BBK-CAS-RHC	36	36	24 - 34
MFC-4224-NEST-ADJT-BBK-CAS-RHC	42	24	24 - 34
MFC-4230-NEST-ADJT-BBK-CAS-RHC	42	30	24 - 34
MFC-4236-NEST-ADJT-BBK-CAS-RHC	42	36	24 - 34
MFC-4824-NEST-ADJT-BBK-CAS	48	24	24 - 34
MFC-4830-NEST-ADJT-BBK-CAS	48	30	24 - 34
MFC-4836-NEST-ADJT-BBK-CAS	48	36	24 - 34
MFC-5424-NEST-ADJT-BBK-CAS	54	24	24 - 34
MFC-5430-NEST-ADJT-BBK-CAS	54	30	24 - 34
MFC-5436-NEST-ADJT-BBK-CAS	54	36	24 - 34
MFC-6024-NEST-ADJT-BBK-CAS	60	24	24 - 34
MFC-6030-NEST-ADJT-BBK-CAS	60	30	24 - 34
MFC-6036-NEST-ADJT-BBK-CAS	60	36	24 - 34
MFC-6624-NEST-ADJT-BBK-CAS	66	24	24 - 34
MFC-6630-NEST-ADJT-BBK-CAS	66	30	24 - 34
MFC-6636-NEST-ADJT-BBK-CAS	66	36	24 - 34
MFC-7224-NEST-ADJT-BBK-CAS	72	24	24 - 34
MFC-7230-NEST-ADJT-BBK-CAS	72	30	24 - 34
MFC-7236-NEST-ADJT-BBK-CAS	72	36	24 - 34



**Nesting Flip-top, hand-crank, adjustable height (24" - 34" AFF) / caster base
 RHC = Removable Hand Crank**

**2024
Maker Flex Kids
Table Specifications**

Maker Flex™ Kids Tables Radius Corner Option

Rounded corners with 3" radius

Available for both laminate & butcher block tops



ITEM#	DESCRIPTION	WIDTH	DEPTH	HEIGHT
-------	-------------	-------	-------	--------

maker flex tables radiused corner optional add-on

RADIUS-CORNER-LAMINATE

RADIUS-CORNER-BUTCHERBLOCK

