

maker flex tables









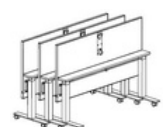

3branch maker flex tables bring durability, mobility, and height adjustability to any space. Created to be height adjustable, flip-top / nesting or both. It maximizes everyday flexibility within a space.

<https://3branch.com/product/maker-flex/>



choosing your table is as easy as 1-2-3

1 choose your flex option

-    adjustable base from 27" to 41" high with flip-top & nesting
-   adjustable base from 29" to 47" high no nesting
-   fixed 29" or 36" height with flip-top & nesting
-  fixed 29" or 36" height no nesting

From adult standard up to café height!



bring flexibility to your space

2 choose a table top surface

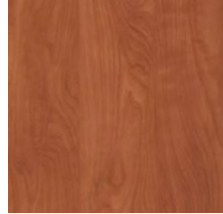
Select from a variety of surface materials: solid maple butcher block or high-pressure laminates with PVC edge. A variety of laminate colors and patterns are available, including dry erase tops. Inspirations below:



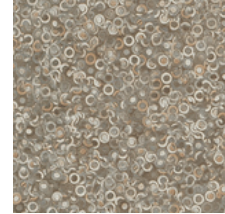
solid maple butcher block



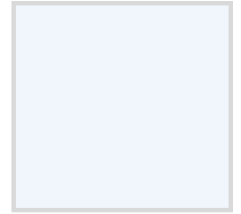
Wilsonart palisades oak



Wilsonart wild cherry



Formica beluga beige



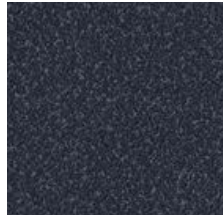
Formica white (available in writable surface)



Formica matrix blue



Wilsonart fashion grey



Formica navy grafix



Wilsonart crisp linen



Formica white drops

3 choose a base finish

4 standard powder coat base colors
(with many other options available with a nominal upcharge)



platinum metallic



silver



black



furniture white

Choose between bases with casters or adjustable glides.

Optional power and wire management systems.

Our Maker Flex & Maker Flex Kids Tables make reconfiguration of your program space easy! Contact us!

