

Maker Demonstration Table Specifications

General Information

Maker Demonstration Tables are large, functional tables with integrated storage and power. The generous surface overhang on three sides allows for stools to be pulled in for close up demonstrations or maker work. Storage available through a combination of cabinets with doors, drawers and open shelves, including a cord concealing cabinet. Welded, powder coated steel table frame provides strength and heavy-duty TotalLock casters provide mobility. Cabinets have fully finished back panels. Available with

Maker Demo Table Standards:

- Tops are available in maple butcher block, laminate, and phenolic resin
- Maple Butcher Block is 1-1/2" thick solid maple hardwood
- Laminate Worksurface is 1-1/4" thick with PVC edging. Standard Laminates available from Wilsonart, Formica, Pionite and Nevamar
- Phenolic Resin Top is 1" thick
- Worksurface overhangs table frame 8" on three sides and 2" on cabinet / drawer side
- Frame powder coat available in Platinum Metallic, Black, White and Silver.
- Other RAL colors and brushed stainless steel finish are also available. Call for pricing.
- TotalLock casters
- Locking drawers with melamine interior. Locking cabinets have one adjustable shelf and melamine interior.

| ITEM# | DESCRIPTION | WIDTH | DEPTH | HEIGHT |
|-------|-------------|-------|-------|--------|
|-------|-------------|-------|-------|--------|

maker demo tables with maple butcher block top

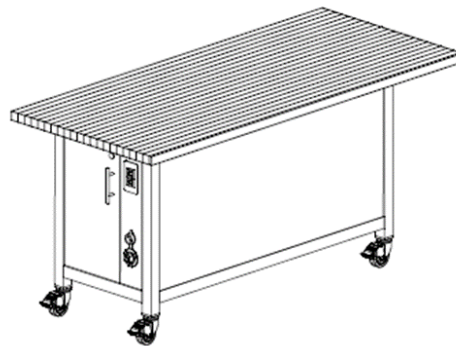
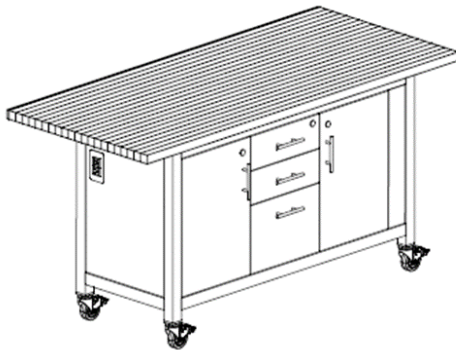
| | | | | |
|----------------------|------------------------------|----|----|----|
| MDT-723236-CMBA1-BBK | Door & Center Drawer Modules | 72 | 32 | 36 |
|----------------------|------------------------------|----|----|----|

maker demo tables with laminate top

| | | | | |
|----------------------|------------------------------|----|----|----|
| MDT-723236-CMBA1-LAM | Door & Center Drawer Modules | 72 | 32 | 36 |
|----------------------|------------------------------|----|----|----|

maker demo tables with phenolic resin top

| | | | | |
|----------------------|------------------------------|----|----|----|
| MDT-723236-CMBA1-RSN | Door & Center Drawer Modules | 72 | 32 | 36 |
|----------------------|------------------------------|----|----|----|



Maker Demonstration Table Specifications

General Information

Maker Demonstration Tables are large, functional tables with integrated storage and power. The generous surface overhang on three sides allows for stools to be pulled in for close up demonstrations or maker work. Storage available through a combination of cabinets with doors, drawers and open shelves, including a cord concealing cabinet. Welded, powder coated steel table frame provides strength and heavy-duty TotalLock casters provide mobility. Cabinets have fully finished back panels. Available with

Maker Demo Table Standards:

- Tops are available in maple butcher block, laminate, and phenolic resin
- Maple Butcher Block is 1-1/2" thick solid maple hardwood
- Laminate Worksurface is 1-1/4" thick with PVC edging. Standard Laminates available from Wilsonart, Formica, Pionite and Nevamar
- Phenolic Resin Top is 1" thick
- Worksurface overhangs table frame 8" on three sides and 2" on cabinet / drawer side
- Frame powder coat available in Platinum Metallic, Black, White and Silver.
- Other RAL colors and brushed stainless steel finish are also available. Call for pricing.
- TotalLock casters
- Locking drawers with melamine interior. Locking cabinets have one adjustable shelf and melamine interior.

| ITEM# | DESCRIPTION | WIDTH | DEPTH | HEIGHT |
|-------|-------------|-------|-------|--------|
|-------|-------------|-------|-------|--------|

maker demo tables with maple butcher block top

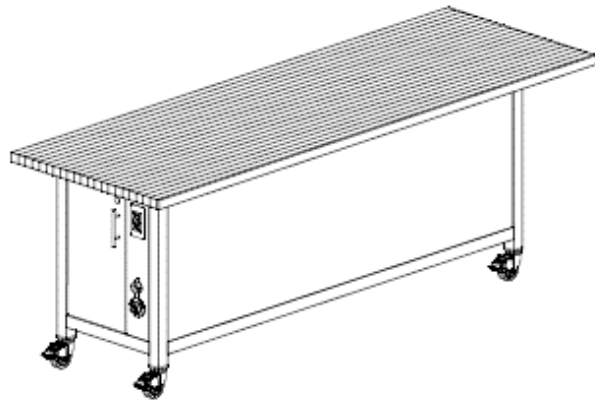
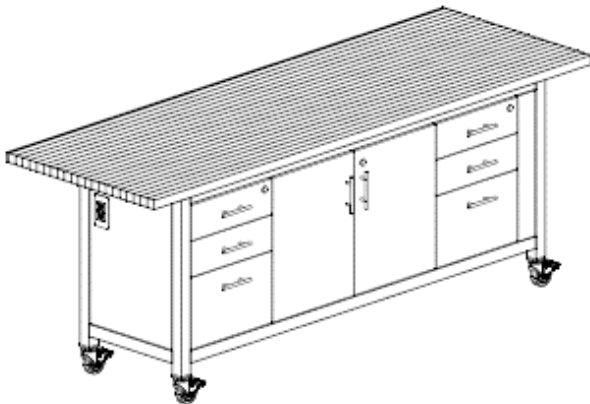
| | | | | |
|----------------------|------------------------------|----|----|----|
| MDT-963236-CMBA1-BBK | Drawer & Center Door Modules | 96 | 32 | 36 |
|----------------------|------------------------------|----|----|----|

maker demo tables with laminate top

| | | | | |
|----------------------|------------------------------|----|----|----|
| MDT-963236-CMBA1-LAM | Drawer & Center Door Modules | 96 | 32 | 36 |
|----------------------|------------------------------|----|----|----|

maker demo tables with phenolic resin top

| | | | | |
|----------------------|------------------------------|----|----|----|
| MDT-963236-CMBA1-RSN | Drawer & Center Door Modules | 96 | 32 | 36 |
|----------------------|------------------------------|----|----|----|



Maker Demonstration Table Specifications

General Information

Maker Demonstration Tables are large, functional tables with integrated storage and power. The generous surface overhang on three sides allows for stools to be pulled in for close up demonstrations or maker work. Storage available through a combination of cabinets with doors, drawers and open shelves, including a cord concealing cabinet. Welded, powder coated steel table frame provides strength and heavy-duty TotalLock casters provide mobility. Cabinets have fully finished back panels. Available with

Maker Demo Table Standards:

- Tops are available in maple butcher block, laminate, and phenolic resin
- Maple Butcher Block is 1-1/2" thick solid maple hardwood
- Laminate Worksurface is 1-1/4" thick with PVC edging. Standard Laminates available from Wilsonart, Formica, Pionite and Nevamar
- Phenolic Resin Top is 1" thick
- Worksurface overhangs table frame 8" on three sides and 2" on cabinet / drawer side
- Frame powder coat available in Platinum Metallic, Black, White and Silver.
- Other RAL colors and brushed stainless steel finish are also available. Call for pricing.
- TotalLock casters
- Locking cabinets have one adjustable shelf and melamine interior.

| ITEM# | DESCRIPTION | WIDTH | DEPTH | HEIGHT |
|-------|-------------|-------|-------|--------|
|-------|-------------|-------|-------|--------|

maker demo tables with maple butcher block top

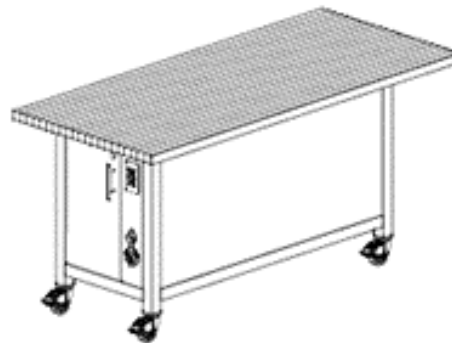
| | | | | |
|----------------------|--------------|----|----|----|
| MDT-723236-DOMA1-BBK | Door Modules | 72 | 32 | 36 |
|----------------------|--------------|----|----|----|

maker demo tables with laminate top

| | | | | |
|----------------------|--------------|----|----|----|
| MDT-723236-DOMA1-LAM | Door Modules | 72 | 32 | 36 |
|----------------------|--------------|----|----|----|

maker demo tables with phenolic resin top

| | | | | |
|----------------------|--------------|----|----|----|
| MDT-723236-DOMA1-RSN | Door Modules | 72 | 32 | 36 |
|----------------------|--------------|----|----|----|



Maker Demonstration Table Specifications

General Information

Maker Demonstration Tables are large, functional tables with integrated storage and power. The generous surface overhang on three sides allows for stools to be pulled in for close up demonstrations or maker work. Storage available through a combination of cabinets with doors, drawers and open shelves, including a cord concealing cabinet. Welded, powder coated steel table frame provides strength and heavy-duty TotalLock casters provide mobility. Cabinets have fully finished back panels. Available with

Maker Demo Table Standards:

- Tops are available in maple butcher block, laminate, and phenolic resin
- Maple Butcher Block is 1-1/2" thick solid maple hardwood
- Laminate Worksurface is 1-1/4" thick with PVC edging. Standard Laminates available from Wilsonart, Formica, Pionite and Nevamar
- Phenolic Resin Top is 1" thick
- Worksurface overhangs table frame 8" on three sides and 2" on cabinet / drawer side
- Frame powder coat available in Platinum Metallic, Black, White and Silver.
- Other RAL colors and brushed stainless steel finish are also available. Call for pricing.
- TotalLock casters
- Locking cabinets have one adjustable shelf and melamine interior.

| ITEM# | DESCRIPTION | WIDTH | DEPTH | HEIGHT |
|-------|-------------|-------|-------|--------|
|-------|-------------|-------|-------|--------|

maker demo tables with maple butcher block top

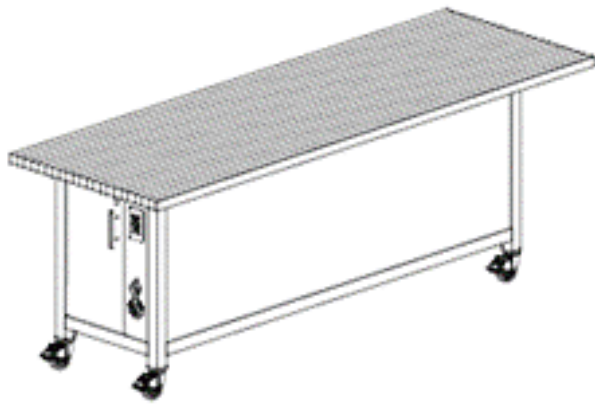
| | | | | |
|----------------------|--------------|----|----|----|
| MDT-963236-DOMA1-BBK | Door Modules | 96 | 32 | 36 |
|----------------------|--------------|----|----|----|

maker demo tables with laminate top

| | | | | |
|----------------------|--------------|----|----|----|
| MDT-963236-DOMA1-LAM | Door Modules | 96 | 32 | 36 |
|----------------------|--------------|----|----|----|

maker demo tables with phenolic resin top

| | | | | |
|----------------------|--------------|----|----|----|
| MDT-963236-DOMA1-RSN | Door Modules | 96 | 32 | 36 |
|----------------------|--------------|----|----|----|



Maker Demonstration Table Specifications

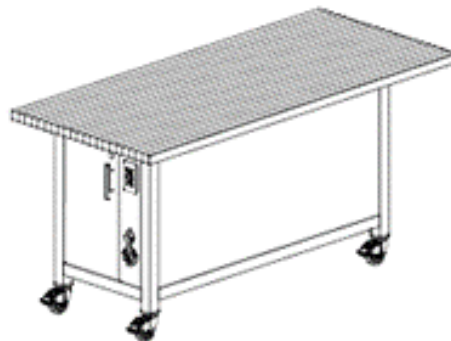
General Information

Maker Demonstration Tables are large, functional tables with integrated storage and power. The generous surface overhang on three sides allows for stools to be pulled in for close up demonstrations or maker work. Storage available through a combination of cabinets with doors, drawers and open shelves, including a cord concealing cabinet. Welded, powder coated steel table frame provides strength and heavy-duty TotalLock casters provide mobility. Cabinets have fully finished back panels. Available with

Maker Demo Table Standards:

Tops are available in maple butcher block, laminate, and phenolic resin
 Maple Butcher Block is 1-1/2" thick solid maple hardwood
 Laminate Worksurface is 1-1/4" thick with PVC edging. Standard Laminates available from Wilsonart, Formica, Pionite and Nevamar
 Phenolic Resin Top is 1" thick
 Worksurface overhangs table frame 8" on three sides and 2" on cabinet / drawer side
 Frame powder coat available in Platinum Metallic, Black, White and Silver.
 Other RAL colors and brushed stainless steel finish are also available. Call for pricing.
 TotalLock casters
 Shelving modules have one adjustable shelf and matching laminate interior.

| ITEM# | DESCRIPTION | WIDTH | DEPTH | HEIGHT |
|-------------------------------------------------------|-----------------------|-------|-------|--------|
| maker demo tables with maple butcher block top | | | | |
| MDT-723236-OSMA1-BBK | Open Shelving Modules | 72 | 32 | 36 |
| maker demo tables with laminate top | | | | |
| MDT-723236-OSMA1-LAM | Open Shelving Modules | 72 | 32 | 36 |
| maker demo tables with phenolic resin top | | | | |
| MDT-723236-OSMA1-RSN | Open Shelving Modules | 72 | 32 | 36 |



Maker Demonstration Table Specifications

General Information

Maker Demonstration Tables are large, functional tables with integrated storage and power. The generous surface overhang on three sides allows for stools to be pulled in for close up demonstrations or maker work. Storage available through a combination of cabinets with doors, drawers and open shelves, including a cord concealing cabinet. Welded, powder coated steel table frame provides strength and heavy-duty TotalLock casters provide mobility. Cabinets have fully finished back panels. Available with

Maker Demo Table Standards:

- Tops are available in maple butcher block, laminate, and phenolic resin
- Maple Butcher Block is 1-1/2" thick solid maple hardwood
- Laminate Worksurface is 1-1/4" thick with PVC edging. Standard Laminates available from Wilsonart, Formica, Pionite and Nevamar
- Phenolic Resin Top is 1" thick
- Worksurface overhangs table frame 8" on three sides and 2" on cabinet / drawer side
- Frame powder coat available in Platinum Metallic, Black, White and Silver.
- Other RAL colors and brushed stainless steel finish are also available. Call for pricing.
- TotalLock casters
- Shelving modules have one adjustable shelf and matching laminate interior.

| ITEM# | DESCRIPTION | WIDTH | DEPTH | HEIGHT |
|-------|-------------|-------|-------|--------|
|-------|-------------|-------|-------|--------|

maker demo tables with maple butcher block top

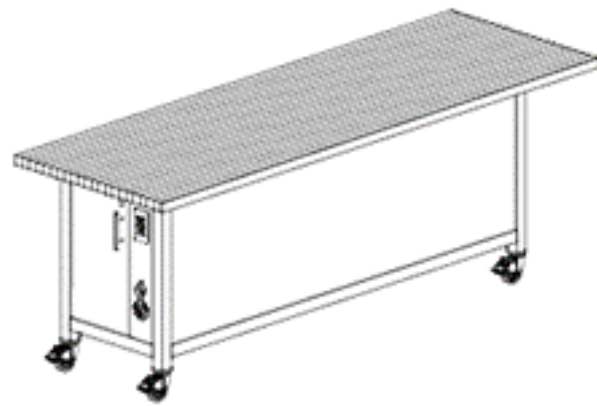
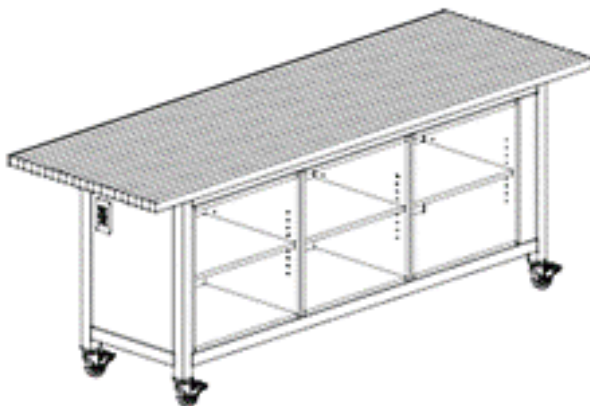
| | | | | |
|----------------------|-----------------------|----|----|----|
| MDT-963236-OSMA1-BBK | Open Shelving Modules | 96 | 32 | 36 |
|----------------------|-----------------------|----|----|----|

maker demo tables with laminate top

| | | | | |
|----------------------|-----------------------|----|----|----|
| MDT-963236-OSMA1-LAM | Open Shelving Modules | 96 | 32 | 36 |
|----------------------|-----------------------|----|----|----|

maker demo tables with phenolic resin top

| | | | | |
|----------------------|-----------------------|----|----|----|
| MDT-963236-OSMA1-RSN | Open Shelving Modules | 96 | 32 | 36 |
|----------------------|-----------------------|----|----|----|



Maker Demonstration Table Specifications

General Information

Maker Demonstration Tables are large, functional tables with integrated storage and power. The generous surface overhang on three sides allows for stools to be pulled in for close up demonstrations or maker work. Storage available through a combination of cabinets with doors, drawers and open shelves, including a cord concealing cabinet. Welded, powder coated steel table frame provides strength and heavy-duty TotalLock casters provide mobility. Cabinets have fully finished back panels. Available with

Maker Demo Table Standards:

- Tops are available in maple butcher block, laminate, and phenolic resin
- Maple Butcher Block is 1-1/2" thick solid maple hardwood
- Laminate Worksurface is 1-1/4" thick with PVC edging. Standard Laminates available from Wilsonart, Formica, Pionite and Nevamar
- Phenolic Resin Top is 1" thick
- Worksurface overhangs table frame 8" on three sides and 2" on cabinet / drawer side
- Frame powder coat available in Platinum Metallic, Black, White and Silver.
- Other RAL colors and brushed stainless steel finish are also available. Call for pricing.
- TotalLock casters
- Locking drawers with melamine interior.

| ITEM# | DESCRIPTION | WIDTH | DEPTH | HEIGHT |
|-------|-------------|-------|-------|--------|
|-------|-------------|-------|-------|--------|

maker demo tables with maple butcher block top

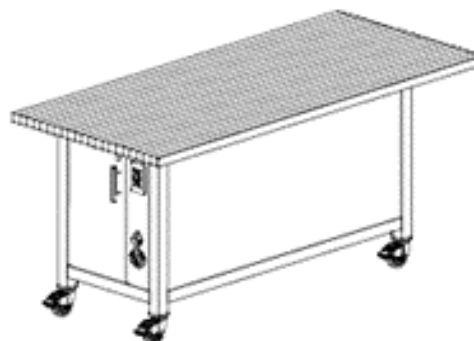
| | | | | |
|----------------------|----------------|----|----|----|
| MDT-723236-DWMA1-BBK | Drawer Modules | 72 | 32 | 36 |
|----------------------|----------------|----|----|----|

maker demo tables with laminate top

| | | | | |
|----------------------|----------------|----|----|----|
| MDT-723236-DWMA1-LAM | Drawer Modules | 72 | 32 | 36 |
|----------------------|----------------|----|----|----|

maker demo tables with phenolic resin top

| | | | | |
|----------------------|----------------|----|----|----|
| MDT-723236-DWMA1-RSN | Drawer Modules | 72 | 32 | 36 |
|----------------------|----------------|----|----|----|



Maker Demonstration Table Specifications

General Information

Maker Demonstration Tables are large, functional tables with integrated storage and power. The generous surface overhang on three sides allows for stools to be pulled in for close up demonstrations or maker work. Storage available through a combination of cabinets with doors, drawers and open shelves, including a cord concealing cabinet. Welded, powder coated steel table frame provides strength and heavy-duty TotalLock casters provide mobility. Cabinets have fully finished back panels. Available with

Maker Demo Table Standards:

- Tops are available in maple butcher block, laminate, and phenolic resin
- Maple Butcher Block is 1-1/2" thick solid maple hardwood
- Laminate Worksurface is 1-1/4" thick with PVC edging. Standard Laminates available from Wilsonart, Formica, Pionite and Nevamar
- Phenolic Resin Top is 1" thick
- Worksurface overhangs table frame 8" on three sides and 2" on cabinet / drawer side
- Frame powder coat available in Platinum Metallic, Black, White and Silver.
- Other RAL colors and brushed stainless steel finish are also available. Call for pricing.
- TotalLock casters
- Locking drawers with melamine interior.

| ITEM# | DESCRIPTION | WIDTH | DEPTH | HEIGHT |
|-------------------------------------------------------|----------------|-------|-------|--------|
| maker demo tables with maple butcher block top | | | | |
| MDT-963236-DWMA1-BBK | Drawer Modules | 96 | 32 | 36 |
| maker demo tables with laminate top | | | | |
| MDT-963236-DWMA1-LAM | Drawer Modules | 96 | 32 | 36 |
| maker demo tables with phenolic resin top | | | | |
| MDT-963236-DWMA1-RSN | Drawer Modules | 96 | 32 | 36 |

