

maker demonstration table

Designed to provide a large surface to spread out on in front of a large class or pull your smaller class right up to this large table for close-up instruction. The generous overhang, integrated power hub, and range of configurations allow this table to be the anchor of your maker lab or instruction space.

Let us demonstrate the range of sizes, finishes, and options!

3branch.com/product/demonstration-table



let us demonstrate!

Available in 72" or 96" widths.

Select from a variety of surface materials.

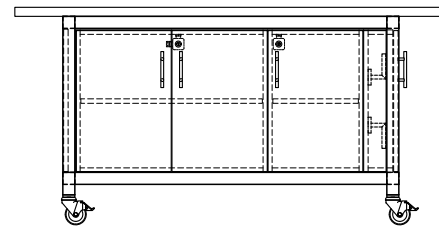
Many configurations of cabinet doors, drawers, open shelving, and combinations are available.

Table of Contents

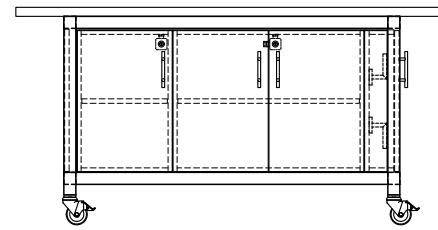
- Line Views of 72" & 96" Widths
- Configuration Renderings (Doors, Drawers, Open Shelf & Combo) for both 72" & 96" Widths
- Detailed Line Drawings of Configurations
- Finish Sheet
- Gallery



DOOR

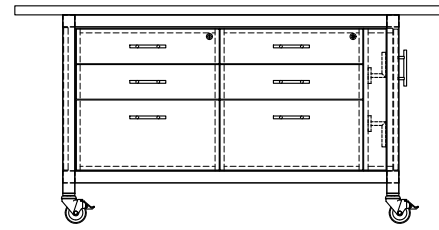


DOM-72-A1L

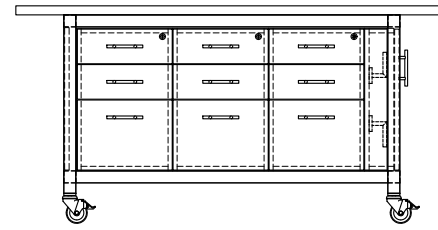


DOM-72-A1R

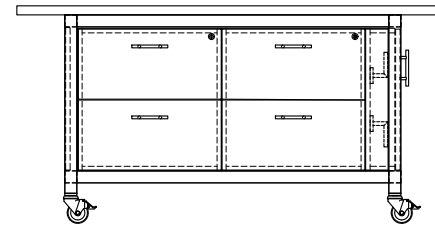
DRAWER



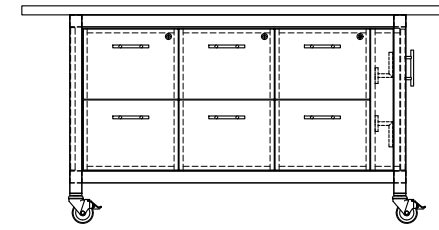
DWM-72-A1



DWM-72-A2

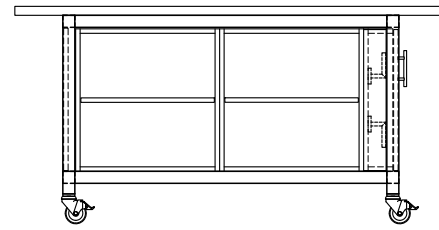


DWM-72-B1

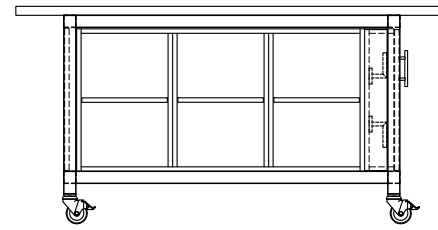


DWM-72-B2

OPEN

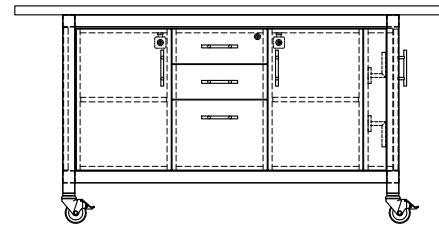


OSM-72-A1

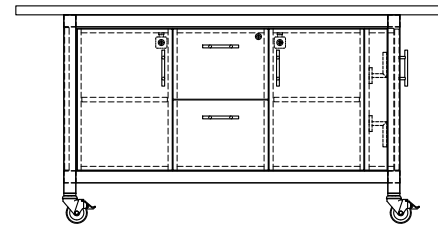


OSM-72-A2

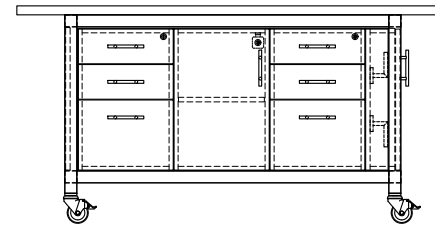
COMBO



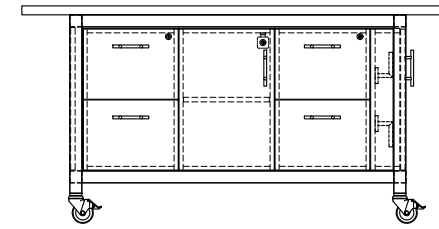
CMB-72-A1



CMB-72-A2

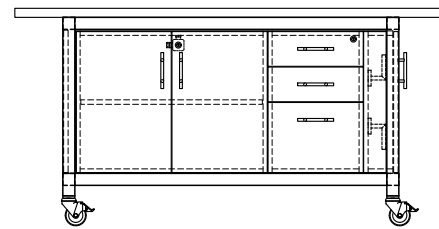


CMB-72-B1

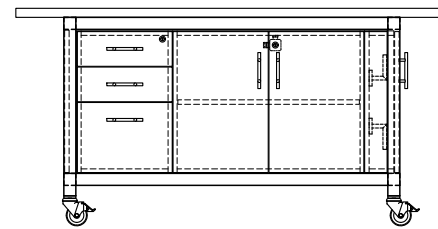


CMB-72-B2

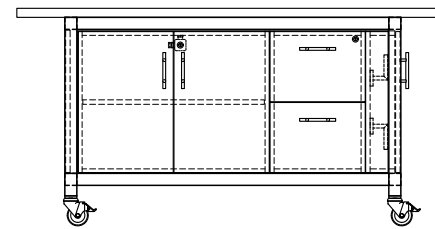
COMBO



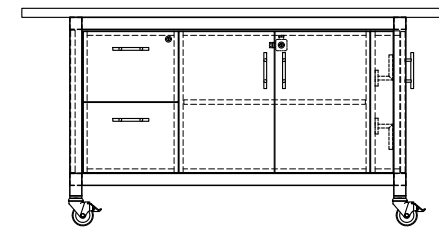
CMB-72-C1L



CMB-72-C1R

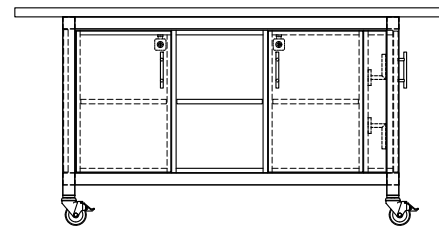


CMB-72-C2L

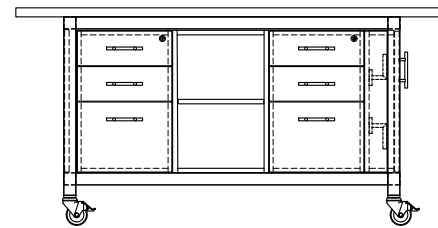


CMB-72-C2R

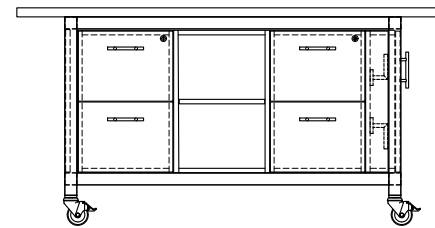
COMBO



CMB-72-D1

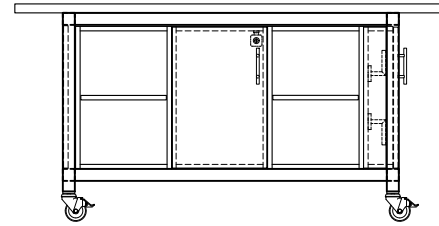


CMB-72-D2

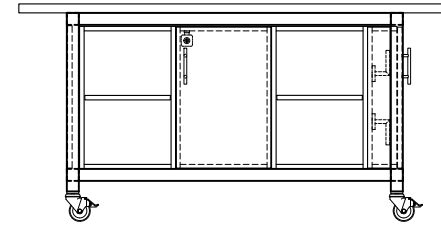


CMB-72-D3

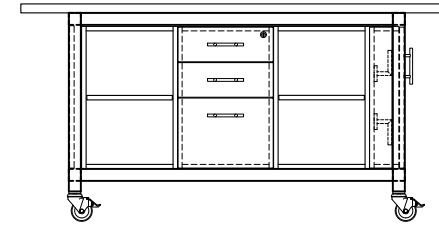
COMBO



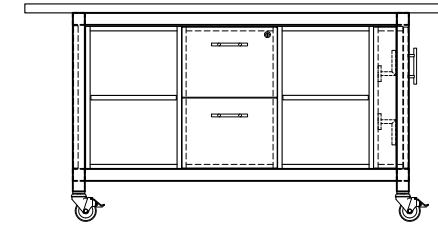
CMB-72-E1L



CMB-72-E1R

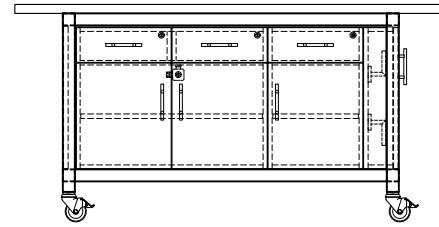


CMB-72-E2

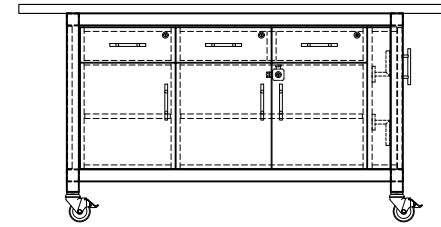


CMB-72-E3

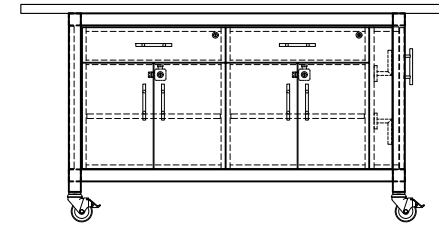
COMBO



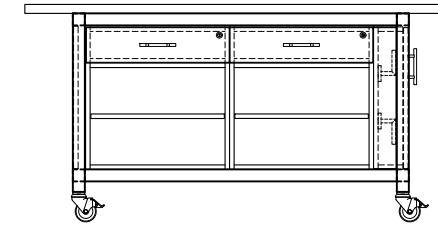
CMB-72-F1L



CMB-72-F1R

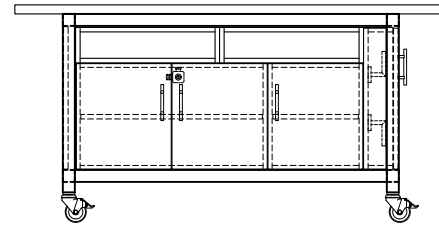


CMB-72-G

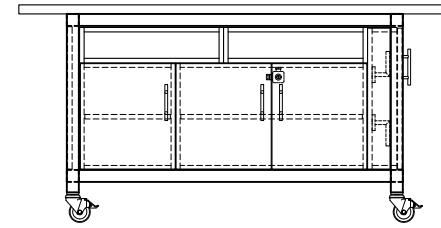


CMB-72-H1

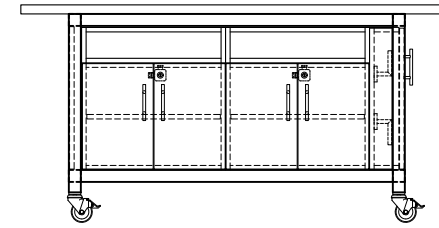
COMBO



CMB-72-I1L

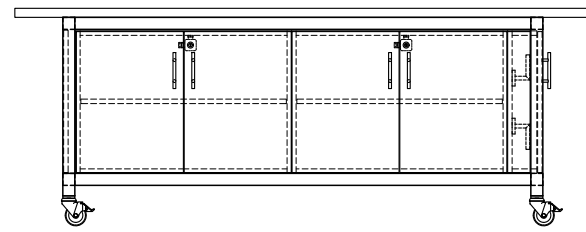


CMB-72-I1R



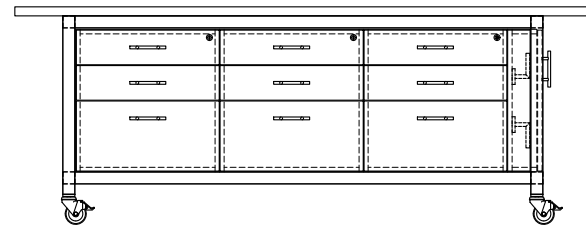
CMB-72-J1

DOOR

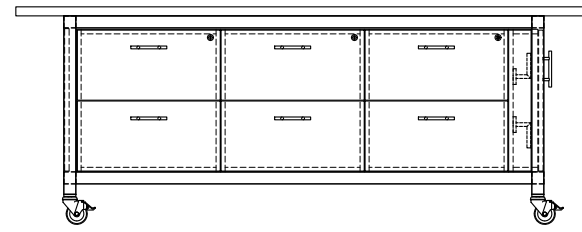


DOM-96-A1

DRAWER

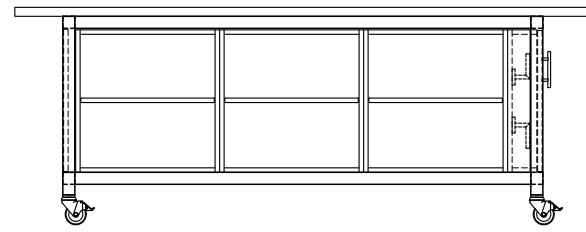


DWM-96-A1



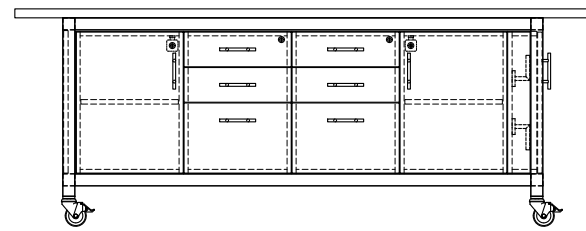
DWM-96-B1

OPEN

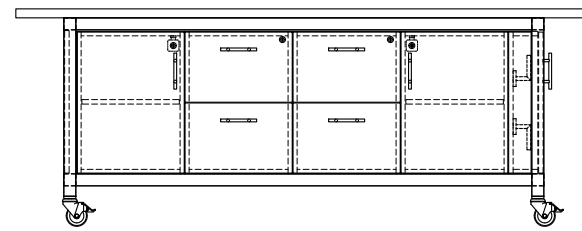


OSM-96-A1

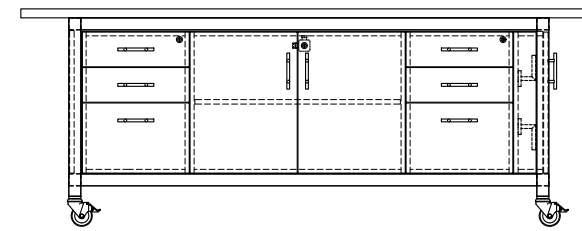
COMBO



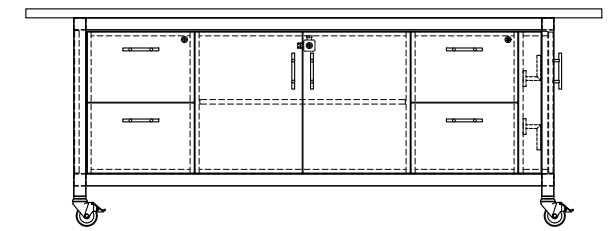
CMB-96-A1



CMB-96-A2

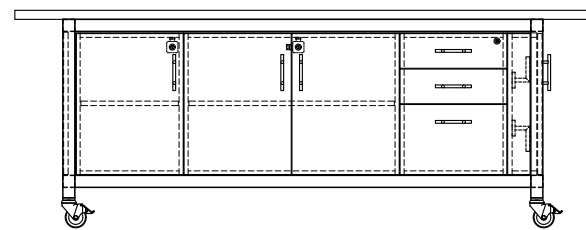


CMB-96-B1

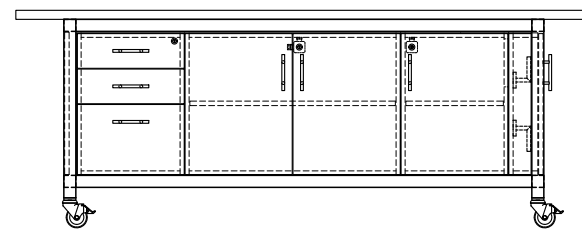


CMB-96-B1

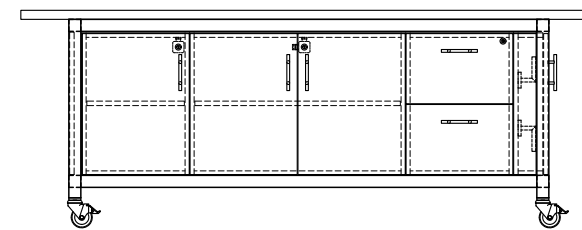
COMBO



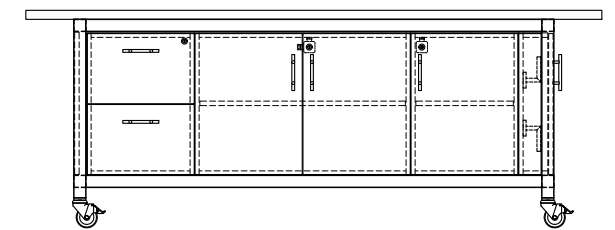
CMB-96-C1L



CMB-96-C1R

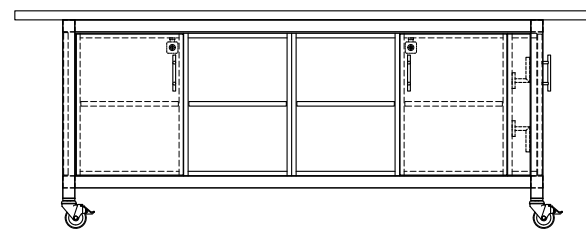


CMB-96-C2L

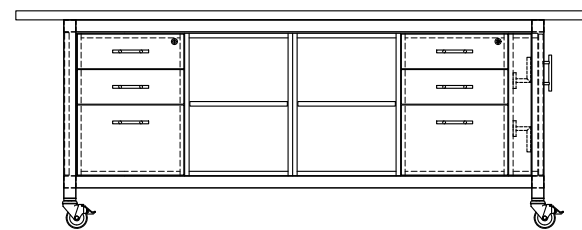


CMB-96-C2R

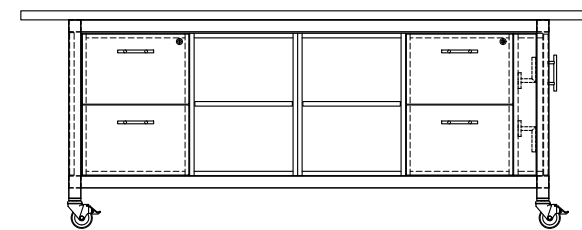
COMBO



CMB-96-D1

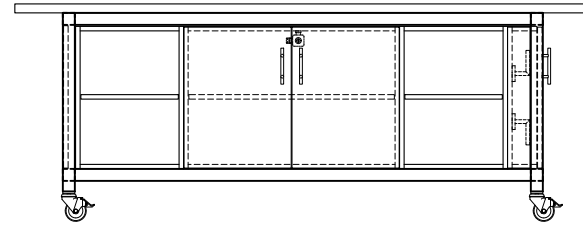


CMB-96-D2

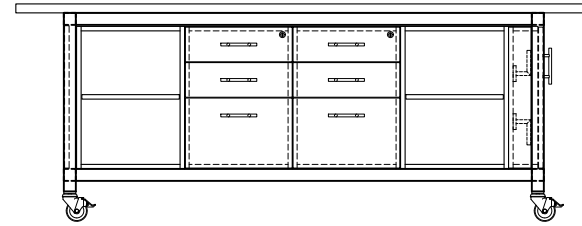


CMB-96-D3

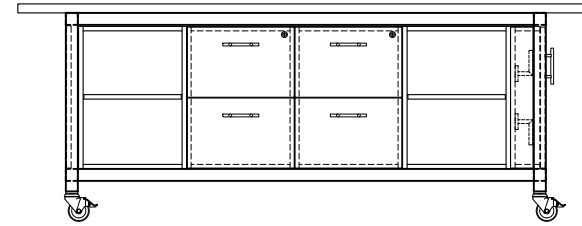
COMBO



CMB-96-E1

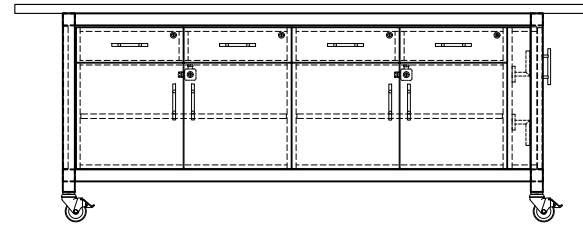


CMB-96-E2

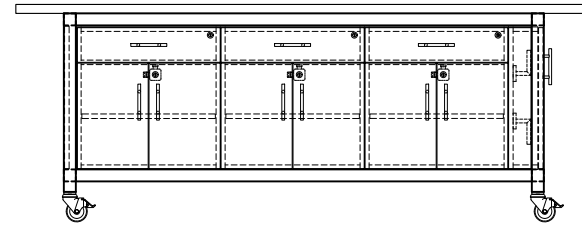


CMB-96-E3

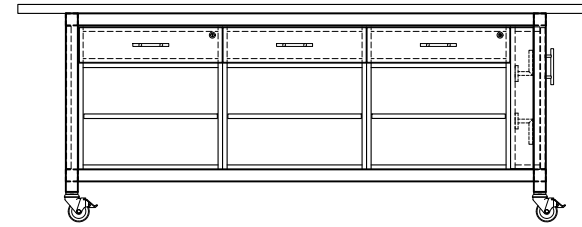
COMBO



CMB-96-F1

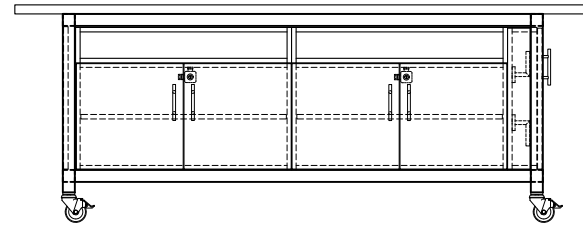


CMB-96-G1

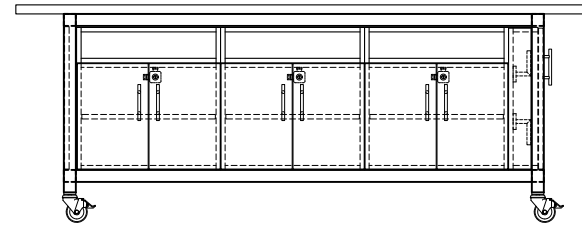


CMB-96-H1

COMBO



CMB-96-I1R



CMB-96-J1

72" configuration types



doors



drawers



participant view



open shelving



combinations

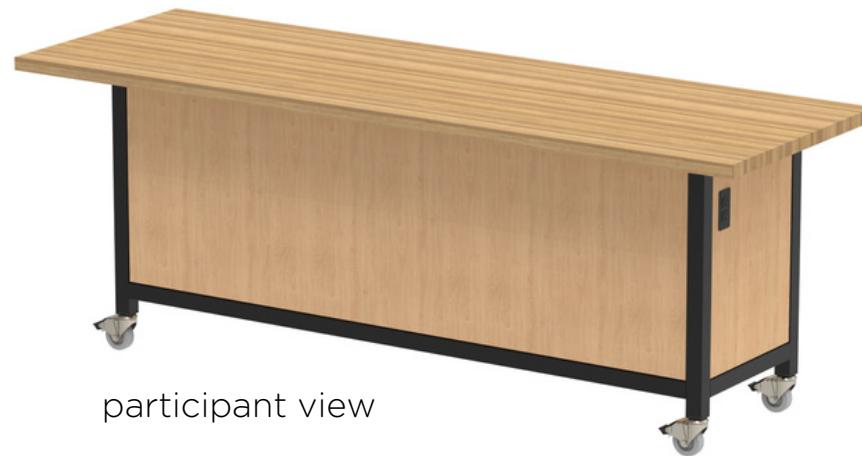
96" configuration types



doors



drawers



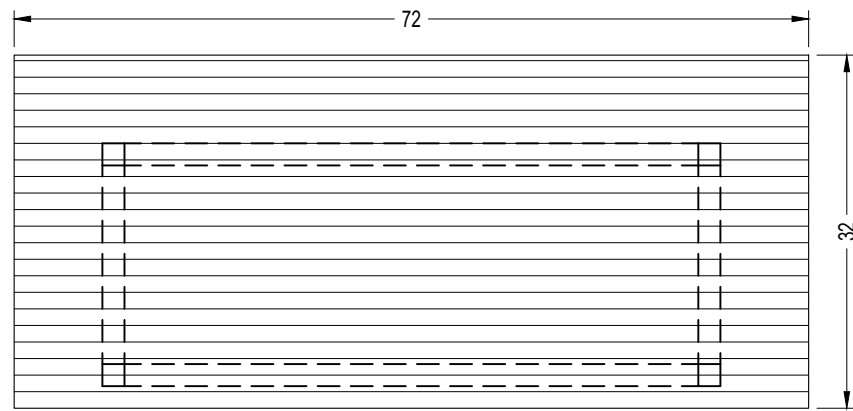
participant view



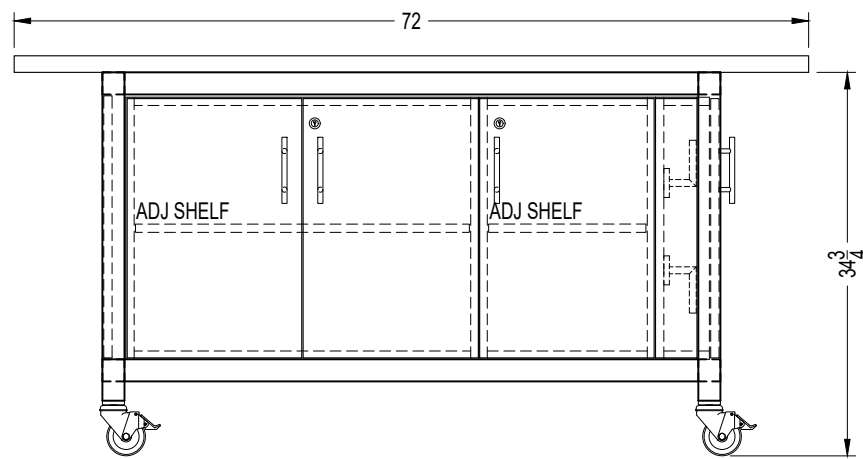
open shelving



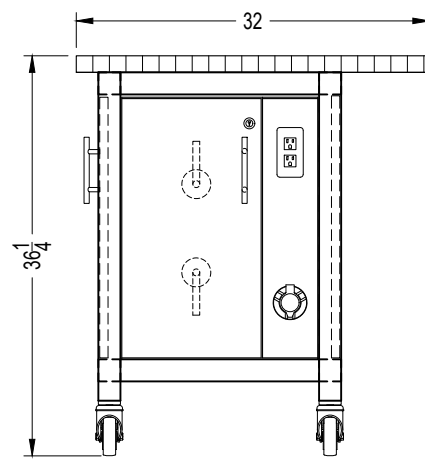
combinations



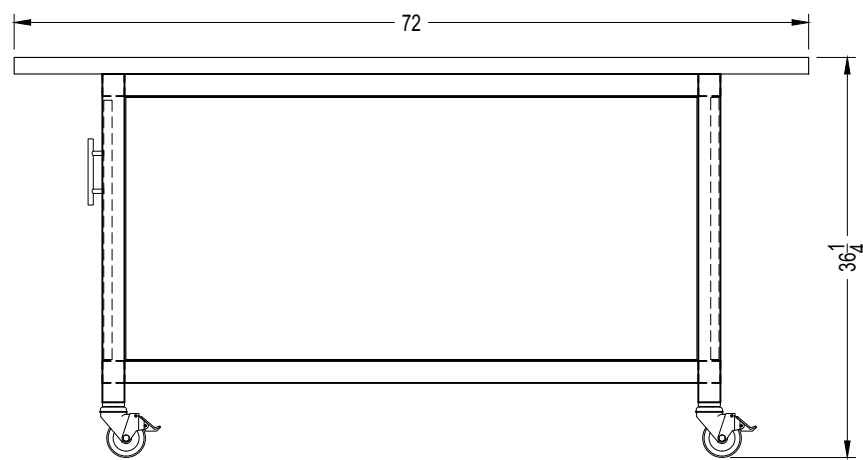
PLAN VIEW



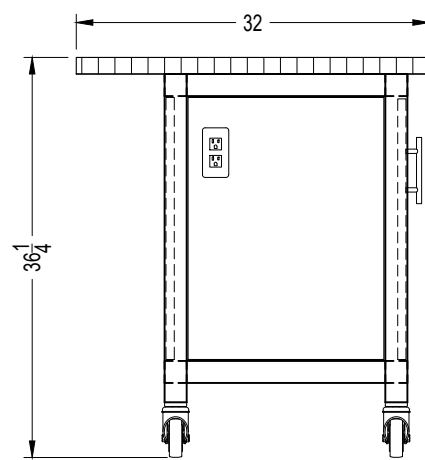
FRONT VIEW



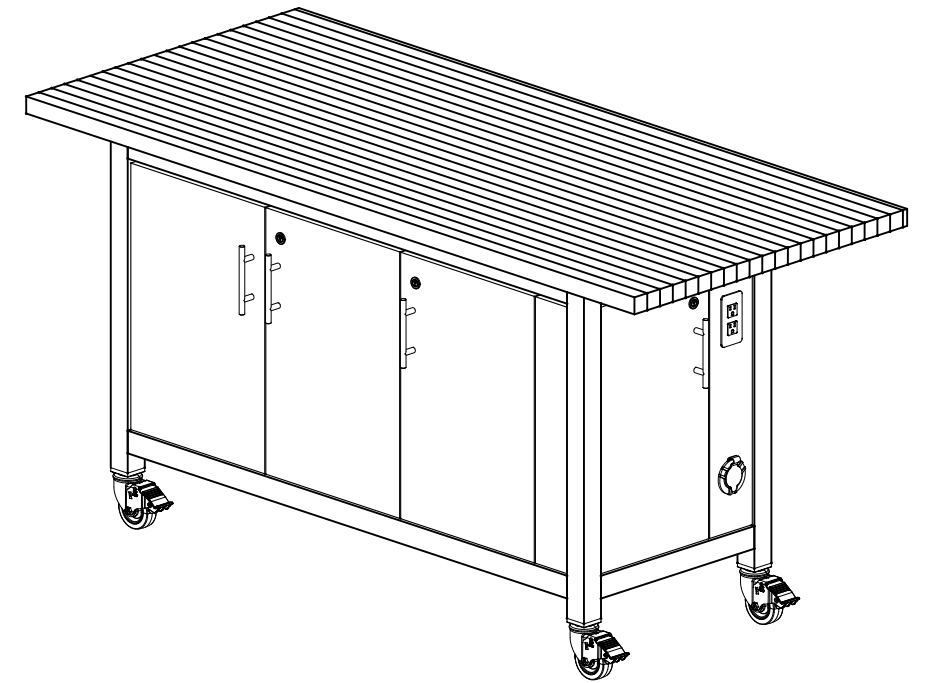
RIGHT END VIEW



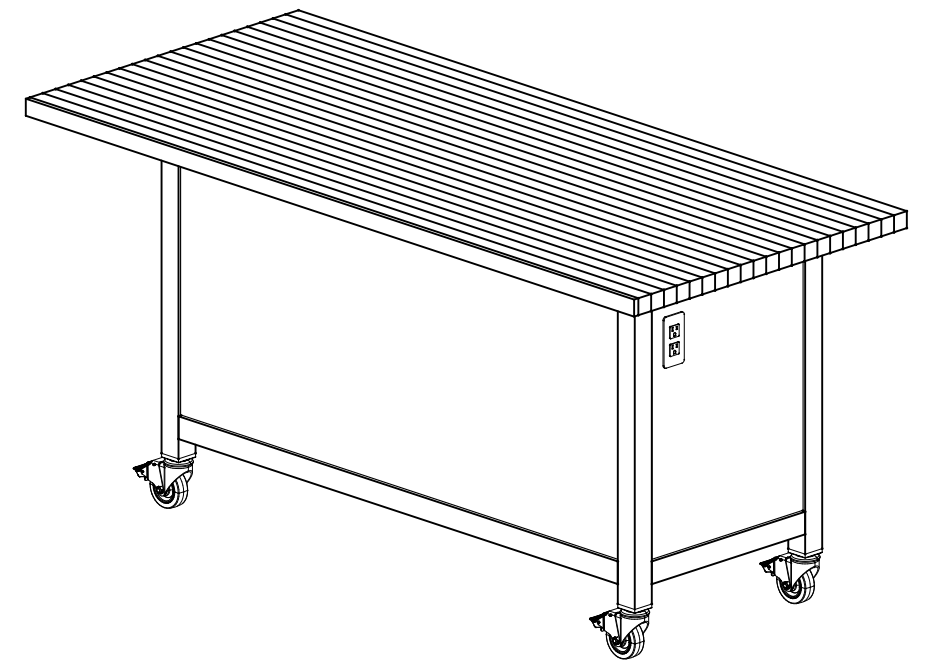
BACK VIEW



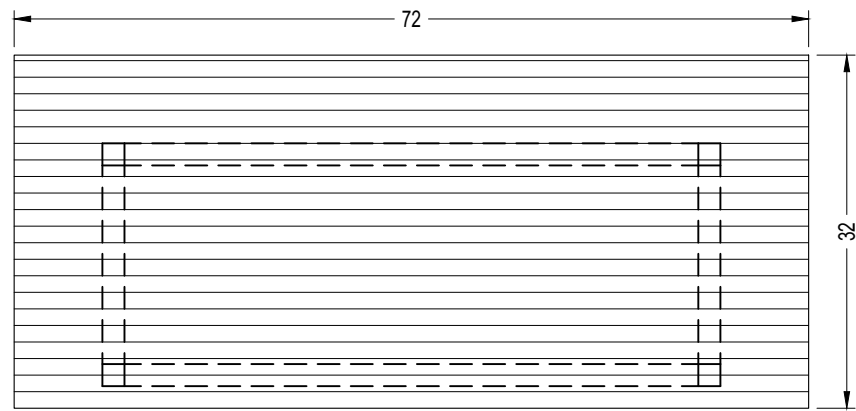
LEFT END VIEW



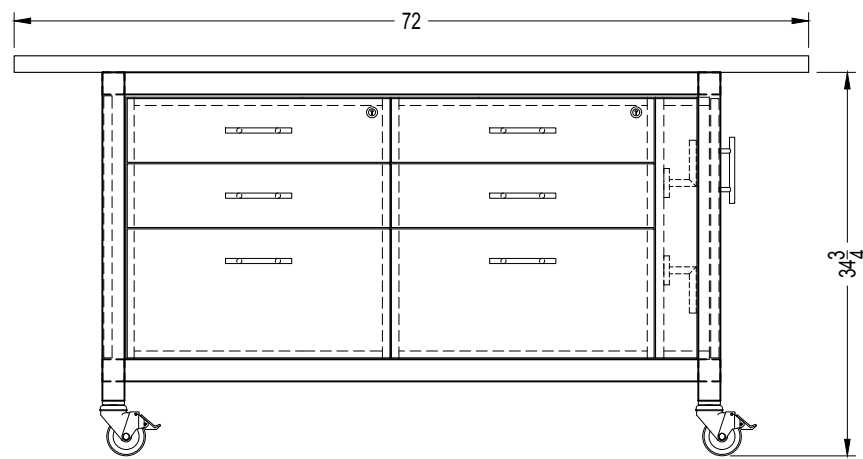
3D MODEL- FRONT VIEW



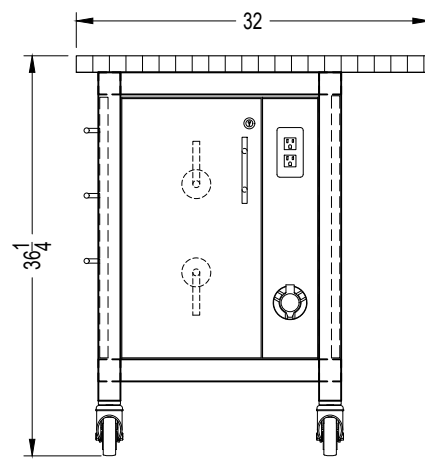
3D MODEL- BACK VIEW



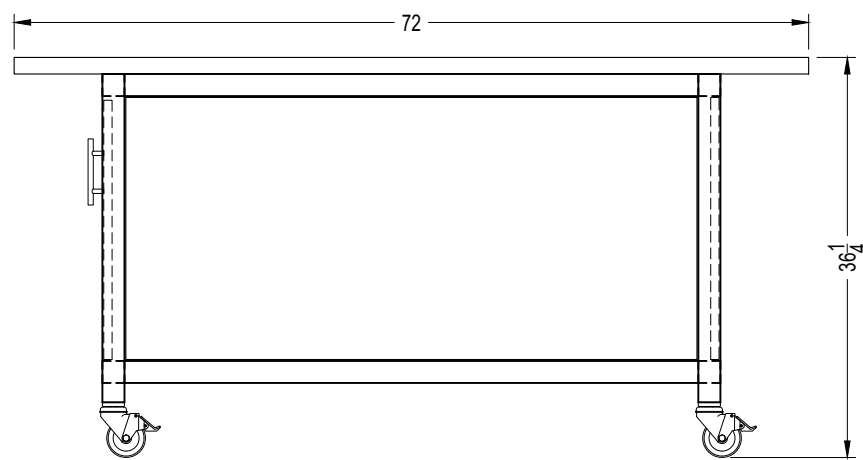
PLAN VIEW



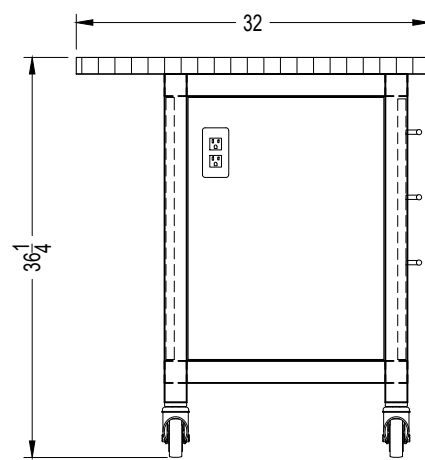
FRONT VIEW



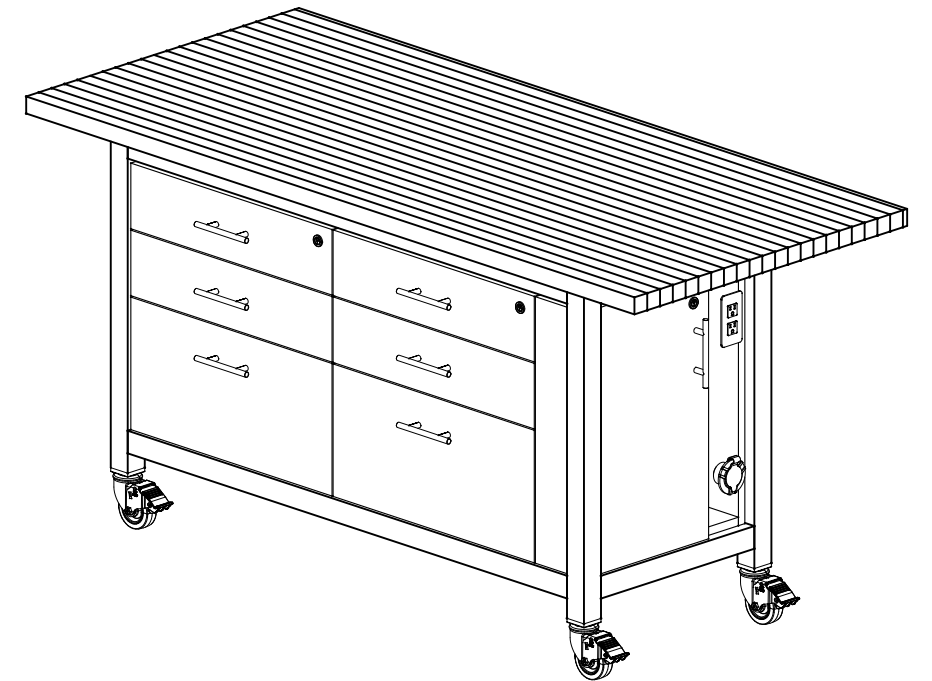
RIGHT END VIEW



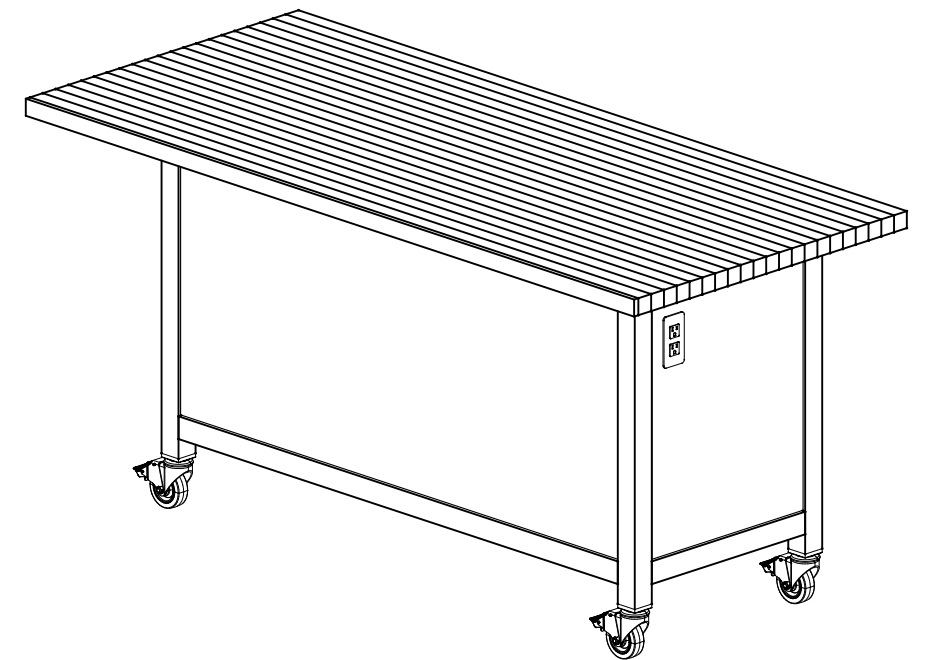
BACK VIEW



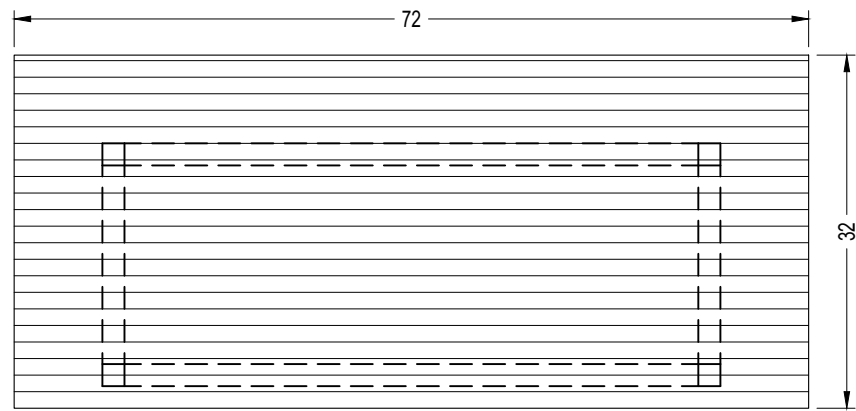
LEFT END VIEW



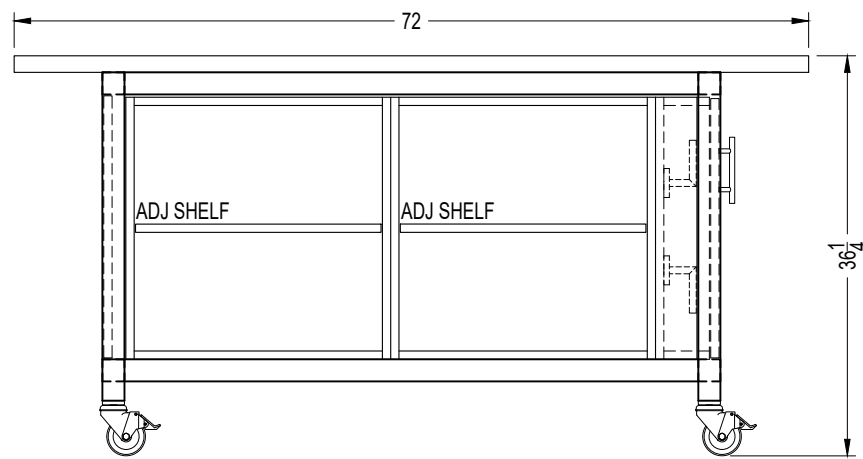
3D MODEL- FRONT VIEW



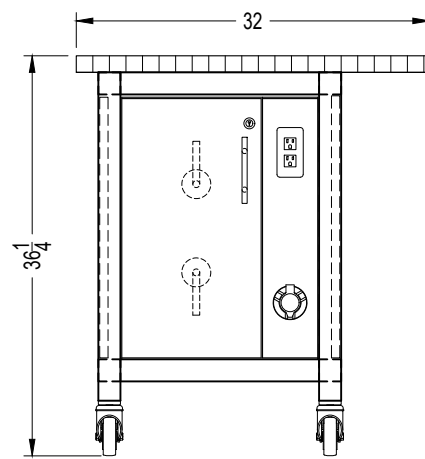
3D MODEL- BACK VIEW



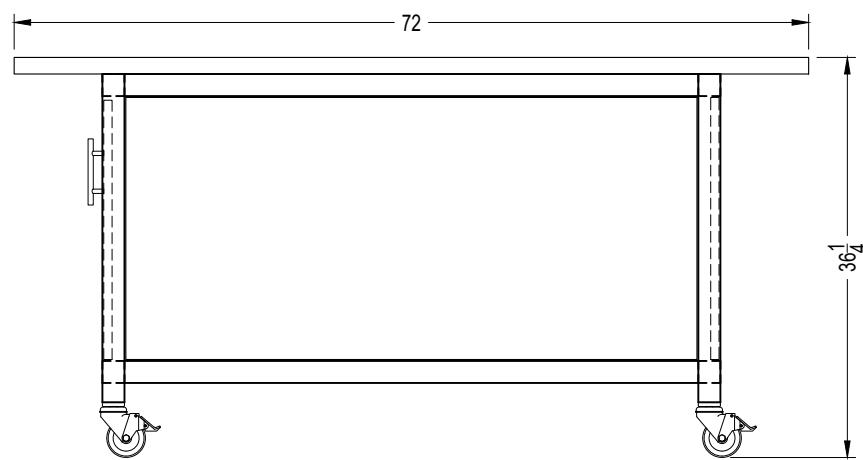
PLAN VIEW



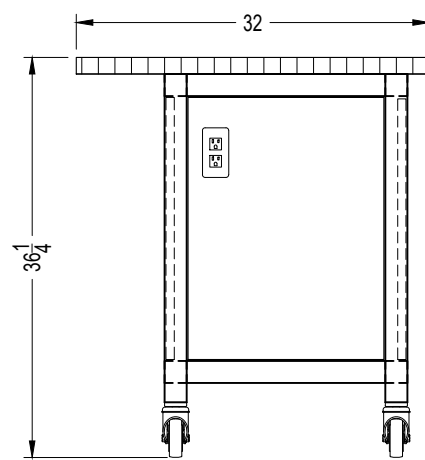
FRONT VIEW



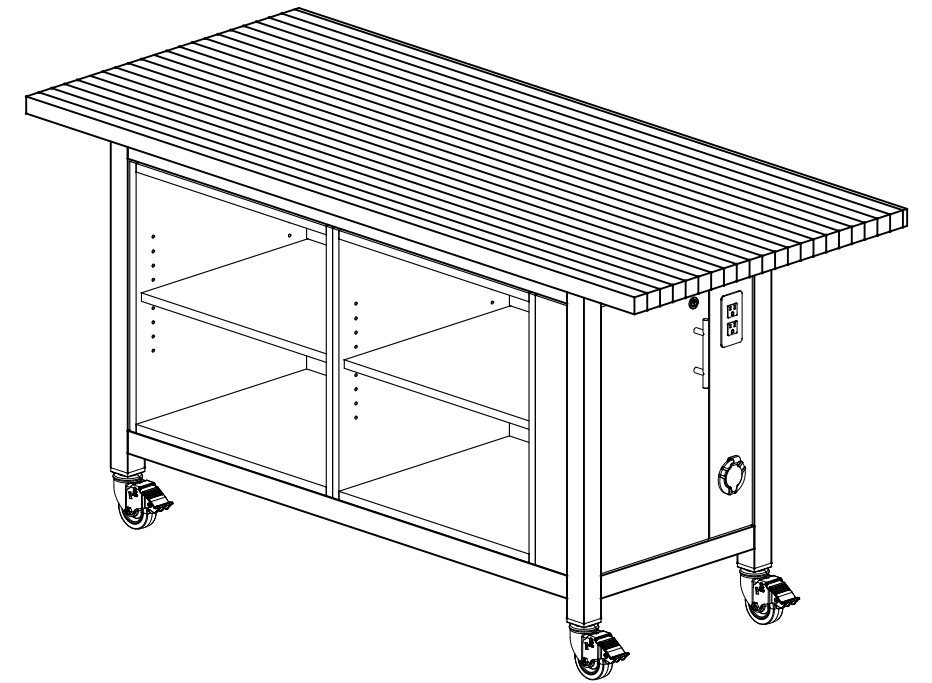
RIGHT END VIEW



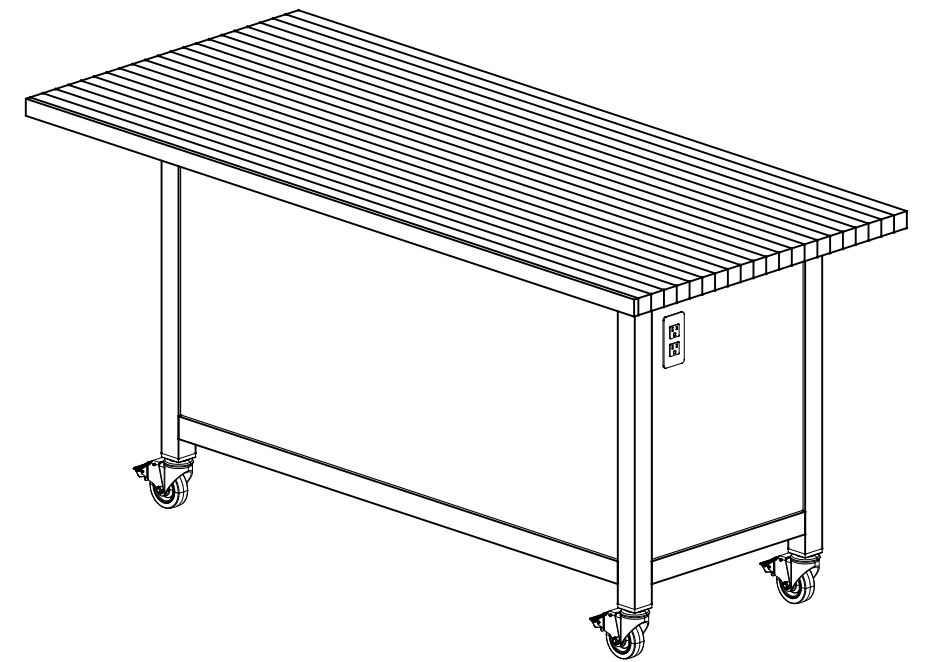
BACK VIEW



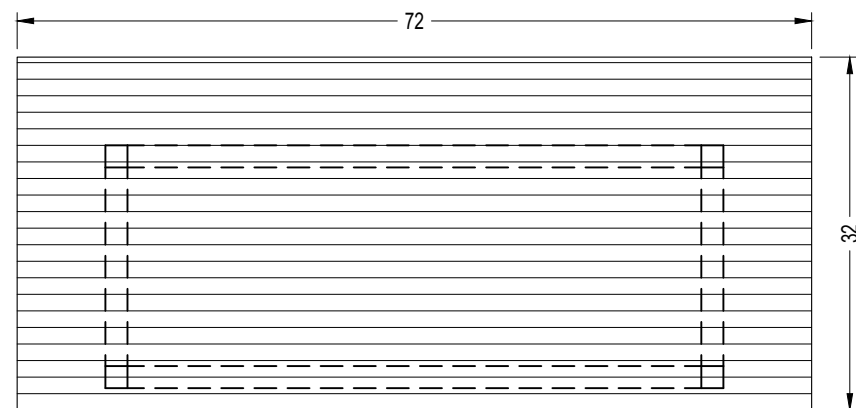
LEFT END VIEW



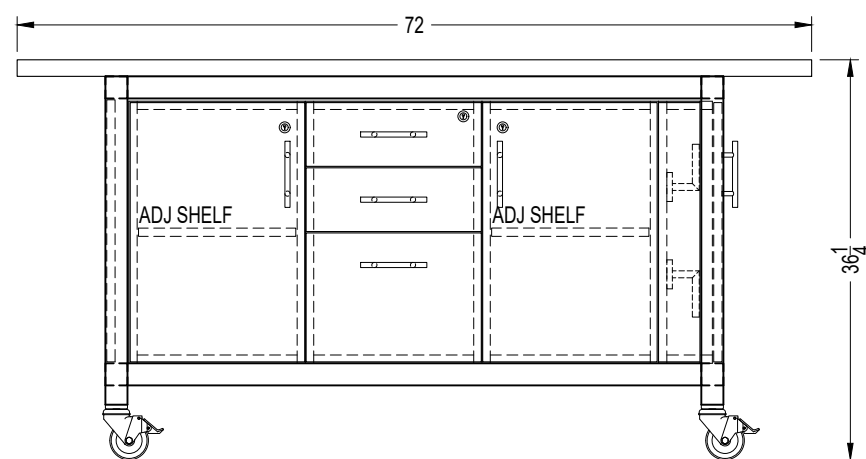
3D MODEL- FRONT VIEW



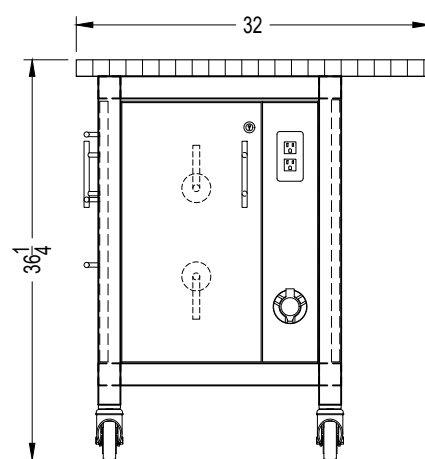
3D MODEL- BACK VIEW



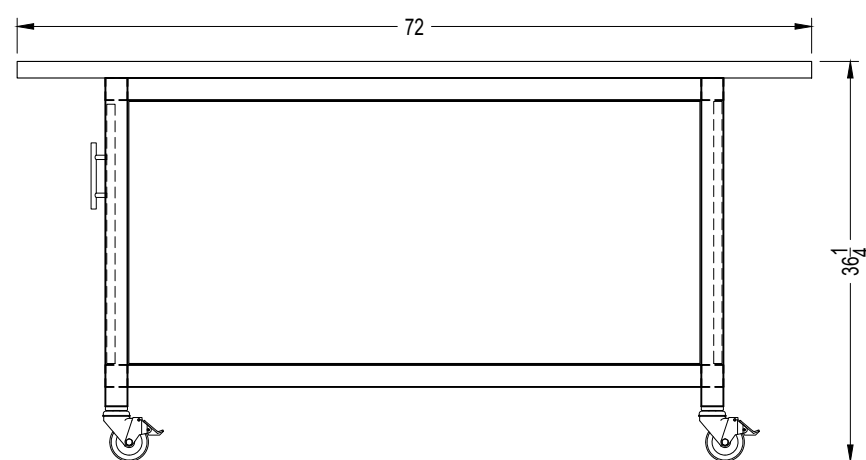
PLAN VIEW



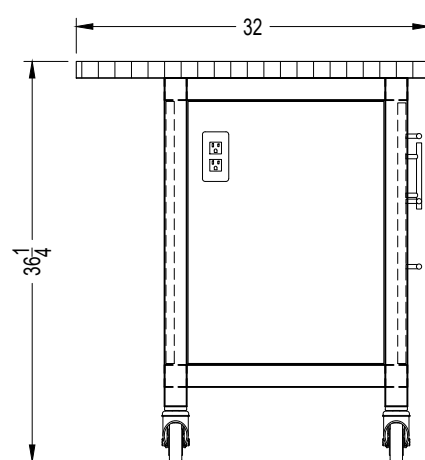
FRONT VIEW



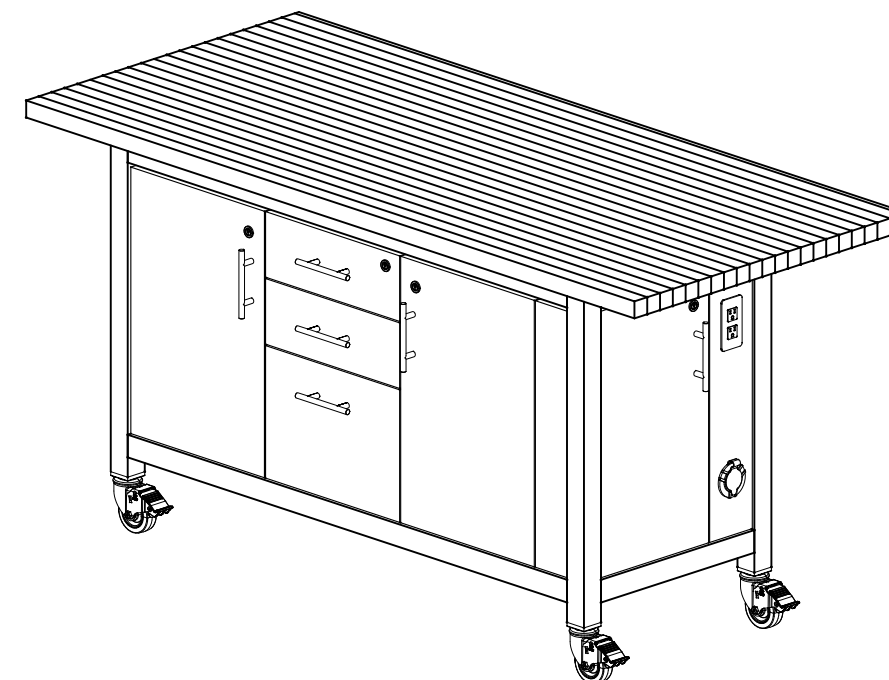
RIGHT END VIEW



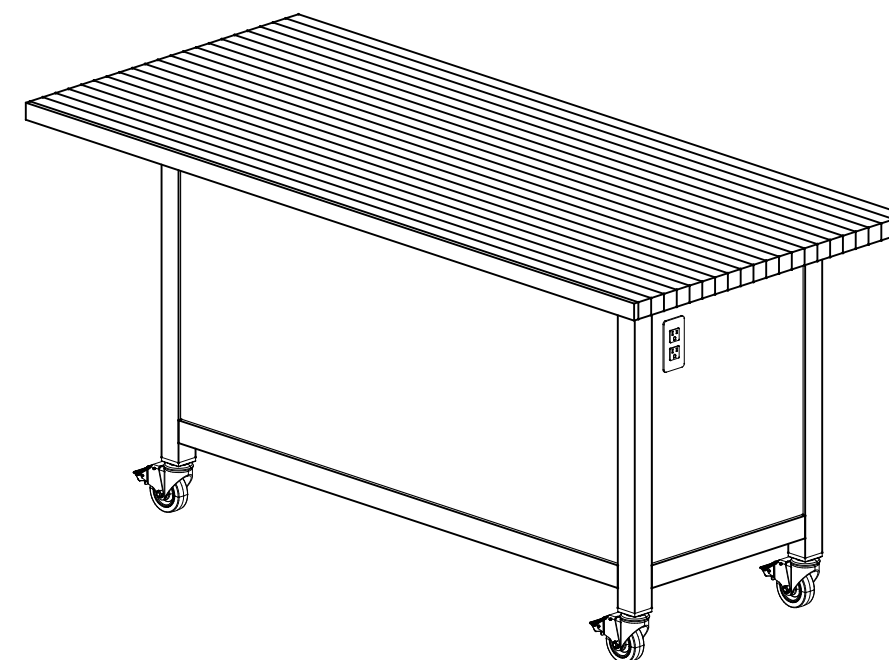
BACK VIEW



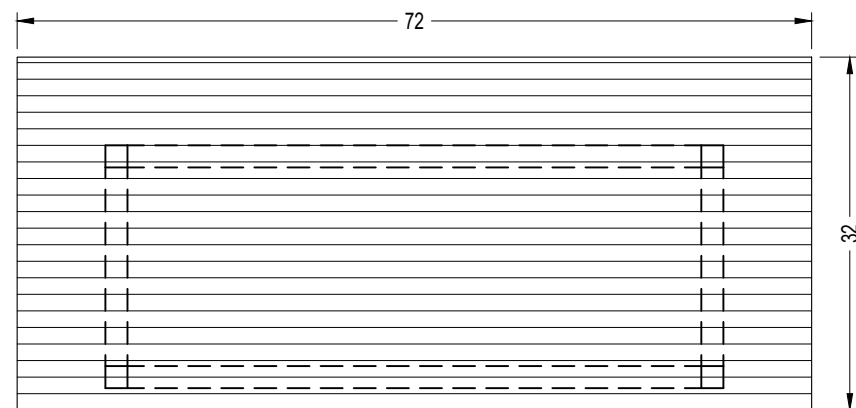
LEFT END VIEW



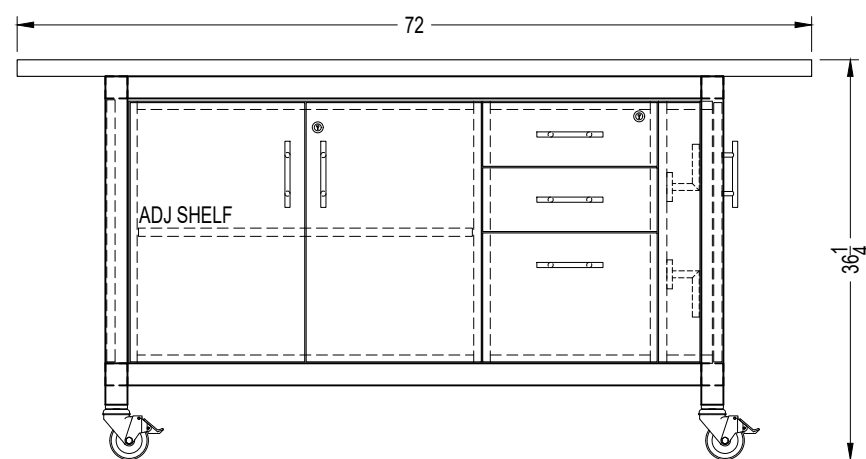
3D MODEL- FRONT VIEW



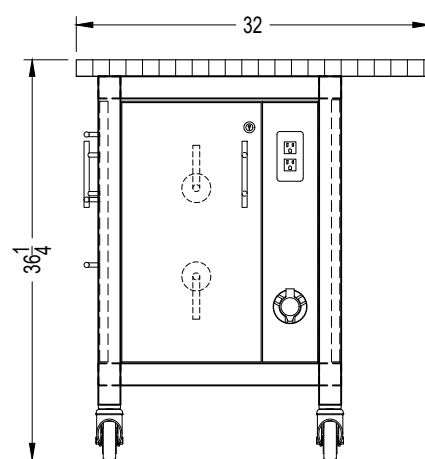
3D MODEL- BACK VIEW



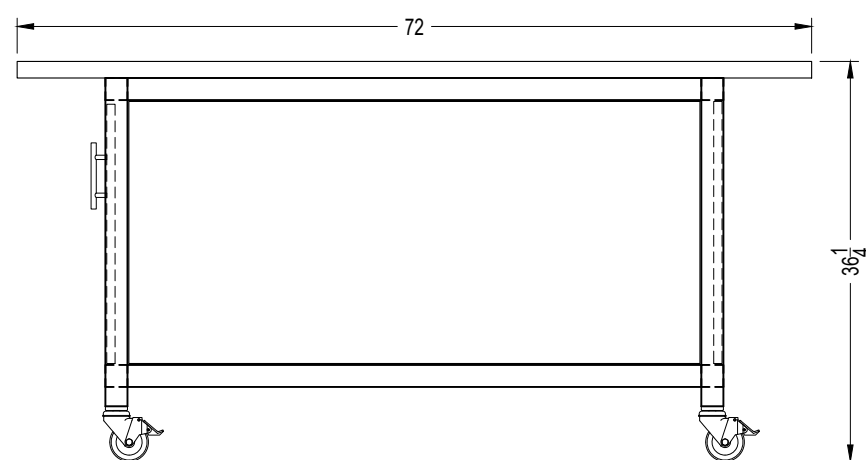
PLAN VIEW



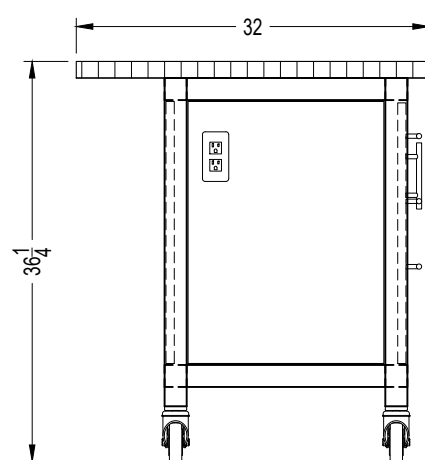
FRONT VIEW



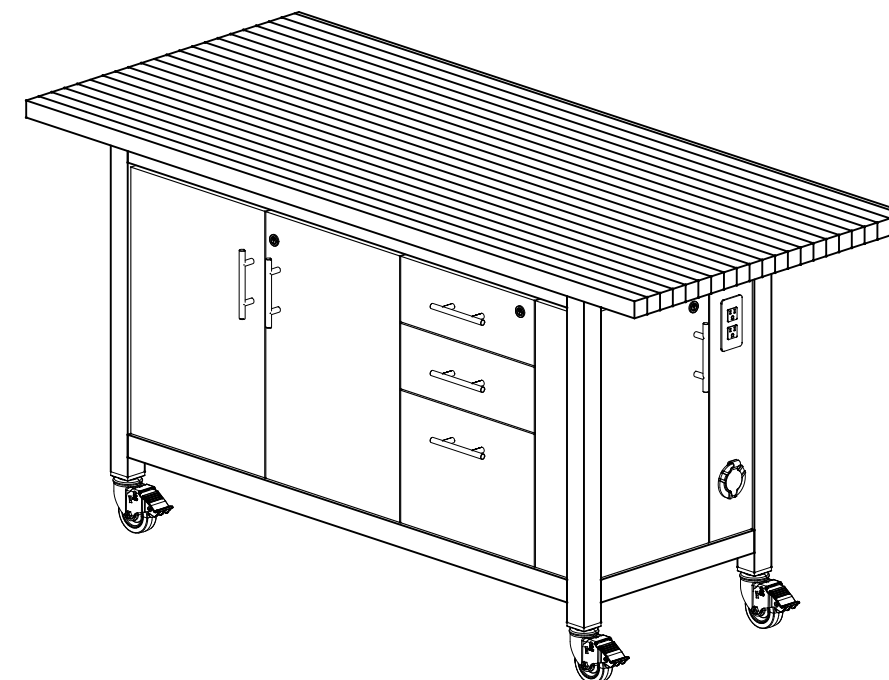
RIGHT END VIEW



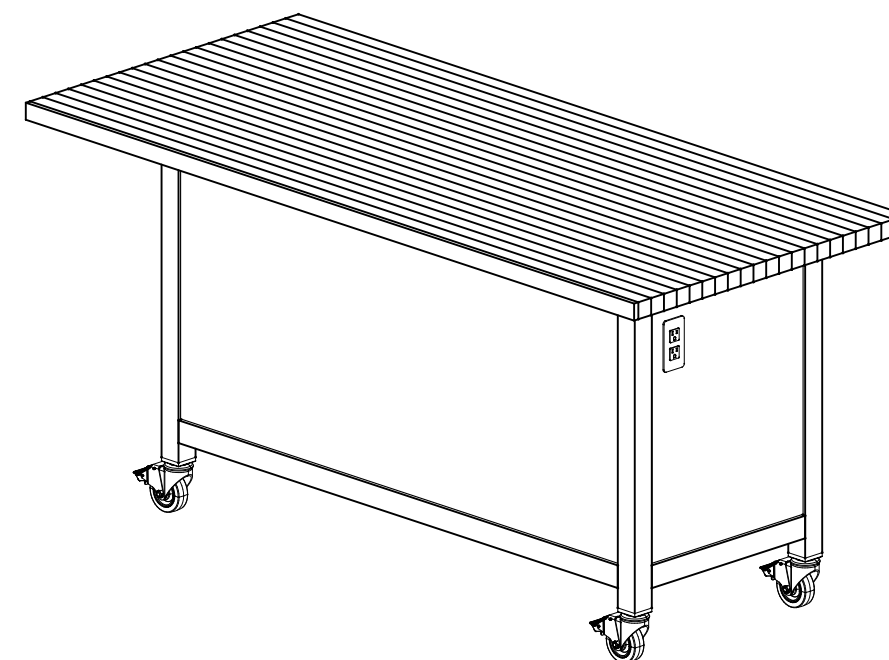
BACK VIEW



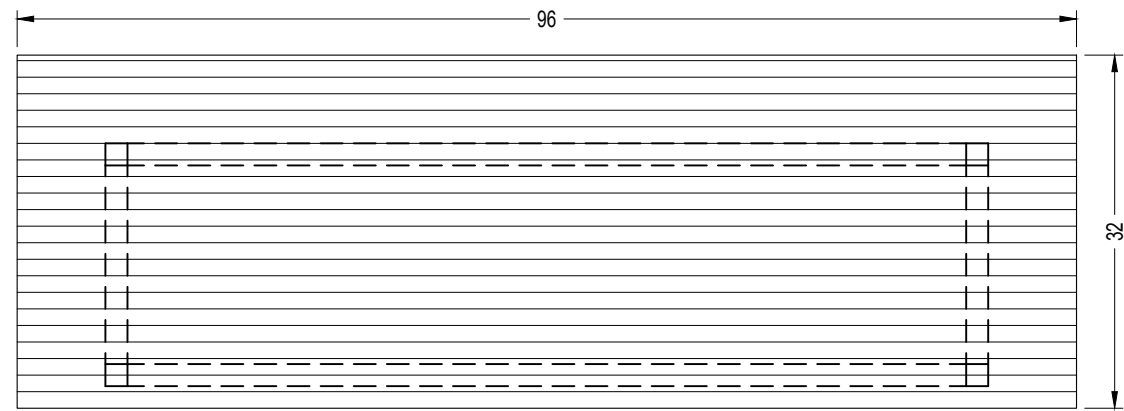
LEFT END VIEW



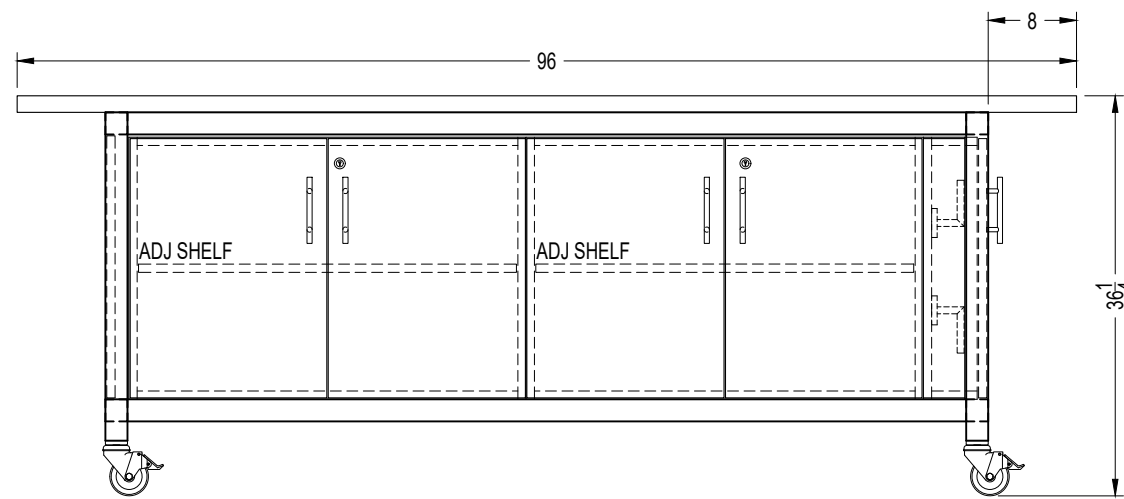
3D MODEL- FRONT VIEW



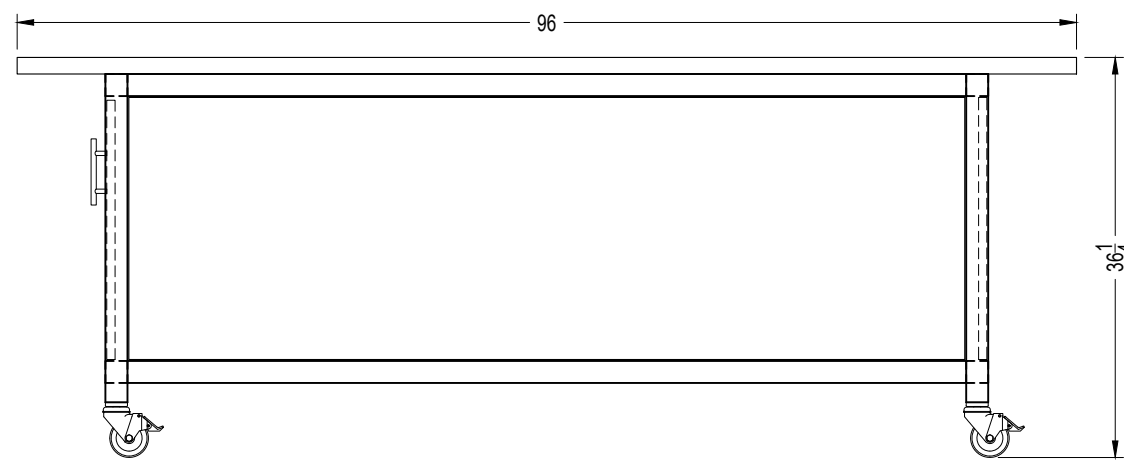
3D MODEL- BACK VIEW



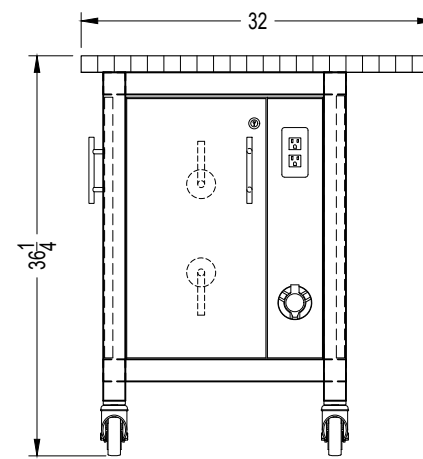
PLAN VIEW



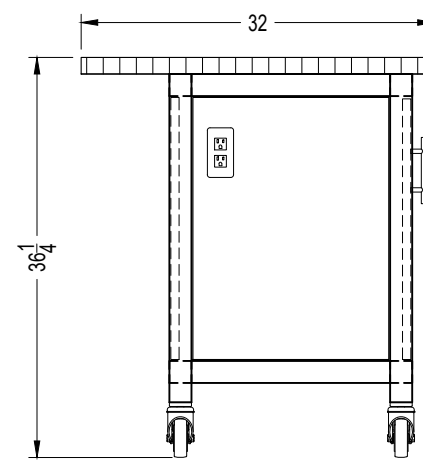
FRONT VIEW



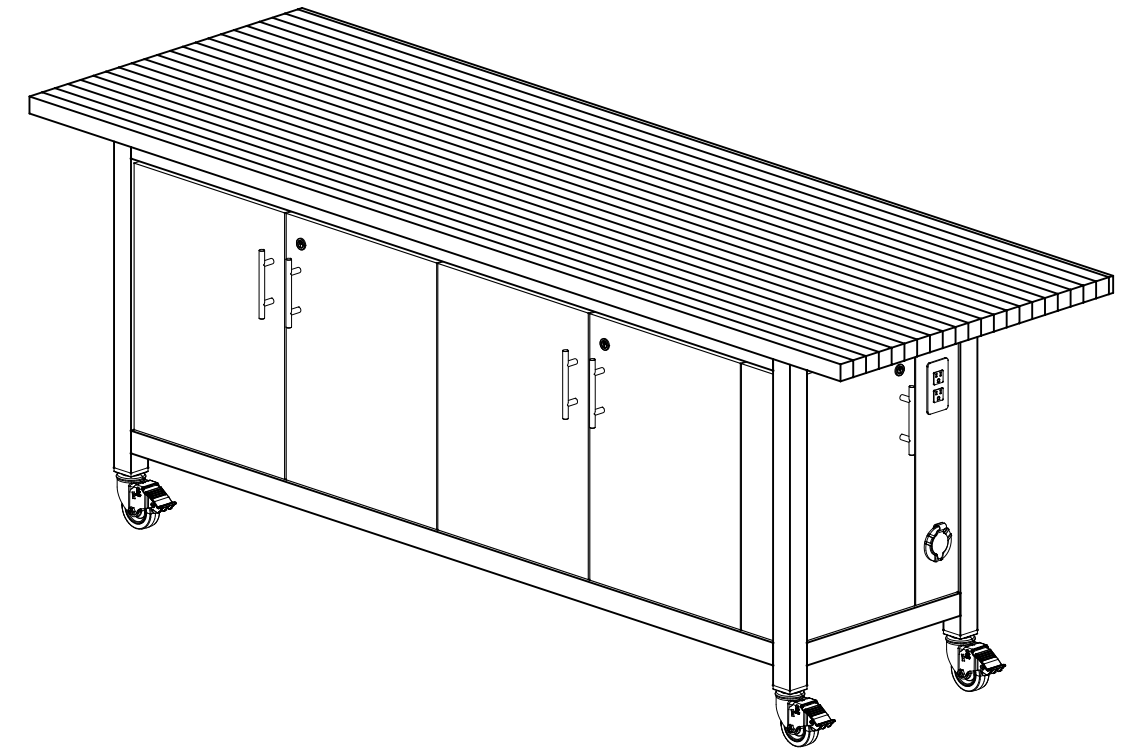
BACK VIEW



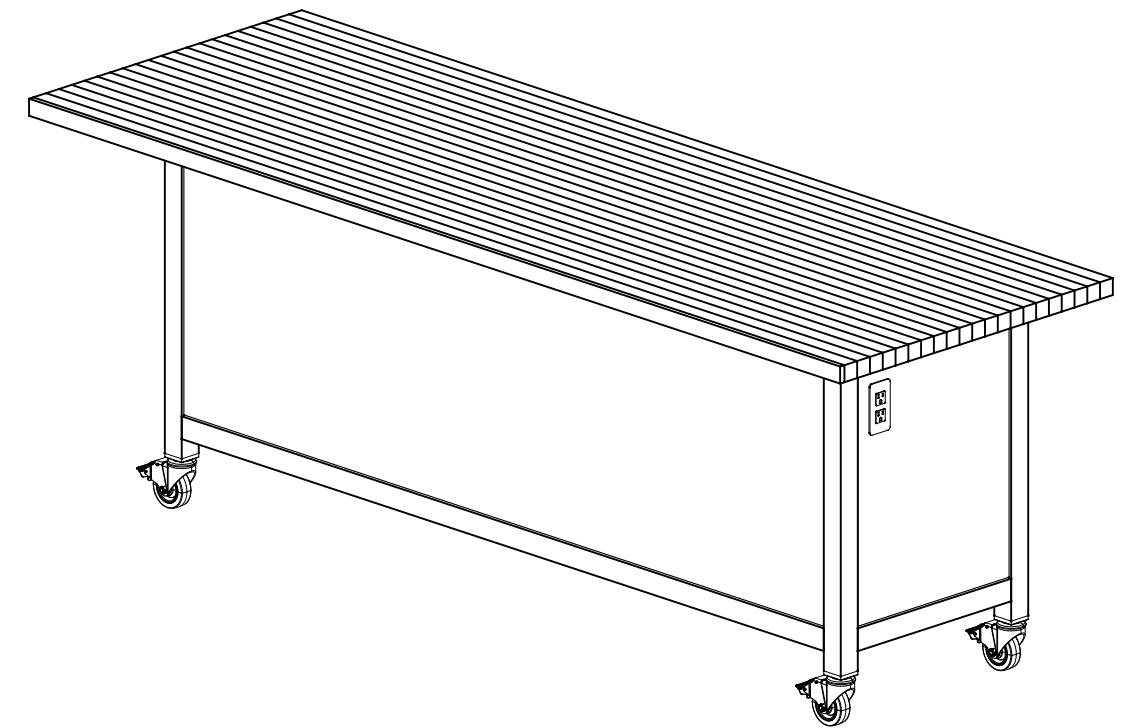
RIGHT END VIEW



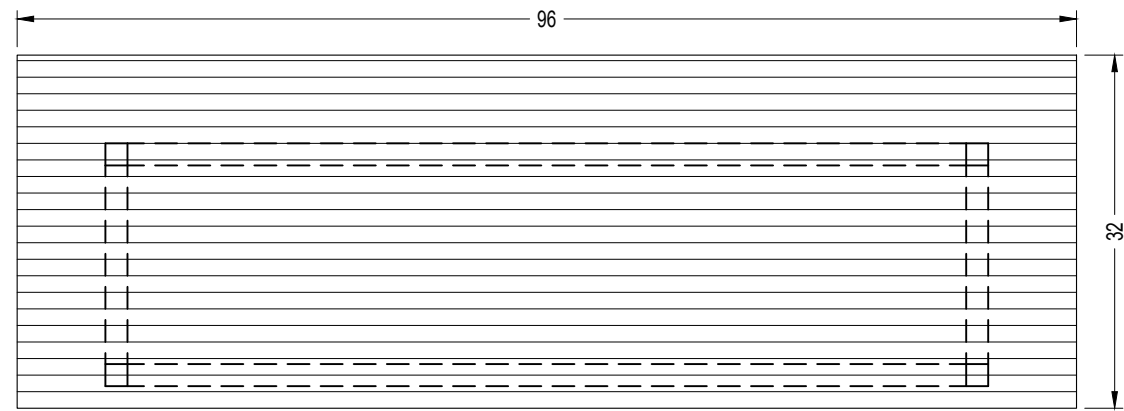
LEFT END VIEW



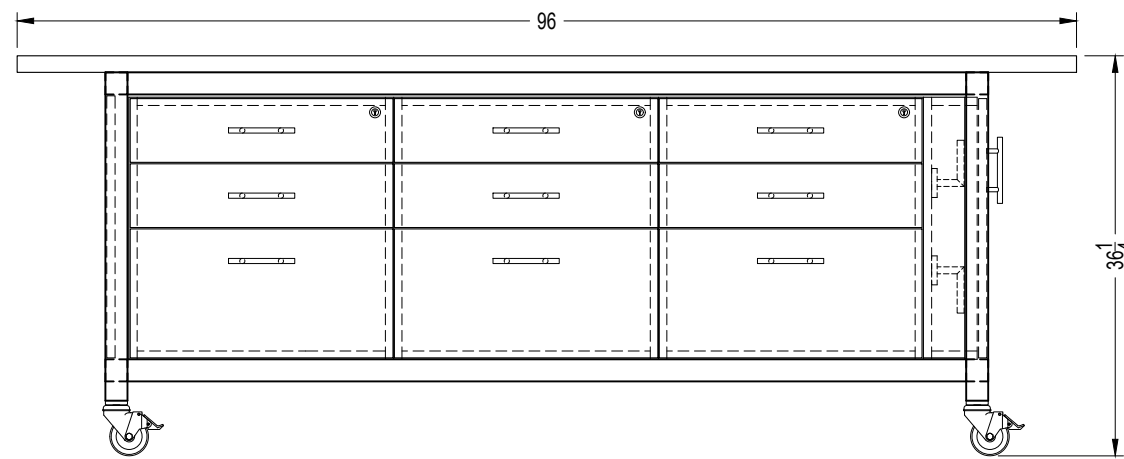
3D MODEL- FRONT VIEW



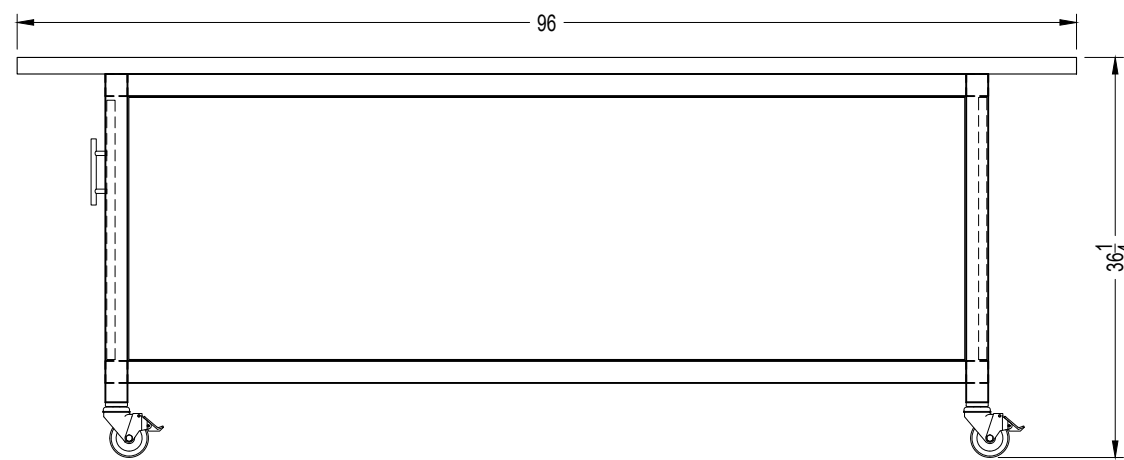
3D MODEL- BACK VIEW



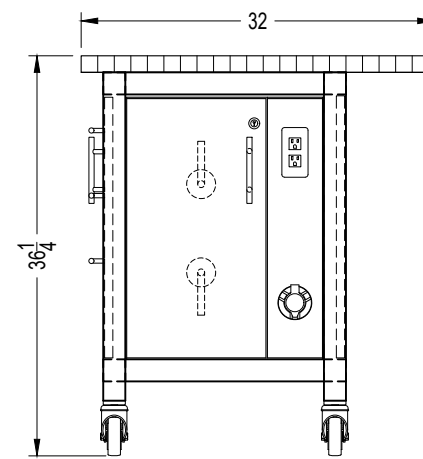
PLAN VIEW



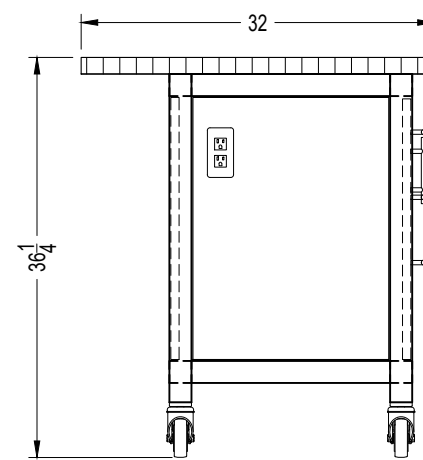
FRONT VIEW



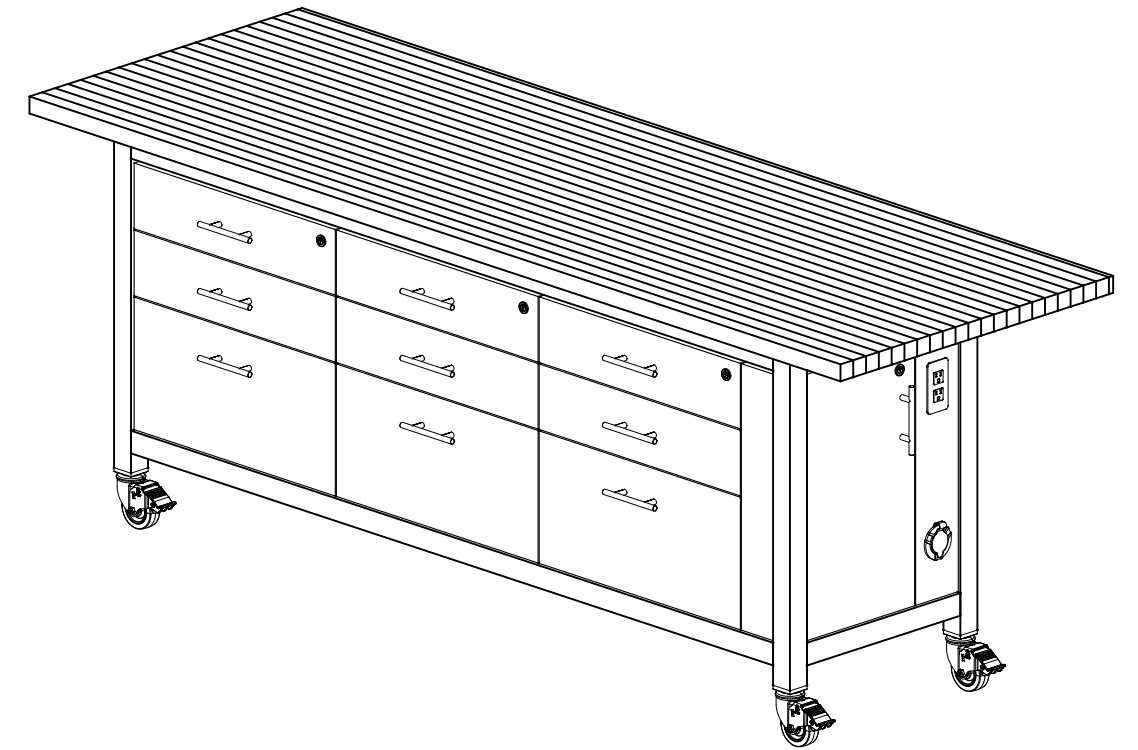
BACK VIEW



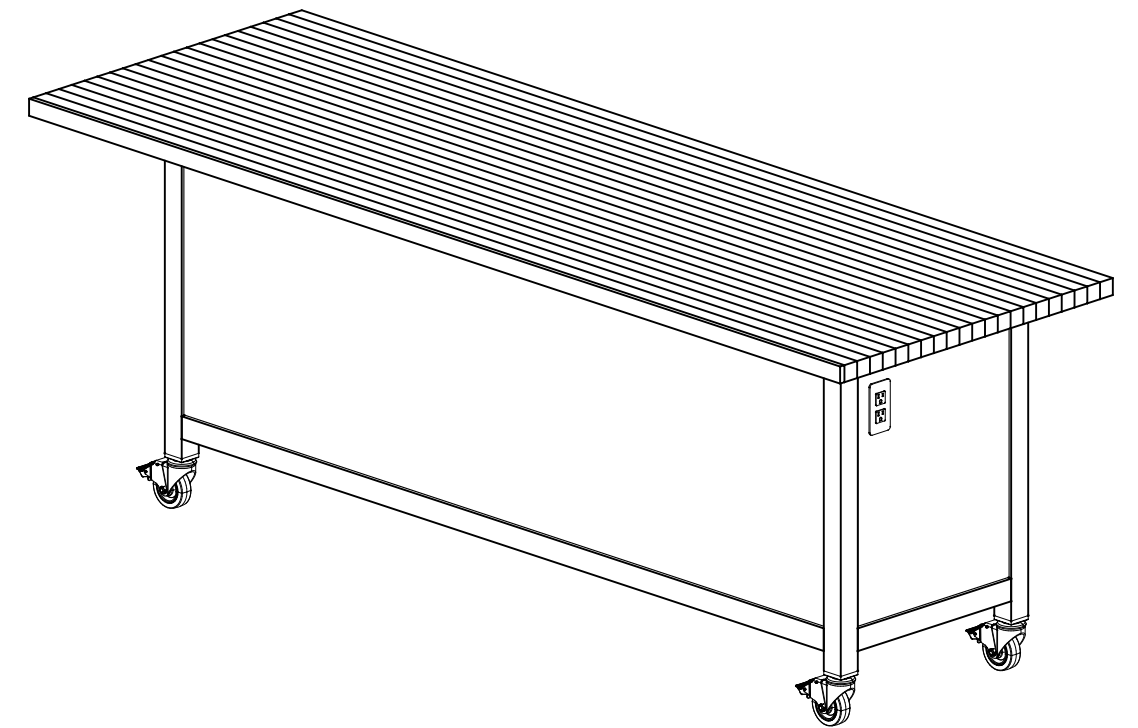
RIGHT END VIEW



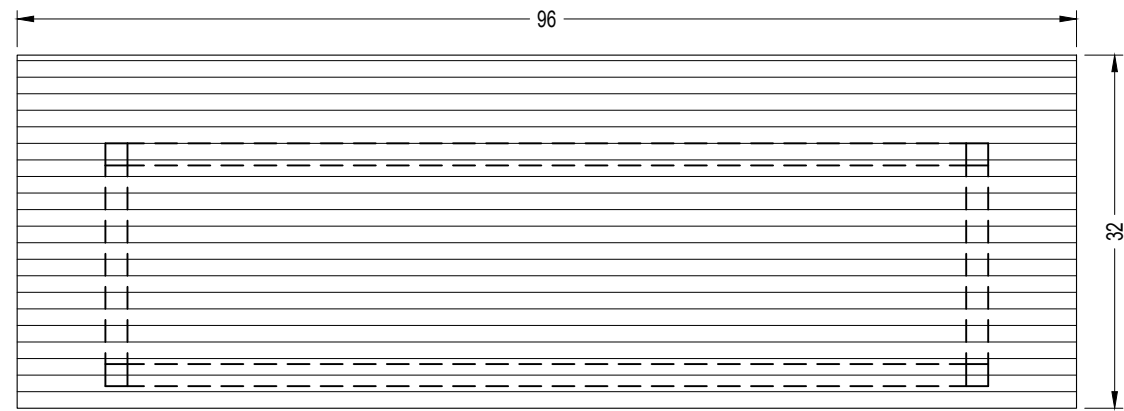
LEFT END VIEW



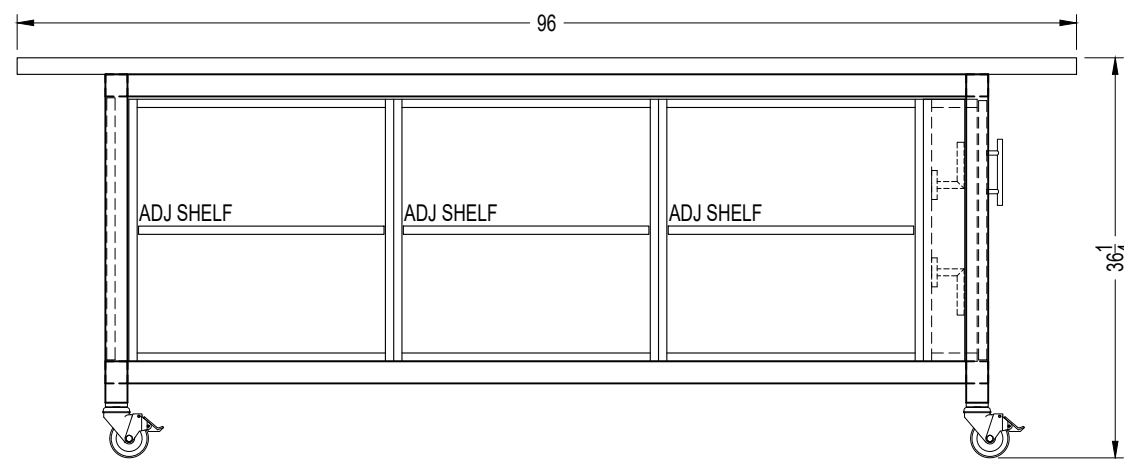
3D MODEL- FRONT VIEW



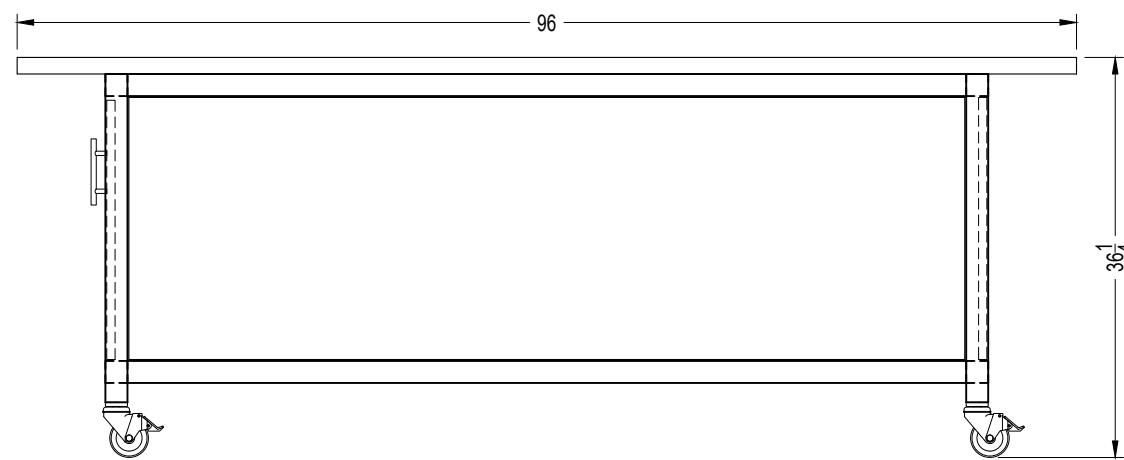
3D MODEL- BACK VIEW



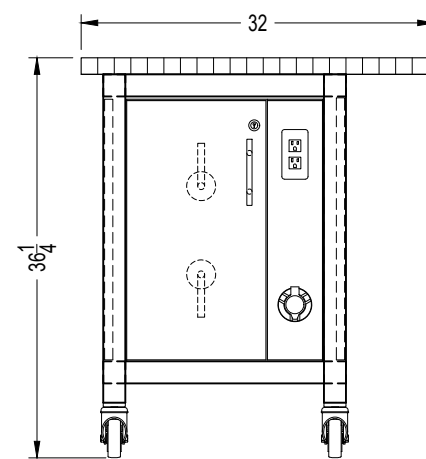
PLAN VIEW



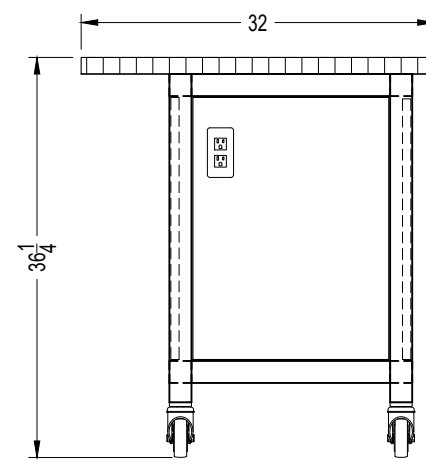
FRONT VIEW



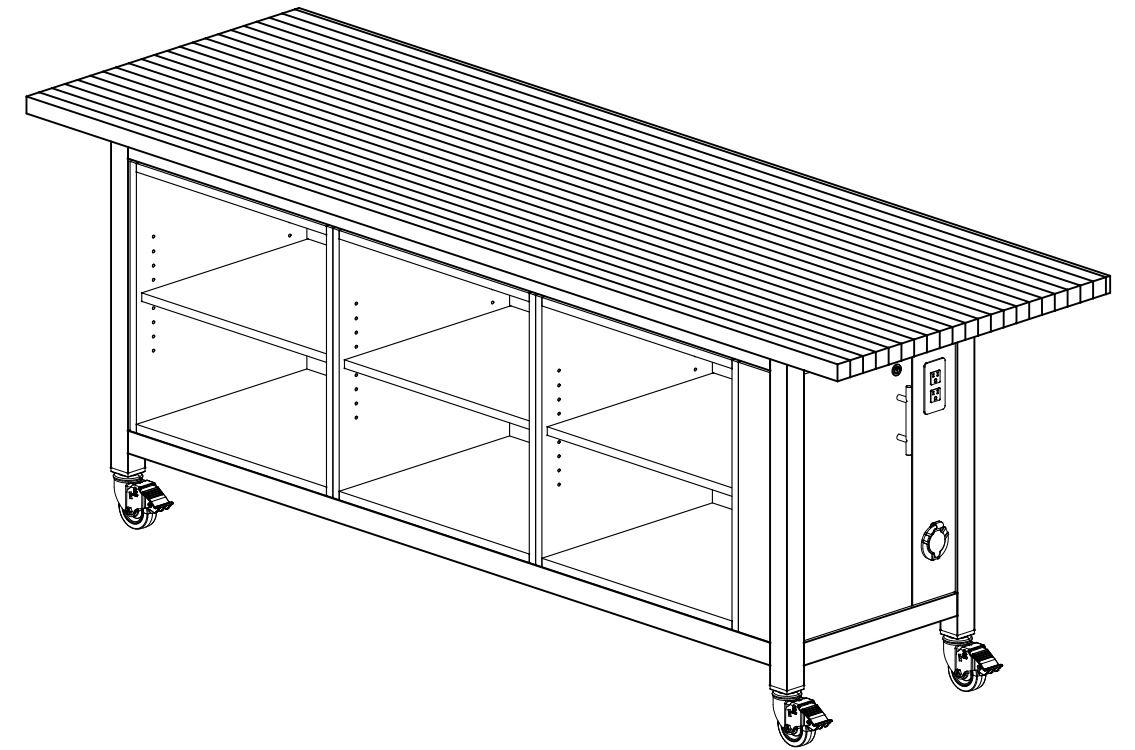
BACK VIEW



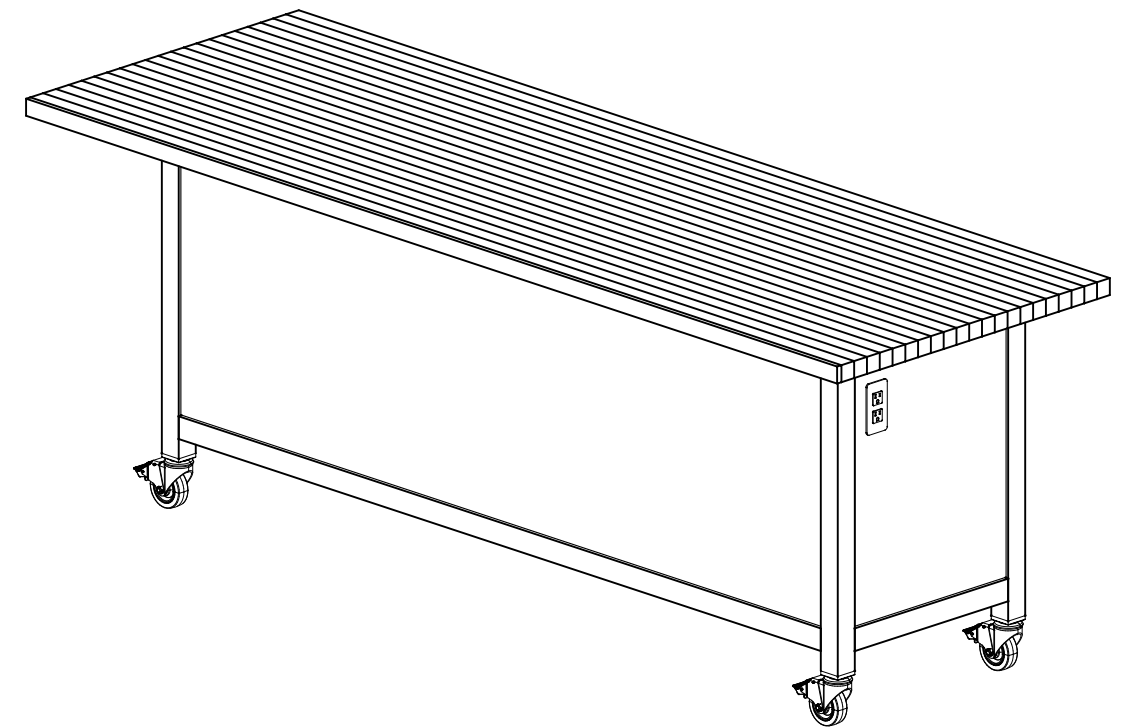
RIGHT END VIEW



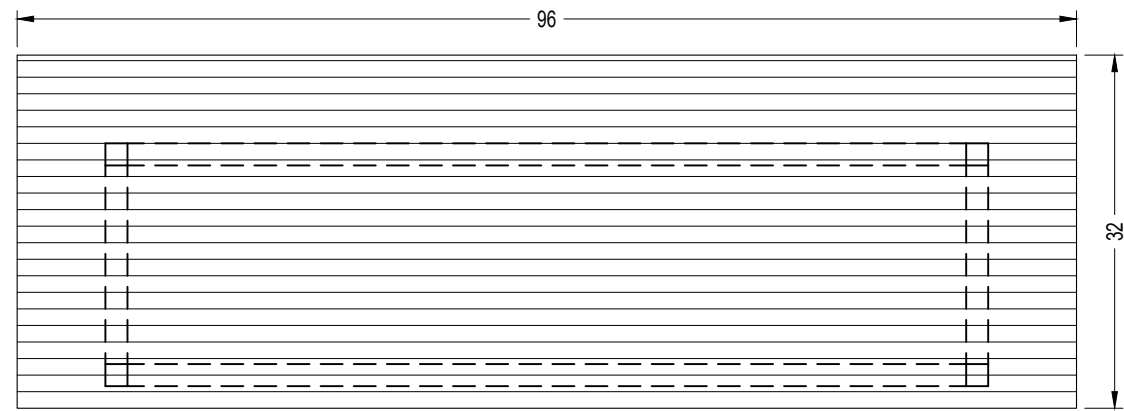
LEFT END VIEW



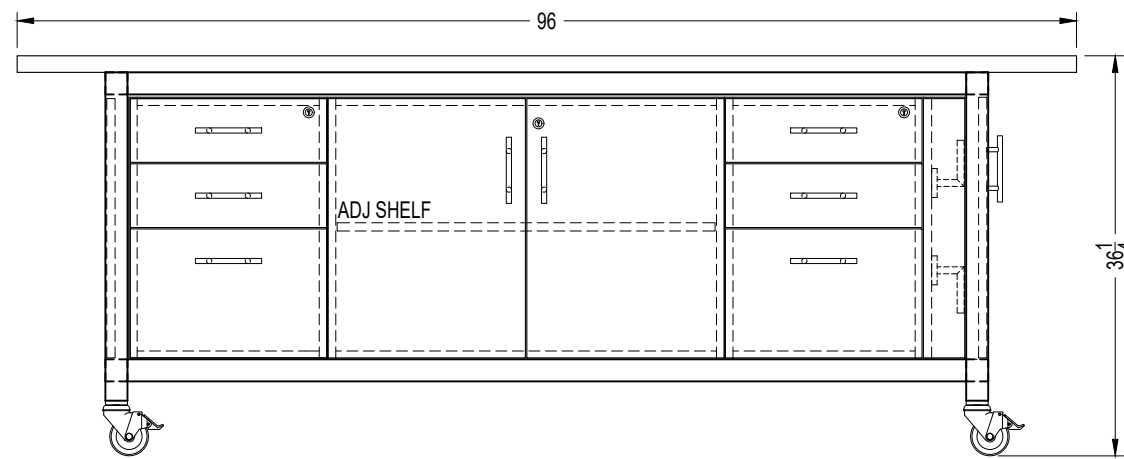
3D MODEL- FRONT VIEW



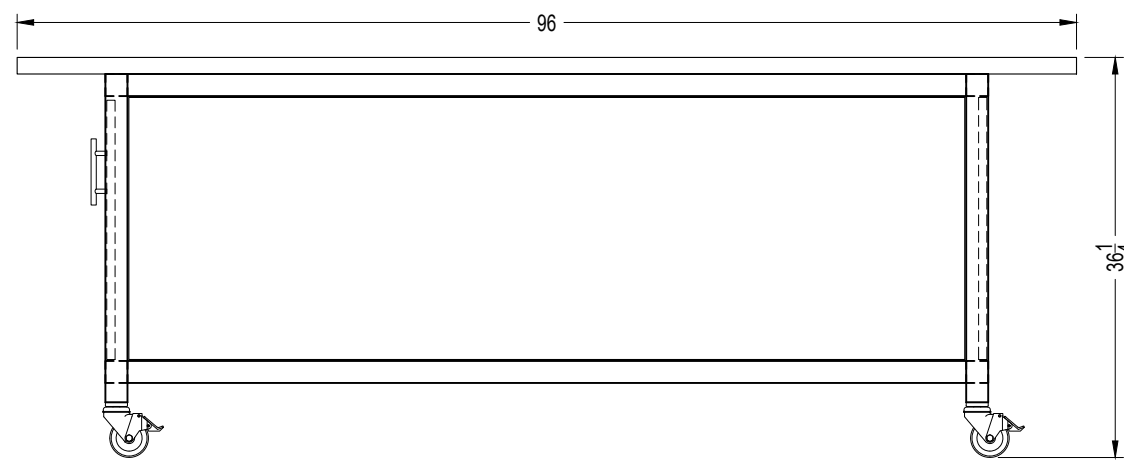
3D MODEL- BACK VIEW



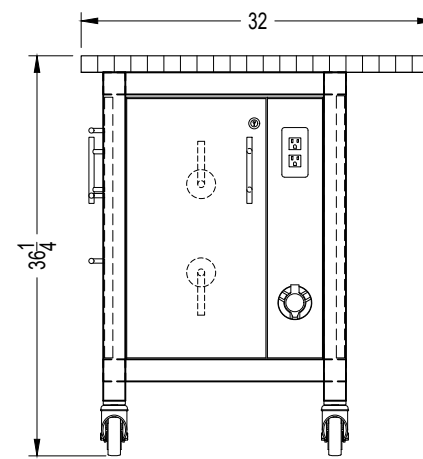
PLAN VIEW



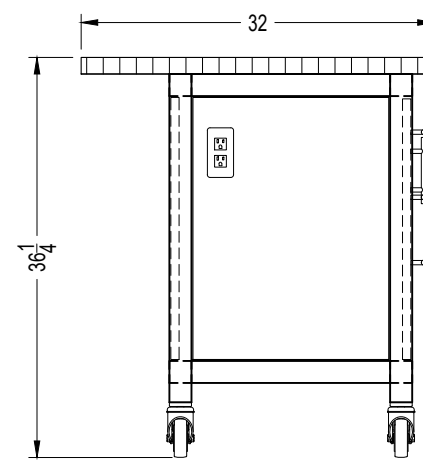
FRONT VIEW



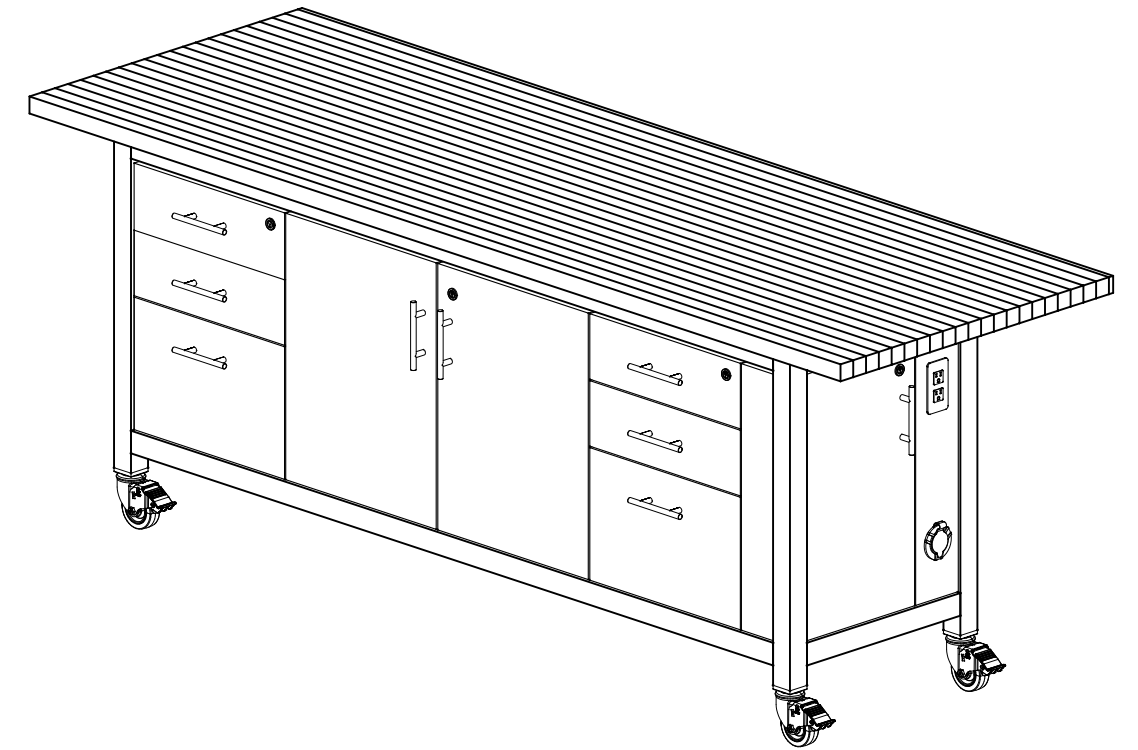
BACK VIEW



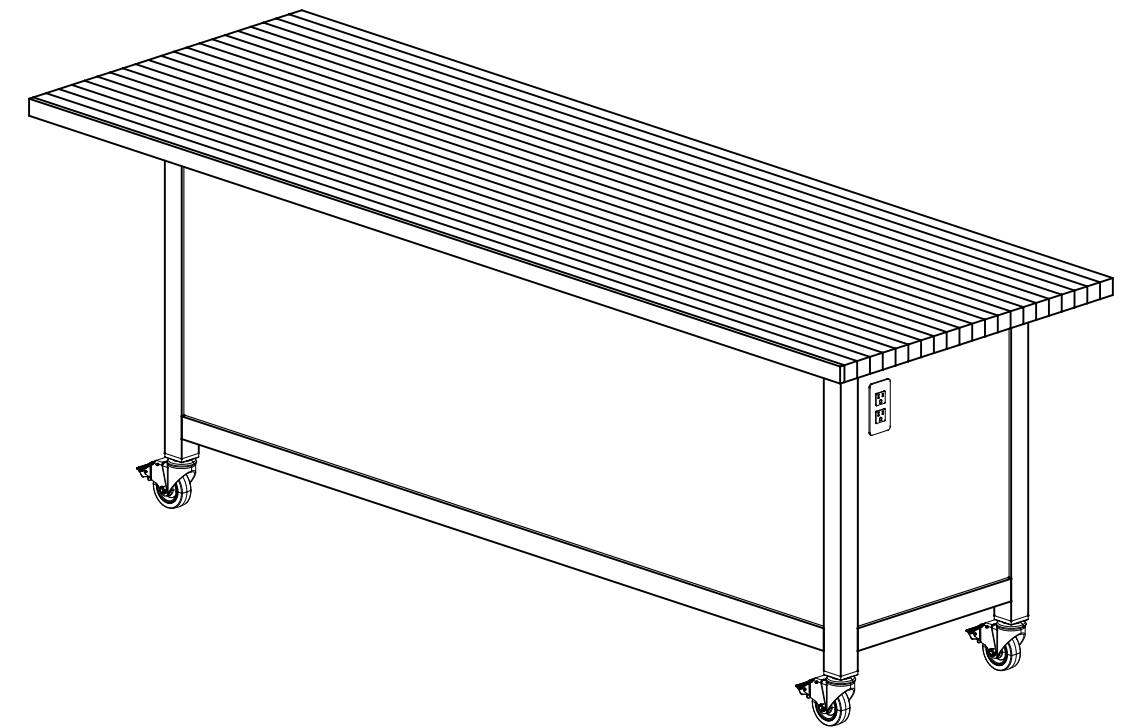
RIGHT END VIEW



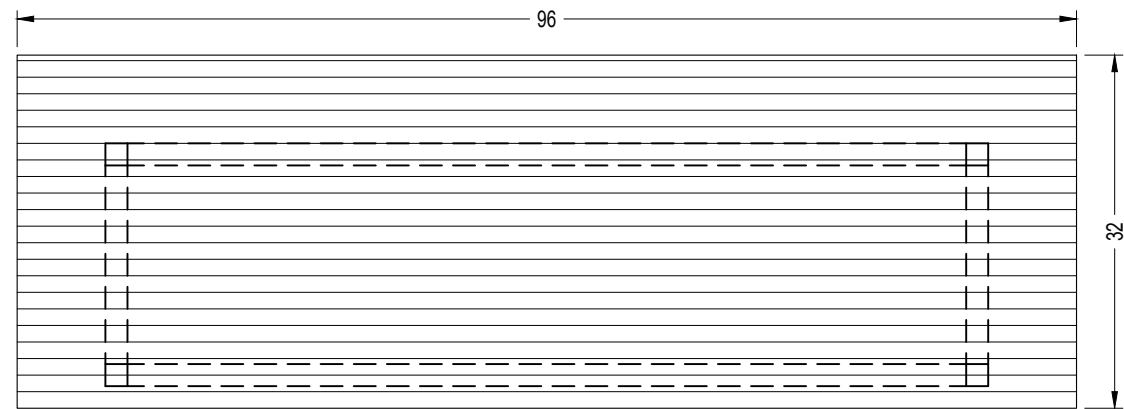
LEFT END VIEW



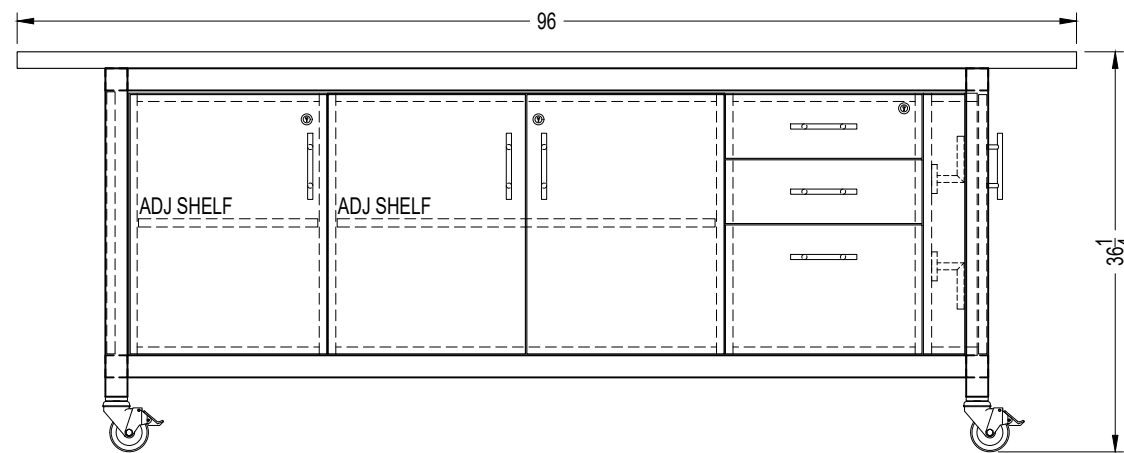
3D MODEL- FRONT VIEW



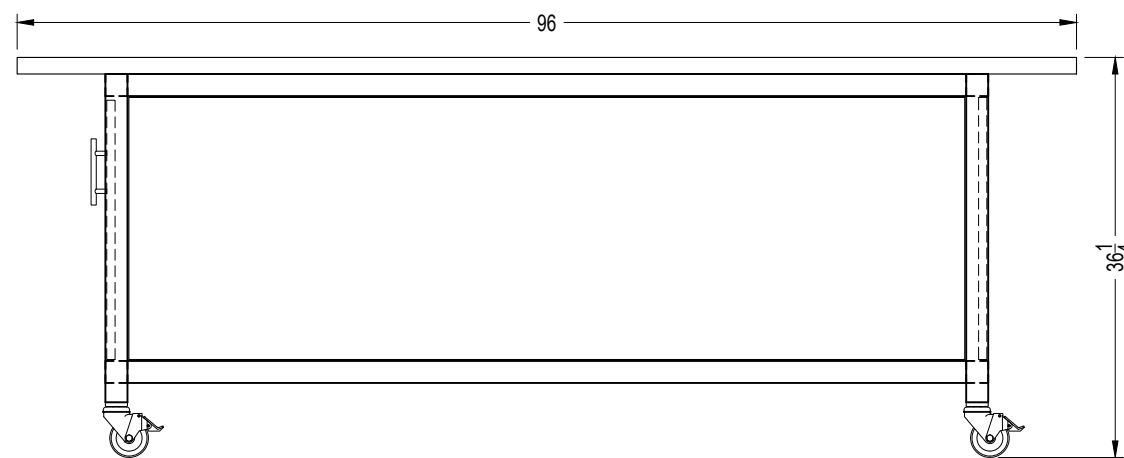
3D MODEL- BACK VIEW



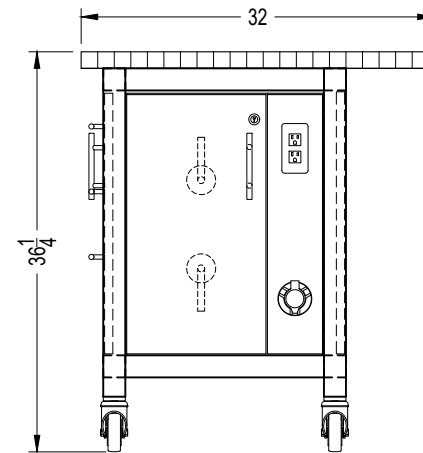
PLAN VIEW



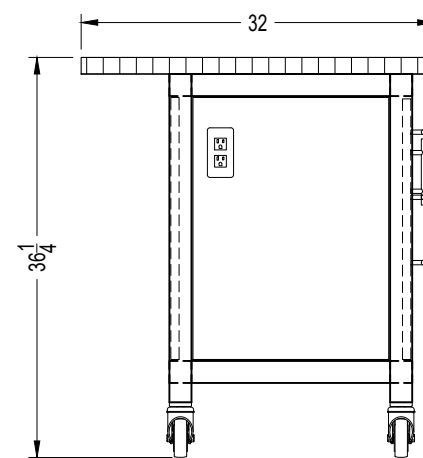
FRONT VIEW



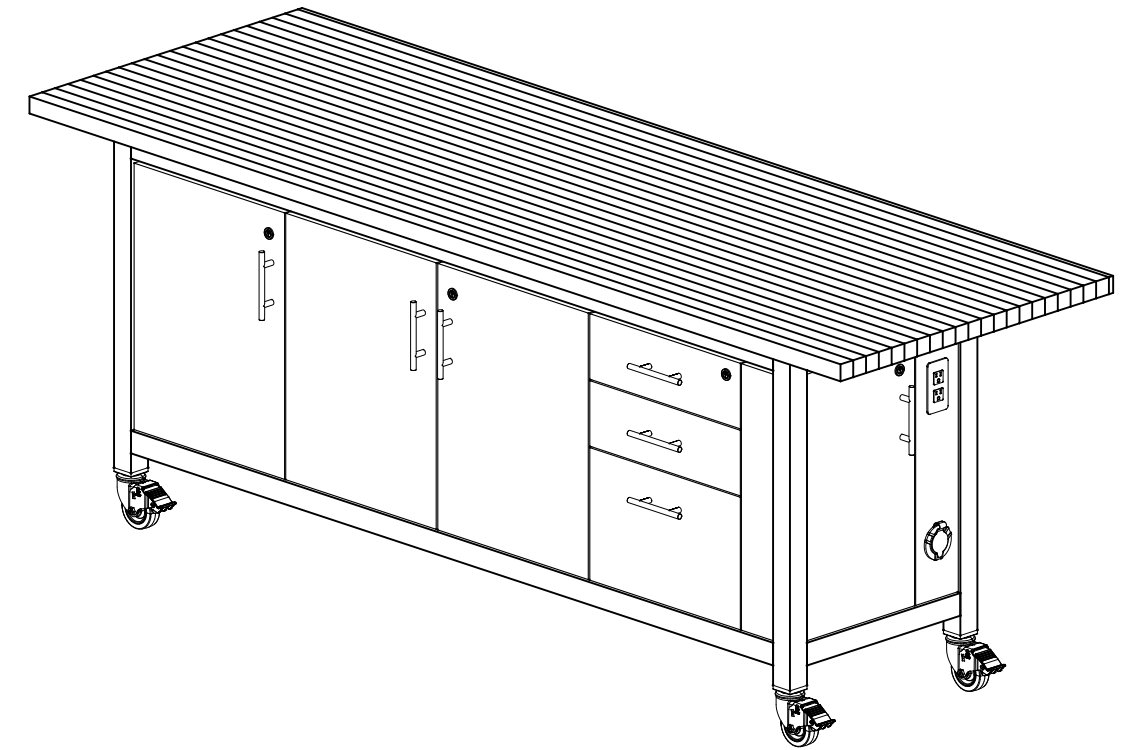
BACK VIEW



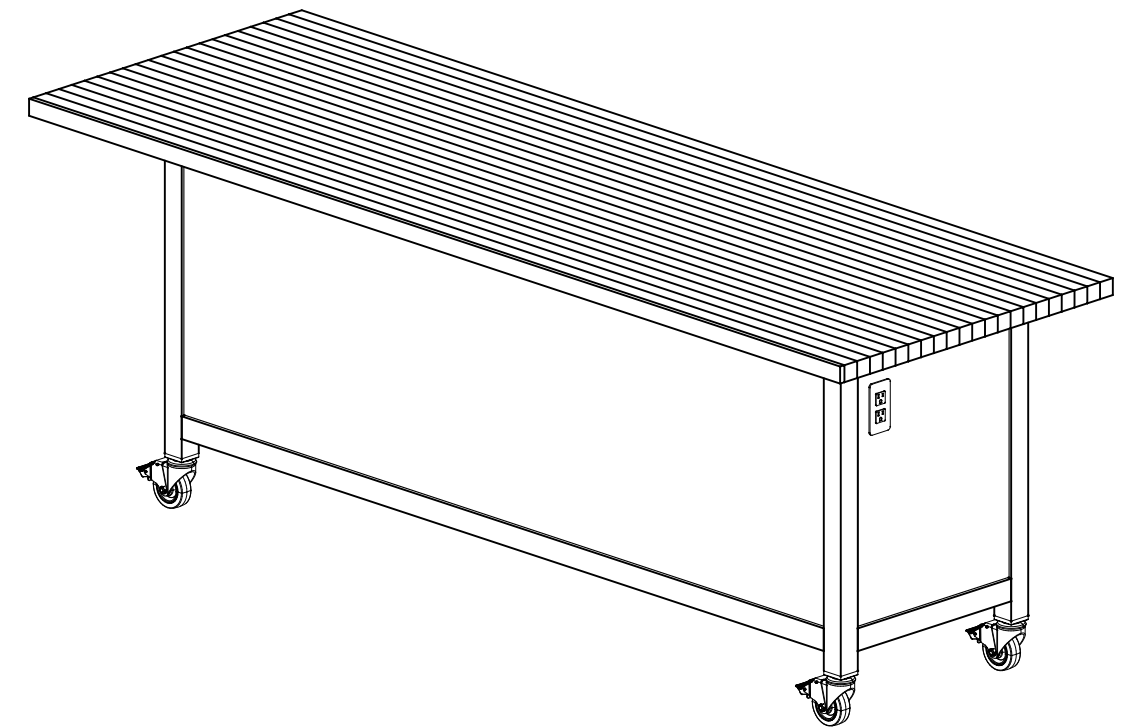
RIGHT END VIEW



LEFT END VIEW



3D MODEL- FRONT VIEW



3D MODEL- BACK VIEW

maker demonstration table finishes

top / surface finishes



high pressure laminate with PVC edge



solid maple butcher block

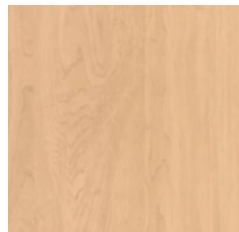


phenolic resin



solid surface and quartz

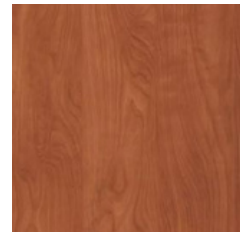
Laminates are an option for surface finish and utilized for cabinet faces. A variety of high pressure laminate wood grains, color options, and patterns from WilsonArt, Pionite, Formica and Nevamar are available. Edge in complimentary or brushed stainless PVC. Inspirations below:



Wilsonart kensington maple



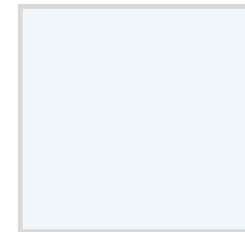
Wilsonart palisades oak



Wilsonart wild cherry



Pionite slate



Formica white



Wilsonart black



Wilsonart fashion grey



Formica white drops

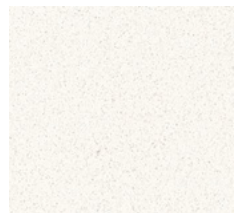


Formica white twill

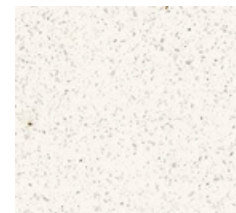


Wilsonart crisp linen

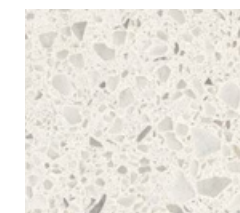
Solid surface & quartz options. Additional hues, tones and colors available.



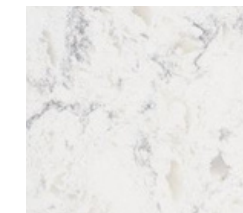
Corian - solid surface antarctica



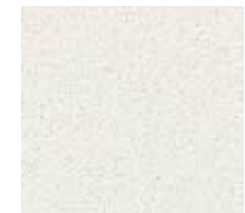
Corian - quartz cloud white



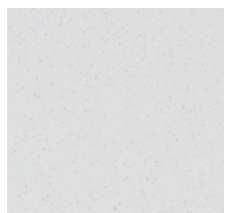
Caesarstone - quartz quartz nougat 6600



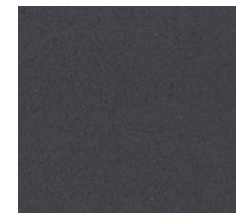
Corian - quartz snow drift



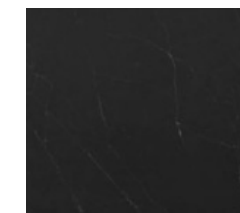
Daltile ONE - quartz woven wool



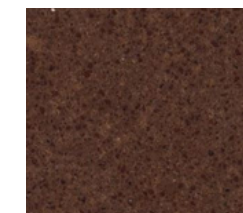
Caesarstone - quartz ocean foam



Cambria - quartz fieldstone



Corian - quartz portoro



Corian - quartz saddle brown

leg finishes

4 standard powder coat colors



platinum metallic



silver



black



furniture white

Powder coat color options with a nominal upcharge



traffic red



signal red



ruby red



lime green



grass green



moss green



sky blue



signal blue



navy blue



champagne metallic



flint



night bronze



satin nickel



gunmetal metallic



raw steel

Brushed stainless steel with an upcharge



standard features

power hub



TotalLock casters



power unit

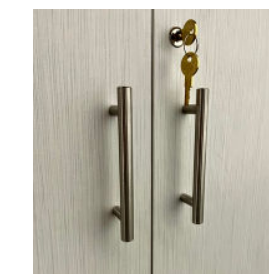


black

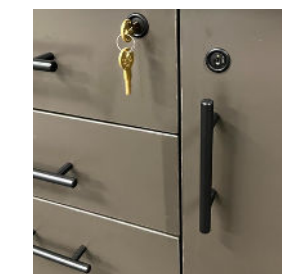


white

complimentary hardware with locking doors & drawers



brushed stainless



dark bronze

demonstration gallery

